


ALTW's New M12 Passive Distribution Boxes

Amphenol LTW introduces its new range of M12 Passive Distribution Boxes that will create optimum installations in the area of Industrial Automation. These M12 I/O boxes interface multiple devices to the control system and are a great way to increase flexibility and cut costs by reducing installation and troubleshooting time. They require less space than loose wires, look neater and more organized, and keep cable replacement simple in areas where cables are easily damaged.

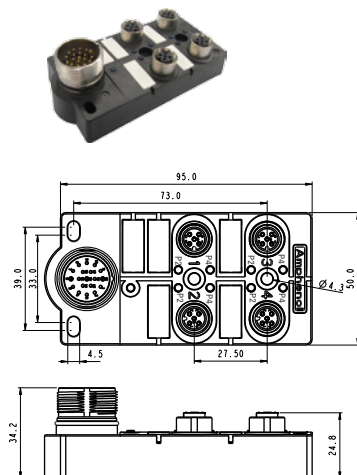
Designed with IP67 protection, the M12 Distribution Boxes are built for use in harsh industrial environments. The boxes are available with 4 and 5 Pin Sockets (A-Coded) in 4 and 8 ports configuration and accept industry-standard, threaded M12 connectors. All boxes utilize LEDs to display status and operation mode of the I/O ports and are equipped with removable identification label.

Benefits :

 <p>Cost-Effective</p>	 <p>Waterproof IP 67</p>
 <p>Saves Space · Narrower width for more space saving requirement</p>	 <p>Colored LED Display · for clearer signal status</p>
 <p>Harsh Environment</p>	 <p>M12 connectors In Different Codings Are Possible</p>
 <p>cUL Approval</p>	 <p>Fireproof (UL94V-0) rated</p>
 <p>Markings Available · Marked Pin outs on M12 & M23 Connectors for guaranteed wiring configuration on mating side.</p>	 <p>Safe & Protected · Grounded connectors for personal protection</p>
 <p>Possibility of Branding or Private Labeling</p>	 <p>Assembly Compatibility · Drilling holes conforming to other manufacturers' layout and with additional holes for customized arrangement</p>

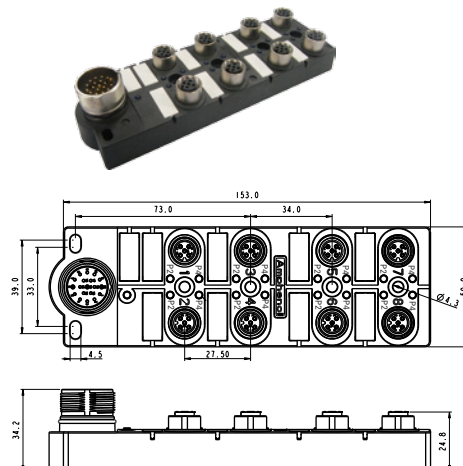
A DB12-5A4M23-DPS7001

M12 5Pin Fconn, 4 Port Distri Box to M23 Home-Run Conn, Dual Signal Output, PNP, IP67

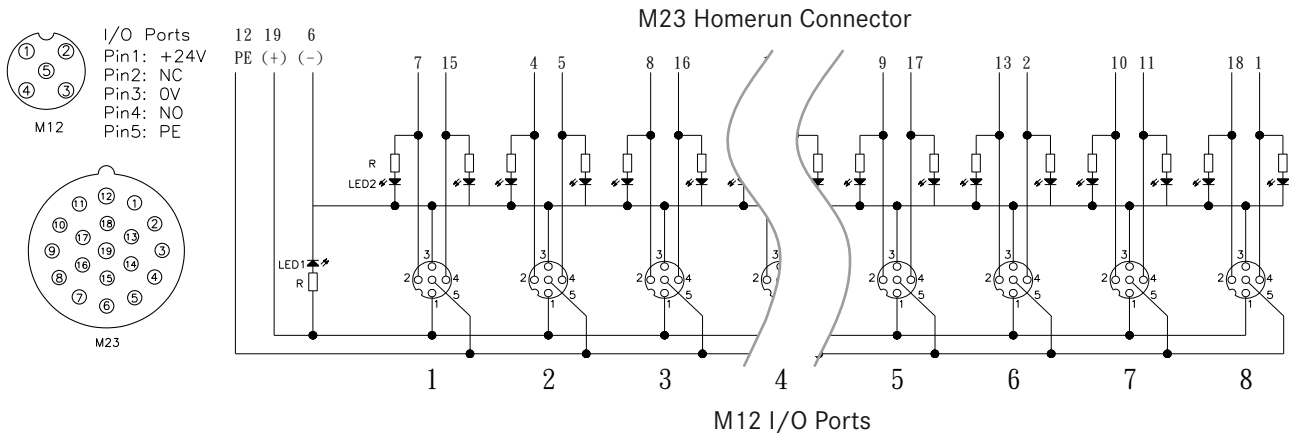


B DB12-5A8M23-DPS7001

M12 5Pin Fconn, 8 Port Distri Box to M23 Home-Run Conn, Dual Signal Output, PNP, IP67



Schematic Diagram



Specifications :

General Characteristics		
Sensor Connections	IEC 61076-2-101	M12, 5Pin Female Conn.
Controller Connection	-	M23, 19Pin Male Conn.
Mounting Type	-	4 * M4 + 2 add'l (8Port) 3 * M4 + 1 add'l (4Port)
Power Indicator	-	LED, Green
Function Indicator	-	LED, Yellow
Waterproof Rating	IEC 60529	IP 67 Mated
Technical Characteristics - Materials & Finishes		
Housing	UL 94V-0	PA66
Box	UL 94V-0	PA66
Contact	-	Copper Alloy
Contact Finish	-	Gold Plated
O-ring	UL 94V-0	Silicone
Shell	-	Zinc Die Cast, Nickel Plated
Technical Characteristics - Certificate/Approval		
cUL	-	Pending

Technical Characteristics - Electrical	
Current Load per Contact	2A
Current Sum max.	12A
Operating Voltage	24V DC Nominal (10~30V)
Switching Output	PNP
Switching Function	NO / NC
Technical Characteristics - Mechanical	
Operating temperature	-25 °C ~ +90°C
Storage Temperature	-30 °C ~ +105°C
M12 Insertion and withdrawal force	IEC 61076-2-101 Insertion: 10N; Withdrawal: 15N
M12 Mechanical Operation	IEC 61076-2-101 100X
Vibration	IEC 61076-2-101 10 to 500 Hz and 0.35mm

Accessories :

We offer a variety of accessories for the M12 Distribution Boxes which includes:

- Cordsets or Cable Assemblies
- Field attachable connectors
- Labels
- Sealing caps (Plastic & Metal)
- Splitters



For further information, please contact :



B.C.E. s.r.l.
Via Regina Pacis, 54/c - 41049 SASSUOLO (MO) Italy
Tel. +39 0536 811.616 r.a. - Fax +39 0536 811.500
www.bce.it - E-mail: bce@bce.it



About Amphenol LTW

Amphenol LTW has actively devoted to various outdoor and industrial applications by successfully developing high-end waterproof connectors to meet strict requirements; also has many worldwide patents and certification such as ISO 14001. ISO 9001 and NMEA 2000...etc.. Now Amphenol LTW is not merely a supplier of waterproof connectors but also a solution provider in diversified market segments.

Innovation in Waterproof Solution

* Design and specifications are subject to change without notice.