



**ANDON**  
INTERCONNECTION SPECIALISTS

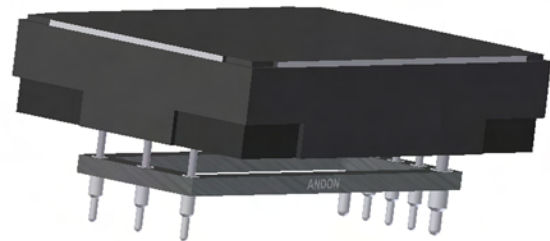
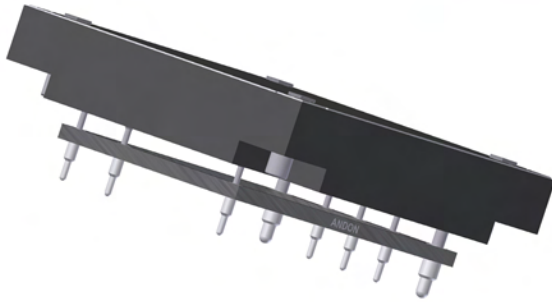


RoHS Compliant  
ISO 9001  
Certified

## CONVERTER SOCKETS FOR



**SynQor**<sup>®</sup>



**Largest Line of High Reliability Converter Sockets  
with Andon's Unique Contact**

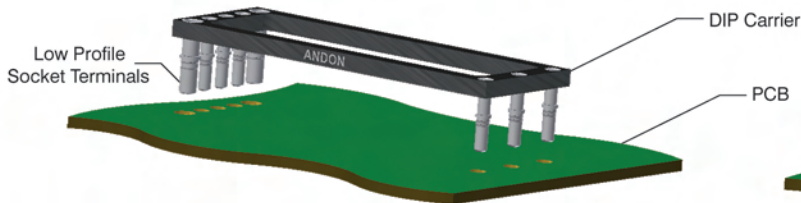
[www.andonelect.com](http://www.andonelect.com) or [www.andonelectronics.com](http://www.andonelectronics.com)

SynQor<sup>®</sup> is the Registered Trademark of **SynQor**<sup>®</sup>

**Fot SynQor Converter**

**LOW PROFILE REMOVABLE CARRIER INSTRUCTIONS**

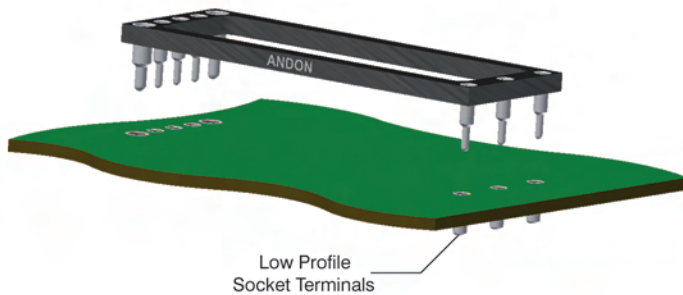
**1 CARRIER BEFORE SOLDERING**



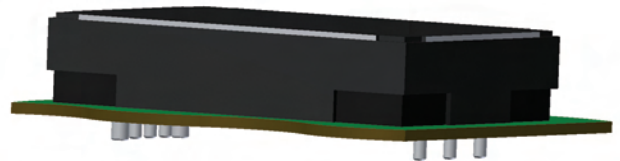
**2 LOAD ON PCB AND SOLDER SOCKET TERMINALS**



**3 REMOVE CARRIER AFTER SOLDERING**

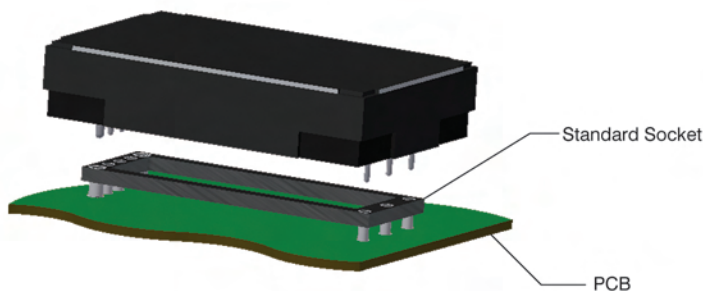


**4 PLUG DEVICE INTO SOCKET TERMINALS SOLDERED ON PCB**

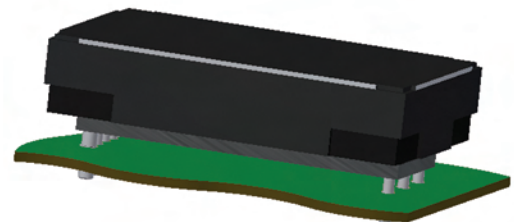


**STANDARD SOCKET INSTRUCTIONS**

**1 SOLDER SOCKET INTO PCB**



**2 PLUG DEVICE INTO SOCKET**



SynQor						
SynQor Model Number	Andon Part Number Replace "XXX" with Terminal Type	Terminal Type		Pin Ø [in]	Figure Number	Page Number
		Thru-Hole	Surface Mount			
BQ50120QTA20	CSP2000-05-03-XXX-R32-L14	502EP55	503EP55	.040/.062	D10	11
BQ50120QTA25	CSP2000-05-03-XXX-R32-L14	502EP55	503EP55	.040/.062	D10	11
BQ55090ETA27	CSP2000-05-03-XXX-R32-L14	502EP55	503EP55	.040/.062	D10	11
BQ55090QEA60	CSP2000-05-03-XXX-R32-L14	502EP55	503EP55	.040/.062	D10	11
BQ55090QPA40	CSP2000-05-03-XXX-R32-L14	502EP55	503EP55	.040/.062	D10	11
BQ55090QTA27	CSP2000-05-03-XXX-R32-L14	502EP55	503EP55	.040/.062	D10	11
BQ55120ETA20	CSP2000-05-03-XXX-R32-L14	502EP55	503EP55	.040/.062	D10	11
BQ55120ETL16	CSP2000-05-03-XXX-R32-L14	502EP55	503EP55	.040/.062	D10	11
BQ55120QEx50	CSP2000-05-03-XXX-R32-L14	502EP55	503EP55	.040/.062	D10	11
BQ60120HEA30	CSP1900-08-02-XXX-R32-L14	507EP72	508EP72	.040/.080	D03	9
CF12xxxQTxxx	CSP2000-08-01-XXX-R32-L14	502EP55	503EP55	.040/.062	D13	12
CF24xxxQTxxx	CSP2000-08-01-XXX-R32-L14	502EP55	503EP55	.040/.062	D13	12
CF48xxxQTxxx	CSP2000-08-01-XXX-R32-L14	502EP55	503EP55	.040/.062	D13	12
DQ61212QMA06	CSP2000-07-04-XXX-R32-L14	433E	285E	.040	D12	12
DQ62412QKA02	CSP2000-07-04-XXX-R32-L14	433E	285E	.040	D12	12
DQ63312QGL07	CSP2000-08-02-XXX-R32-L14	433E	285E	.040	D14	12
DQ63315QGL07	CSP2000-08-02-XXX-R32-L14	433E	285E	.040	D14	12
DQ63318QGL108	CSP2000-08-02-XXX-R32-L14	433E	285E	.040	D14	12
DQ63318QMQ0A	CSP2000-07-04-XXX-R32-L14	433E	285E	.040	D12	12
DQ63325QMA04	CSP2000-07-04-XXX-R32-L14	433E	285E	.040	D12	12
DQ63325QGL09	CSP2000-08-02-XXX-R32-L14	433E	285E	.040	D14	12
DQ65033QGL10	CSP2000-08-02-XXX-R32-L14	433E	285E	.040	D14	12
DQ65033QKA04	CSP2000-07-04-XXX-R32-L14	433E	285E	.040	D12	12
DQ65033QMA06	CSP2000-07-04-XXX-R32-L14	433E	285E	.040	D12	12
IQ040PFQTC30	CSP2000-06-01-XXX-R32-L14	502EP55	503EP55	.040/.062	D11	11
IQ080PFQTx20	CSP2000-06-01-XXX-R32-L14	502EP55	503EP55	.040/.062	D11	11
IQ12xxxHPXxxx	CSP1900-08-02-XXX-R32-L14	507EP72	508EP72	.040/.080	D03	9
IQ12xxxHTXxxx	CSP1900-08-02-XXX-R32-L14	507EP72	508EP72	.040/.080	D03	9
IQ12xxxQGXxxx	CSP2000-08-01-XXX-R32-L14	502EP55	503EP55	.040/.062	D13	12
IQ12xxxQTCxxx	CSP2000-08-01-XXX-R32-L14	502EP55	503EP55	.040/.062	D13	12
IQ12xxxSKXxxx	CSP1100-08-01-XXX-R32-L14	502EP55	503EP55	.040/.062	D01	9
IQ12xxxSMXxxx	CSP1100-08-01-XXX-R32-L14	502EP55	503EP55	.040/.062	D01	9
IQ18xxxQGXxxx	CSP2000-08-01-XXX-R32-L14	502EP55	503EP55	.040/.062	D13	12
IQ18xxxHPXxx	CSP1900-08-02-XXX-R32-L14	507EP72	508EP72	.040/.080	D03	9
IQ18xxxHTXxxx	CSP1900-08-02-XXX-R32-L14	507EP72	508EP72	.040/.080	D03	9
IQ18xxxQTCxx	CSP2000-08-01-XXX-R32-L14	502EP55	503EP55	.040/.062	D03	9
IQ18xxxSKXxxx	CSP1100-08-01-XXX-R32-L14	502EP55	503EP55	.040/.062	D01	9
IQ18xxxSMXxxx	CSP1100-08-01-XXX-R32-L14	502EP55	503EP55	.040/.062	D01	9
IQ24xxxHEXxx	CSP1900-08-02-XXX-R32-L14	507EP72	508EP72	.040/.080	D03	9
IQ24xxxHPXxxx	CSP1900-08-02-XXX-R32-L14	507EP72	508EP72	.040/.080	D03	9
IQ24xxxHTXxxx	CSP1900-08-02-XXX-R32-L14	507EP72	508EP72	.040/.080	D03	9
IQ24xxxHZXxx	CSP1900-10-01-XXX-R32-L14	507EP72	508EP72	.040/.080	D05	10
IQ24xxxQGXxxx	CSP2000-08-01-XXX-R32-L14	502EP55	503EP55	.040/.062	D13	12
IQ24xxxQMXXXX	CSP2000-08-01-XXX-R32-L14	502EP55	503EP55	.040/.062	D13	12
IQ24xxxQTXXXX	CSP2000-08-01-XXX-R32-L14	502EP55	503EP55	.040/.062	D13	12
IQ24xxxSKXXXX	CSP1100-08-01-XXX-R32-L14	502EP55	503EP55	.040/.062	D01	9
IQ24xxxSMXXXX	CSP1100-08-01-XXX-R32-L14	502EP55	503EP55	.040/.062	D01	9
IQ32xxxHPXXXX	CSP1900-08-02-XXX-R32-L14	507EP72	508EP72	.040/.080	D03	9
IQ32xxxHTXXXX	CSP1900-08-02-XXX-R32-L14	507EP72	508EP72	.040/.080	D03	9
IQ32xxxQGXxxx	CSP2000-08-01-XXX-R32-L14	502EP55	503EP55	.040/.062	D13	12
IQ32xxxQTXXXX	CSP2000-08-01-XXX-R32-L14	502EP55	503EP55	.040/.062	D13	12
IQ36xxxHPXXXX	CSP1900-08-02-XXX-R32-L14	507EP72	508EP72	.040/.080	D03	9
IQ36xxxHTXXXX	CSP1900-08-02-XXX-R32-L14	507EP72	508EP72	.040/.080	D03	9
IQ36xxxQGXxxx	CSP2000-08-01-XXX-R32-L14	502EP55	503EP55	.040/.062	D13	12
IQ36xxxSMXXXX	CSP1100-08-01-XXX-R32-L14	502EP55	503EP55	.040/.062	D01	9

\* FOR ULTRA LOW PROFILE THRU-HOLE ADD "9-" 9-CSPXXX-XX-XXX-R27-L14  
IN FRONT OF SURFACE MOUNT PART NUMBER

— SURFACE MOUNT TERMINAL

Surface Mount Terminals  
also can be used for  
Low Profile and Ultra Low Profile

©Copyright 2013 Andon Electronics Corporation. All Rights Reserved. This material is protected under US and other copyrights and may not be copied, sold, or redistributed in any form without written permission of Andon Electronics Corporation. Copyrights and trademarks are property of their respective companies. We reserve the right to change specifications without notice. Andon makes no warranty, expressed or implied, as to the suitability of the sockets for the intended purpose.

**"ANDON PROPRIETARY INFORMATION"**  
**RoHS Compliant**

\*Sockets are not drawn to scale SynQor 06/07/2013

SynQor Continued						
SynQor Model Number	Andon Part Number Replace "XXX" with Terminal Type	Terminal Type		Pin Ø [in]	Figure Number	Page Number
		Thru-Hole	Surface Mount			
IQ48xxxQGxxxx	CSP2000-08-01-XXX-R32-L14	502EP55	503EP55	.040/.062	D13	12
IQ48xxxHPxxxx	CSP1900-08-02-XXX-R32-L14	507EP72	508EP72	.040/.080	D03	9
IQ48xxxHTxxxx	CSP1900-08-02-XXX-R32-L14	507EP72	508EP72	.040/.080	D03	9
IQ48xxxHZxxxx	CSP1900-08-02-XXX-R32-L14	507EP72	508EP72	.040/.080	D03	9
IQ48xxxQTxxxx	CSP2000-08-01-XXX-R32-L14	502EP55	503EP55	.040/.062	D13	12
IQ48xxxSKxxxx	CSP1100-08-01-XXX-R32-L14	502EP55	503EP55	.040/.062	D01	9
IQ48xxxSMxxxx	CSP1100-08-01-XXX-R32-L14	502EP55	503EP55	.040/.062	D01	9
IQ4HxxxFTxxxx	CSP4200-18-01-XXX-R32-L14	507EP72	508EP72	.040/.082	D17	13
IQ4HxxxHTxxxx	CSP1900-11-01-XXX-R32-L14	507EP72	508EP72	.040/.080	D07	10
IQ4HxxxQTxxxx	CSP2000-08-01-XXX-R32-L14	502EP55	503EP55	.040/.062	D13	12
IQ500PFQTC04	CSP2000-06-01-XXX-R32-L14	502EP55	503EP55	.040/.062	D11	11
IQ64xxxHPxxxx	CSP1900-08-02-XXX-R32-L14	507EP72	508EP72	.040/.080	D03	9
IQ64xxxQGxxx	CSP2000-08-01-XXX-R32-L14	502EP55	503EP55	.040/.062	D13	12
IQ64xxxQTxxxx	CSP2000-08-01-XXX-R32-L14	502EP55	503EP55	.040/.062	D13	12
IQ65033QMA10	CSP2000-18-01-XXX-R32-L14	433E	285E	.040	D16	12
IQ68xxxHGxxxx	CSP1900-08-02-XXX-R32-L14	507EP72	508EP72	.040/.080	D03	9
IQ70xxxHPxxx	CSP1900-08-02-XXX-R32-L14	507EP72	508EP72	.040/.080	D03	9
IQ70xxxQTxxx	CSP2000-08-01-XXX-R32-L14	502EP55	503EP55	.040/.062	D13	12
IQ72xxxHPxxx	CSP1900-08-02-XXX-R32-L14	507EP72	508EP72	.040/.080	D03	9
IQ72xxxQGxxxx	CSP2000-08-01-XXX-R32-L14	502EP55	503EP55	.040/.062	D13	12
IQ72xxxQTxxx	CSP2000-08-01-XXX-R32-L14	502EP55	503EP55	.040/.062	D13	12
IQ90xxxQGxxxx	CSP2000-08-01-XXX-R32-L14	502EP55	503EP55	.040/.062	D13	12
IQ90xxxHPxxx	CSP1900-08-02-XXX-R32-L14	507EP72	508EP72	.040/.080	D03	9
IQ90xxxQMxxxx	CSP2000-08-01-XXX-R32-L14	502EP55	503EP55	.040/.062	D13	12
IQ90xxxQTxxx	CSP2000-08-01-XXX-R32-L14	502EP55	503EP55	.040/.062	D13	12
IQ200PFQTC10	CSP2000-06-01-XXX-R32-L14	502EP55	503EP55	.040/.062	D11	11
IQ1BxxxHPxxxx	CSP1900-08-02-XXX-R32-L14	507EP72	508EP72	.040/.080	D03	9
IQ1BxxxQGxxxx	CSP2000-08-01-XXX-R32-L14	502EP55	503EP55	.040/.062	D13	12
IQ1BxxxQTxxxx	CSP2000-08-01-XXX-R32-L14	502EP55	503EP55	.040/.062	D13	12
MCOTS-C-28-05-HP	CSP1900-08-02-XXX-R32-L14	507EP72	508EP72	.040/.080	D03	9
MCOTS-C-28-05-QT	CSP2000-08-01-XXX-R32-L14	502EP55	503EP55	.040/.062	D13	12
MCOTS-C-28-05-SM	CSP1100-08-01-XXX-R32-L14	502EP55	503EP55	.040/.062	D01	9
MCOTS-C-28-07-QT	CSP2000-08-01-XXX-R32-L14	502EP55	503EP55	.040/.062	D13	12
MCOTS-C-28-07-SM	CSP1100-08-01-XXX-R32-L14	502EP55	503EP55	.040/.062	D01	9
MCOTS-C-28-12-HP	CSP1900-08-02-XXX-R32-L14	507EP72	508EP72	.040/.080	D03	9
MCOTS-C-28-12-HZ	CSP1900-10-01-XXX-R32-L14	507EP72	508EP72	.040/.080	D05	10
MCOTS-C-28-12-QT	CSP2000-08-01-XXX-R32-L14	502EP55	503EP55	.040/.062	D13	12
MCOTS-C-28-12-SM	CSP1100-08-01-XXX-R32-L14	502EP55	503EP55	.040/.062	D01	9
MCOTS-C-28-15-HP	CSP1900-08-02-XXX-R32-L14	507EP72	508EP72	.040/.080	D03	9
MCOTS-C-28-15-QT	CSP2000-08-01-XXX-R32-L14	502EP55	503EP55	.040/.062	D13	12
MCOTS-C-28-15-SM	CSP1100-08-01-XXX-R32-L14	502EP55	503EP55	.040/.062	D01	9
MCOTS-C-28-24-HP	CSP1900-08-02-XXX-R32-L14	507EP72	508EP72	.040/.080	D03	9
MCOTS-C-28-24-QT	CSP2000-08-01-XXX-R32-L14	502EP55	503EP55	.040/.062	D13	12
MCOTS-C-28-28-HP	CSP1900-08-02-XXX-R32-L14	507EP72	508EP72	.040/.080	D03	9
MCOTS-C-28-28-HZ	CSP1900-10-01-XXX-R32-L14	507EP72	508EP72	.040/.080	D05	10
MCOTS-C-28-28-QT	CSP2000-08-01-XXX-R32-L14	502EP55	503EP55	.040/.062	D13	12
MCOTS-C-28-40-HP	CSP1900-08-02-XXX-R32-L14	507EP72	508EP72	.040/.080	D03	9
MCOTS-C-28-48-HP	CSP1900-10-01-XXX-R32-L14	507EP72	508EP72	.040/.080	D05	10
MCOTS-C-28-48-QT	CSP2000-08-01-XXX-R32-L14	502EP55	503EP55	.040/.062	D13	12
MCOTS-C-28-50-HZ	CSP1900-10-01-XXX-R32-L14	507EP72	508EP72	.040/.080	D05	10
MCOTS-C-48-05-HP	CSP1900-08-02-XXX-R32-L14	507EP72	508EP72	.040/.080	D03	9
MCOTS-C-48-05-QT	CSP2000-08-01-XXX-R32-L14	502EP55	503EP55	.040/.062	D13	12
MCOTS-C-48-05-SM	CSP1100-08-01-XXX-R32-L14	502EP55	503EP55	.040/.062	D01	9
MCOTS-C-48-07-QT	CSP2000-08-01-XXX-R32-L14	502EP55	503EP55	.040/.062	D13	12
MCOTS-C-48-07-SM	CSP1100-08-01-XXX-R32-L14	502EP55	503EP55	.040/.062	D01	9
MCOTS-C-48-12-HP	CSP1900-08-02-XXX-R32-L14	507EP72	508EP72	.040/.080	D03	9

\* FOR ULTRA LOW PROFILE THRU-HOLE ADD "9-" 9-CSPXXX-XX-XX-XXX-R27-L14  
IN FRONT OF SURFACE MOUNT PART NUMBER

SURFACE MOUNT TERMINAL

Surface Mount Terminals  
also can be used for  
Low Profile and Ultra Low Profile

©Copyright 2013 Andon Electronics Corporation. All Rights Reserved. This material is protected under US and other copyrights and may not be copied, sold, or redistributed in any form without written permission of Andon Electronics Corporation. Copyrights and trademarks are property of their respective companies. We reserve the right to change specifications without notice. Andon makes no warranty, expressed or implied, as to the suitability of the sockets for the intended purpose.

**"ANDON PROPRIETARY INFORMATION"**  
**RoHS Compliant**

\*Sockets are not drawn to scale SynQor 06/07/2013

SynQor Continued						
SynQor Model Number	Andon Part Number Replace "XXX" with Terminal Type	Terminal Type		Pin Ø [in]	Figure Number	Page Number
		Thru-Hole	Surface Mount			
MCOTS-C-48-12-QT	CSP2000-08-01-XXX-R32-L14	502EP55	503EP55	.040/.062	D13	12
MCOTS-C-48-12-SM	CSP1100-08-01-XXX-R32-L14	502EP55	503EP55	.040/.062	D01	9
MCOTS-C-48-15-HP	CSP1900-08-02-XXX-R32-L14	507EP72	508EP72	.040/.080	D03	9
MCOTS-C-48-15-QT	CSP2000-08-01-XXX-R32-L14	502EP55	503EP55	.040/.062	D13	12
MCOTS-C-48-15-SM	CSP1100-08-01-XXX-R32-L14	502EP55	503EP55	.040/.062	D01	9
MCOTS-C-48-24-HP	CSP1900-08-02-XXX-R32-L14	507EP72	508EP72	.040/.080	D03	9
MCOTS-C-48-24-QT	CSP2000-08-01-XXX-R32-L14	502EP55	503EP55	.040/.062	D13	12
MCOTS-C-48-28-HP	CSP1900-08-02-XXX-R32-L14	507EP72	508EP72	.040/.080	D03	9
MCOTS-C-48-30-QT	CSP2000-08-01-XXX-R32-L14	502EP55	503EP55	.040/.062	D13	12
MCOTS-C-48-40-HP	CSP1900-08-02-XXX-R32-L14	507EP72	508EP72	.040/.080	D03	9
MCOTS-C-48-48-HP	CSP1900-08-02-XXX-R32-L14	507EP72	508EP72	.040/.080	D03	9
MCOTS-C-48-48-QT	CSP2000-08-01-XXX-R32-L14	502EP55	503EP55	.040/.062	D13	12
MCOTS-C-270-05-QT	CSP2000-08-01-XXX-R32-L14	502EP55	503EP55	.040/.062	D13	12
MCOTS-C-270-12-HT	CSP1900-08-02-XXX-R32-L14	507EP72	508EP72	.040/.080	D03	9
MCOTS-C-270-12-QT	CSP2000-08-01-XXX-R32-L14	502EP55	503EP55	.040/.062	D13	12
MCOTS-C-270-15-QT	CSP2000-08-01-XXX-R32-L14	502EP55	503EP55	.040/.062	D13	12
MCOTS-C-270-24-QT	CSP2000-08-01-XXX-R32-L14	502EP55	503EP55	.040/.062	D13	12
MCOTS-C-270-28-FT	CSP4200-18-01-XXX-R32-L14	507EP72	508EP72	.040/.080	D17	13
MCOTS-C-270-28-HT	CSP1900-11-01-XXX-R32-L14	507EP72	508EP72	.040/.080	D07	10
MCOTS-C-270-28-QT	CSP2000-08-01-XXX-R32-L14	502EP55	503EP55	.040/.062	D13	12
MCOTS-C-270-48-HT	CSP1900-11-01-XXX-R32-L14	507EP72	508EP72	.040/.080	D07	10
MCOTS-C-270-48-QT	CSP2000-08-01-XXX-R32-L14	502EP55	503EP55	.040/.062	D13	12
MCOTS-C-28-1R2-SM	CSP1100-08-01-XXX-R32-L14	502EP55	503EP55	.040/.062	D01	9
MCOTS-C-28-1R5-SM	CSP1100-08-01-XXX-R32-L14	502EP55	503EP55	.040/.062	D01	9
MCOTS-C-28-1R8-HP	CSP1900-08-02-XXX-R32-L14	507EP72	508EP72	.040/.080	D03	9
MCOTS-C-28-1R8-QT	CSP2000-08-01-XXX-R32-L14	502EP55	503EP55	.040/.062	D13	12
MCOTS-C-28-1R8-SM	CSP1100-08-01-XXX-R32-L14	502EP55	503EP55	.040/.062	D01	9
MCOTS-C-28-2R5-SM	CSP1100-08-01-XXX-R32-L14	502EP55	503EP55	.040/.062	D01	9
MCOTS-C-28V-05-HP	CSP1900-11-01-XXX-R32-L14	507EP72	508EP72	.040/.080	D07	10
MCOTS-C-28V-05-QT	CSP2000-08-01-XXX-R32-L14	502EP55	503EP55	.040/.062	D13	12
MCOTS-C-28V-12-HP	CSP1900-11-01-XXX-R32-L14	507EP72	508EP72	.040/.080	D07	10
MCOTS-C-28V-15-QT	CSP2000-08-01-XXX-R32-L14	502EP55	503EP55	.040/.062	D13	12
MCOTS-C-28V-24-QT	CSP2000-08-01-XXX-R32-L14	502EP55	503EP55	.040/.062	D13	12
MCOTS-C-28V-28-HP	CSP1900-08-02-XXX-R32-L14	507EP72	508EP72	.040/.080	D03	9
MCOTS-C-28V-28-HZ	CSP1900-10-01-XXX-R32-L14	507EP72	508EP72	.040/.080	D05	10
MCOTS-C-28V-48-HP	CSP1900-08-02-XXX-R32-L14	507EP72	508EP72	.040/.080	D03	9
MCOTS-C-28V-12-QT	CSP2000-08-01-XXX-R32-L14	502EP55	503EP55	.040/.062	D13	12
MCOTS-C-28V-1R8-QT	CSP2000-08-01-XXX-R32-L14	502EP55	503EP55	.040/.062	D13	12
MCOTS-C-28V-3R3-QT	CSP2000-08-01-XXX-R32-L14	502EP55	503EP55	.040/.062	D13	12
MCOTS-C-28VE-12-HP	CSP1900-11-01-XXX-R32-L14	507EP72	508EP72	.040/.080	D07	10
MCOTS-C-28VE-12-QT	CSP2000-08-01-XXX-R32-L14	502EP55	503EP55	.040/.062	D13	12
MCOTS-C-28VE-28-HP	CSP1900-11-01-XXX-R32-L14	507EP72	508EP72	.040/.080	D07	10
MCOTS-C-28VE-28-QT	CSP2000-08-01-XXX-R32-L14	502EP55	503EP55	.040/.062	D13	12
MCOTS-C-28VE-50-HZ	CSP1900-10-01-XXX-R32-L14	507EP72	508EP72	.040/.080	D05	10
MCOTS-C-28-3R3-HP	CSP1900-08-02-XXX-R32-L14	507EP72	508EP72	.040/.080	D03	9
MCOTS-C-28-3R3-QT	CSP2000-08-01-XXX-R32-L14	502EP55	503EP55	.040/.062	D13	12
MCOTS-C-28-3R3-SM	CSP1100-08-01-XXX-R32-L14	502EP55	503EP55	.040/.060	D01	9
MCOTS-C-48-1R2-SM	CSP1100-08-01-XXX-R32-L14	502EP55	503EP55	.040/.062	D01	9
MCOTS-C-48-1R5-SM	CSP1100-08-01-XXX-R32-L14	502EP55	503EP55	.040/.062	D01	9
MCOTS-C-48-1R8-HP	CSP1900-08-02-XXX-R32-L14	507EP72	508EP72	.040/.080	D03	9
MCOTS-C-48-1R8-QT	CSP2000-08-01-XXX-R32-L14	502EP55	503EP55	.040/.062	D13	12
MCOTS-C-48-1R8-SM	CSP1100-08-01-XXX-R32-L14	502EP55	503EP55	.040/.062	D01	9
MCOTS-C-48-2R5-SM	CSP1100-08-01-XXX-R32-L14	502EP55	503EP55	.040/.062	D01	9
MCOTS-C-48-3R3-HP	CSP1900-08-02-XXX-R32-L14	507EP72	508EP72	.040/.080	D03	9
MCOTS-C-48-3R3-QT	CSP2000-08-01-XXX-R32-L14	502EP55	503EP55	.040/.062	D13	12

\* FOR ULTRA LOW PROFILE THRU-HOLE ADD "9-" IN FRONT OF SURFACE MOUNT PART NUMBER

9-CSPXXX-XX-XX-XXX-R27-L14

— SURFACE MOUNT TERMINAL

Surface Mount Terminals also can be used for Low Profile and Ultra Low Profile

©Copyright 2013 Andon Electronics Corporation. All Rights Reserved. This material is protected under US and other copyrights and may not be copied, sold, or redistributed in any form without written permission of Andon Electronics Corporation. Copyrights and trademarks are property of their respective companies. We reserve the right to change specifications without notice. Andon makes no warranty, expressed or implied, as to the suitability of the sockets for the intended purpose.

**"ANDON PROPRIETARY INFORMATION"**  
**RoHS Compliant**

\*Sockets are not drawn to scale SynQor 06/07/2013

SynQor Continued						
SynQor Model Number	Andon Part Number Replace "XXX" with Terminal Type	Terminal Type		Pin Ø [in]	Figure Number	Page Number
		Thru-Hole	Surface Mount			
MCOTS-C-48-3R3-SM	CSP1100-08-01-XXX-R32-L14	502EP55	503EP55	.040/.062	D01	9
MCOTS-C-270-3R3-QT	CSP2000-08-01-XXX-R32-L14	502EP55	503EP55	.040/.062	D13	12
MCOTS-F-28-P-QT	CSP2000-06-01-XXX-R32-L14	502EP55	503EP55	.040/.062	D11	11
MCOTS-F-28-T-HT	CSP1900-10-01-XXX-R32-L14	507EP72	508EP72	.040/.080	D05	10
MCOTS-F-48-P-QT	CSP2000-06-01-XXX-R32-L14	502EP55	503EP55	.040/.062	D11	11
MCOTS-F-270-P-QT	CSP2000-06-01-XXX-R32-L14	502EP55	503EP55	.040/.062	D11	11
MQBL-28-05S	CSP1200-12-01-XXX-R32-L14	433E	285E	.040	D02	9
MQFB-270-28B	(2)C20-006-06-01-XXX-R32-L14	433E	285E	.040	S02	9
MQFL-28-05D	(2)C20-006-06-01-XXX-R32-L14	433E	285E	.040	S02	9
MQFL-28-05S	(2)C20-006-06-01-XXX-R32-L14	433E	285E	.040	S02	9
MQFL-28-06S	(2)C20-006-06-01-XXX-R32-L14	433E	285E	.040	S02	9
MQFL-28-09S	(2)C20-006-06-01-XXX-R32-L14	433E	285E	.040	S02	9
MQFL-28-12D	(2)C20-006-06-01-XXX-R32-L14	433E	285E	.040	S02	9
MQFL-28-12S	(2)C20-006-06-01-XXX-R32-L14	433E	285E	.040	S02	9
MQFL-28-15D	(2)C20-006-06-01-XXX-R32-L14	433E	285E	.040	S02	9
MQFL-28-15S	(2)C20-006-06-01-XXX-R32-L14	433E	285E	.040	S02	9
MQFL-28-28-S	(2)C20-006-06-01-XXX-R32-L14	433E	285E	.040	S02	9
MQFL-28-1R5S	(2)C20-006-06-01-XXX-R32-L14	433E	285E	.040	S02	9
MQFL-28-1R8S	(2)C20-006-06-01-XXX-R32-L14	433E	285E	.040	S02	9
MQFL-28E-2R5S	(2)C20-006-06-01-XXX-R32-L14	433E	285E	.040	S02	9
MQFL-28-3R3S	(2)C20-006-06-01-XXX-R32-L14	433E	285E	.040	S02	9
MQFL-28-7R5S	(2)C20-006-06-01-XXX-R32-L14	433E	285E	.040	S02	9
MQFL-28E-05D	(2)C20-006-06-01-XXX-R32-L14	433E	285E	.040	S02	9
MQFL-28E-05S	(2)C20-006-06-01-XXX-R32-L14	433E	285E	.040	S02	9
MQFL-28E-06S	(2)C20-006-06-01-XXX-R32-L14	433E	285E	.040	S02	9
MQFL-28E-09S	(2)C20-006-06-01-XXX-R32-L14	433E	285E	.040	S02	9
MQFL-28E-12D	(2)C20-006-06-01-XXX-R32-L14	433E	285E	.040	S02	9
MQFL-28E-12S	(2)C20-006-06-01-XXX-R32-L14	433E	285E	.040	S02	9
MQFL-28E-15D	(2)C20-006-06-01-XXX-R32-L14	433E	285E	.040	S02	9
MQFL-28E-15S	(2)C20-006-06-01-XXX-R32-L14	433E	285E	.040	S02	9
MQFL-28E-28S	(2)C20-006-06-01-XXX-R32-L14	433E	285E	.040	S02	9
MQFL-28E-1R5S	(2)C20-006-06-01-XXX-R32-L14	433E	285E	.040	S02	9
MQFL-28E-1R8S	(2)C20-006-06-01-XXX-R32-L14	433E	285E	.040	S02	9
MQFL-28E-3R3S	(2)C20-006-06-01-XXX-R32-L14	433E	285E	.040	S02	9
MQFL-28E-7R5S	(2)C20-006-06-01-XXX-R32-L14	433E	285E	.040	S02	9
MQFL-28V-05S	(2)C20-006-06-01-XXX-R32-L14	433E	285E	.040	S02	9
MQFL-28V-06S	(2)C20-006-06-01-XXX-R32-L14	433E	285E	.040	S02	9
MQFL-28V-09S	(2)C20-006-06-01-XXX-R32-L14	433E	285E	.040	S02	9
MQFL-28V-12S	(2)C20-006-06-01-XXX-R32-L14	433E	285E	.040	S02	9
MQFL-28V-15S	(2)C20-006-06-01-XXX-R32-L14	433E	285E	.040	S02	9
MQFL-28V-28S	(2)C20-006-06-01-XXX-R32-L14	433E	285E	.040	S02	9
MQFL-28V-1R5S	(2)C20-006-06-01-XXX-R32-L14	433E	285E	.040	S02	9
MQFL-28V-1R8S	(2)C20-006-06-01-XXX-R32-L14	433E	285E	.040	S02	9
MQFL-28V-2R5S	(2)C20-006-06-01-XXX-R32-L14	433E	285E	.040	S02	9
MQFL-28V-3R3S	(2)C20-006-06-01-XXX-R32-L14	433E	285E	.040	S02	9
MQFL-28V-7R5S	(2)C20-006-06-01-XXX-R32-L14	433E	285E	.040	S02	9
MQFL-28VE-05S	(2)C20-006-06-01-XXX-R32-L14	433E	285E	.040	S02	9
MQFL-28VE-06S	(2)C20-006-06-01-XXX-R32-L14	433E	285E	.040	S02	9
MQFL-28VE-09S	(2)C20-006-06-01-XXX-R32-L14	433E	285E	.040	S02	9
MQFL-28VE-12S	(2)C20-006-06-01-XXX-R32-L14	433E	285E	.040	S02	9
MQFL-28VE-15S	(2)C20-006-06-01-XXX-R32-L14	433E	285E	.040	S02	9
MQFL-28VE-28S	(2)C20-006-06-01-XXX-R32-L14	433E	285E	.040	S02	9
MQFL-28VE-1R5S	(2)C20-006-06-01-XXX-R32-L14	433E	285E	.040	S02	9
MQFL-28VE-1R8S	(2)C20-006-06-01-XXX-R32-L14	433E	285E	.040	S02	9
MQFL-28VE-2R5S	(2)C20-006-06-01-XXX-R32-L14	433E	285E	.040	S02	9

\* FOR ULTRA LOW PROFILE THRU-HOLE ADD "9-"  
IN FRONT OF SURFACE MOUNT PART NUMBER

9-CSPXXX-XX-XX-XXX-R27-L14

— SURFACE MOUNT TERMINAL

Surface Mount Terminals  
also can be used for  
Low Profile and Ultra Low Profile

©Copyright 2013 Andon Electronics Corporation. All Rights Reserved. This material is protected under US and other copyrights and may not be copied, sold, or redistributed in any form without written permission of Andon Electronics Corporation. Copyrights and trademarks are property of their respective companies. We reserve the right to change specifications without notice. Andon makes no warranty, expressed or implied, as to the suitability of the sockets for the intended purpose.

**"ANDON PROPRIETARY INFORMATION"**  
**RoHS Compliant**

\*Sockets are not drawn to scale SynQor 06/07/2013

SynQor Continued						
SynQor Model Number	Andon Part Number Replace "XXX" with Terminal Type	Terminal Type		Pin Ø [in]	Figure Number	Page Number
		Thru-Hole	Surface Mount			
MQFL-28VE-3R3S	(2)C20-006-06-01-XXX-R32-L14	433E	285E	.040	S02	9
MQFL-28VE-7R5S	(2)C20-006-06-01-XXX-R32-L14	433E	285E	.040	S02	9
MQFL-270-05D	(2)C20-006-06-01-XXX-R32-L14	433E	285E	.040	S02	9
MQFL-270-05S	(2)C20-006-06-01-XXX-R32-L14	433E	285E	.040	S02	9
MQFL-270-06S	(2)C20-006-06-01-XXX-R32-L14	433E	285E	.040	S02	9
MQFL-270-09S	(2)C20-006-06-01-XXX-R32-L14	433E	285E	.040	S02	9
MQFL-270-12D	(2)C20-006-06-01-XXX-R32-L14	433E	285E	.040	S02	9
MQFL-270-12S	(2)C20-006-06-01-XXX-R32-L14	433E	285E	.040	S02	9
MQFL-270-15S	(2)C20-006-06-01-XXX-R32-L14	433E	285E	.040	S02	9
MQFL-270-28S	(2)C20-006-06-01-XXX-R32-L14	433E	285E	.040	S02	9
MQFL-270-3R3S	(2)C20-006-06-01-XXX-R32-L14	433E	285E	.040	S02	9
MQHE-28E-P	(2)C20-006-06-01-XXX-R32-L14	433E	285E	.040	S02	9
MQHE-28-P	(2)C20-006-06-01-XXX-R32-L14	433E	285E	.040	S02	9
MQHL-28-05D	(2)C20-006-06-01-XXX-R32-L14	433E	285E	.040	S02	9
MQHL-28-05S	(2)C20-006-06-01-XXX-R32-L14	433E	285E	.040	S02	9
MQHL-28-06S	(2)C20-006-06-01-XXX-R32-L14	433E	285E	.040	S02	9
MQHL-28-09S	(2)C20-006-06-01-XXX-R32-L14	433E	285E	.040	S02	9
MQHL-28-12S	(2)C20-006-06-01-XXX-R32-L14	433E	285E	.040	S02	9
MQHL-28-15D	(2)C20-006-06-01-XXX-R32-L14	433E	285E	.040	S02	9
MQHL-28-15S	(2)C20-006-06-01-XXX-R32-L14	433E	285E	.040	S02	9
MQHL-28-28S	(2)C20-006-06-01-XXX-R32-L14	433E	285E	.040	S02	9
MQHL-28-3R3S	(2)C20-006-06-01-XXX-R32-L14	433E	285E	.040	S02	9
MQHL-28-7R5S	(2)C20-006-06-01-XXX-R32-L14	433E	285E	.040	S02	9
MQHL-28E-05D	(2)C20-006-06-01-XXX-R32-L14	433E	285E	.040	S02	9
MQHL-28E-05S	(2)C20-006-06-01-XXX-R32-L14	433E	285E	.040	S02	9
MQHL-28E-12S	(2)C20-006-06-01-XXX-R32-L14	433E	285E	.040	S02	9
MQHL-28E-28S	(2)C20-006-06-01-XXX-R32-L14	433E	285E	.040	S02	9
MQHL-28E-2R5S	(2)C20-006-06-01-XXX-R32-L14	433E	285E	.040	S02	9
MQHR-28-05D	(2)C20-006-06-01-XXX-R32-L14	433E	285E	.040	S02	9
MQHR-28-05S	(2)C20-006-06-01-XXX-R32-L14	433E	285E	.040	S02	9
MQHR-28-12S	(2)C20-006-06-01-XXX-R32-L14	433E	285E	.040	S02	9
MQHR-28-15S	(2)C20-006-06-01-XXX-R32-L14	433E	285E	.040	S02	9
MQHR-28-28S	(2)C20-006-06-01-XXX-R32-L14	433E	285E	.040	S02	9
MQHR-28-3R3S	(2)C20-006-06-01-XXX-R32-L14	433E	285E	.040	S02	9
MQHR-28E-12S	(2)C20-006-06-01-XXX-R32-L14	433E	285E	.040	S02	9
MQME-28-P	(2)C20-006-06-01-XXX-R32-L14	433E	285E	.040	S02	9
MQME-28-T	(2)C20-006-06-01-XXX-R32-L14	433E	285E	.040	S02	9
MQME-270-P	(2)C20-006-06-01-XXX-R32-L14	433E	285E	.040	S02	9
MQME-28E-P	(2)C20-006-06-01-XXX-R32-L14	433E	285E	.040	S02	9
MQME-28E-T	(2)C20-006-06-01-XXX-R32-L14	433E	285E	.040	S02	9
NQ16W50xMA16	C10-20-12-01-XXX-R32-L14	441V	442V	.030	S01	8
NQ40x40EGx08	CSP2000-08-01-XXX-R32-L14	502EP55	503EP55	.040/.062	D13	12
NQ40x40ETx15	CSP2000-08-01-XXX-R32-L14	502EP55	503EP55	.040/.062	D13	12
NQ40x40HGx60	CSP1900-10-01-XXX-R32-L14	507EP72	508EP72	.040/.080	D05	10
NQ40x40QGx30	CSP2000-08-01-XXX-R32-L14	502EP55	503EP55	.040/.062	D13	12
PQ24018QGA25	CSP2000-08-01-XXX-R32-L14	502EP55	503EP55	.040/.062	D13	12
PQ24033QGA25	CSP2000-08-01-XXX-R32-L14	502EP55	503EP55	.040/.062	D13	12
PQ24033QGL25	CSP2000-08-01-XXX-R32-L14	502EP55	503EP55	.040/.062	D13	12
PQ24050QGA20	CSP2000-08-01-XXX-R32-L14	502EP55	503EP55	.040/.062	D13	12
PQ24120QGA08	CSP2000-08-01-XXX-R32-L14	502EP55	503EP55	.040/.062	D13	12
PQ24150QGA07	CSP2000-08-01-XXX-R32-L14	502EP55	503EP55	.040/.062	D13	12
PQ24280FTx22	CSP4200-18-01-XXX-R32-L14	507EP72	508EP72	.040/.080	D17	13
PQ30033EGA20	CSP2000-08-01-XXX-R32-L14	502EP55	503EP55	.040/.062	D13	12
PQ30033QGA25	CSP2000-08-01-XXX-R32-L14	502EP55	503EP55	.040/.062	D13	12
PQ30033QGA30	CSP2000-08-01-XXX-R32-L14	502EP55	503EP55	.040/.062	D13	12

\* FOR ULTRA LOW PROFILE THRU-HOLE ADD "9-" IN FRONT OF SURFACE MOUNT PART NUMBER

9-CSPXXX-XX-XX-XXX-R27-L14

SURFACE MOUNT TERMINAL

Surface Mount Terminals also can be used for Low Profile and Ultra Low Profile

©Copyright 2013 Andon Electronics Corporation. All Rights Reserved. This material is protected under US and other copyrights and may not be copied, sold, or redistributed in any form without written permission of Andon Electronics Corporation. Copyrights and trademarks are property of their respective companies. We reserve the right to change specifications without notice. Andon makes no warranty, expressed or implied, as to the suitability of the sockets for the intended purpose.

**"ANDON PROPRIETARY INFORMATION"**  
**RoHS Compliant**

\*Sockets are not drawn to scale SynQor 06/07/2013

SynQor Continued						
SynQor Model Number	Andon Part Number Replace "XXX" with Terminal Type	Terminal Type		Pin Ø [in]	Figure Number	Page Number
		Thru-Hole	Surface Mount			
PQ40033QGA25	CSP2000-08-01-XXX-R32-L14	502EP55	503EP55	.040/.062	D13	12
PQ40080QGA09	CSP2000-08-01-XXX-R32-L14	502EP55	503EP55	.040/.062	D13	12
PQ40120QGA08	CSP2000-08-01-XXX-R32-L14	502EP55	503EP55	.040/.062	D13	12
PQ40150QGA07	CSP2000-08-01-XXX-R32-L14	502EP55	503EP55	.040/.062	D13	12
PQ48015HGA40	CSP1900-12-01-XXX-R32-L14	507EP72	508EP72	.040/.080	D08	11
PQ48015HKA20	CSP1900-12-01-XXX-R32-L14	507EP72	508EP72	.040/.080	D08	11
PQ48015HMA30	CSP1900-12-01-XXX-R32-L14	507EP72	508EP72	.040/.080	D08	11
PQ48015HTA60	CSP1900-12-01-XXX-R32-L14	507EP72	508EP72	.040/.080	D08	11
PQ48015QGA25	CSP2000-08-01-XXX-R32-L14	502EP55	503EP55	.040/.080	D13	12
PQ48015QNA25	CSP2000-08-01-XXX-R32-L14	502EP55	503EP55	.040/.062	D13	12
PQ48018HGA40	CSP1900-12-01-XXX-R32-L14	507EP72	508EP72	.040/.080	D08	11
PQ48018HKA20	CSP1900-12-01-XXX-R32-L14	507EP72	508EP72	.040/.080	D08	11
PQ48018HMA30	CSP1900-12-01-XXX-R32-L14	507EP72	508EP72	.040/.080	D08	11
PQ48018HTA60	CSP1900-12-01-XXX-R32-L14	507EP72	508EP72	.040/.080	D08	11
PQ48018QGA25	CSP2000-08-01-XXX-R32-L14	502EP55	503EP55	.040/.062	D13	12
PQ48018QNA25	CSP2000-08-01-XXX-R32-L14	502EP55	503EP55	.040/.062	D13	12
PQ48020HGA40	CSP1900-12-01-XXX-R32-L14	507EP72	508EP72	.040/.080	D08	11
PQ48020HKA20	CSP1900-12-01-XXX-R32-L14	507EP72	508EP72	.040/.080	D08	11
PQ48020HMA30	CSP1900-12-01-XXX-R32-L14	507EP72	508EP72	.040/.080	D08	11
PQ48020HTA60	CSP1900-12-01-XXX-R32-L14	507EP72	508EP72	.040/.080	D08	11
PQ48020QGA25	CSP2000-08-01-XXX-R32-L14	502EP55	503EP55	.040/.062	D13	12
PQ48020QNA25	CSP2000-08-01-XXX-R32-L14	502EP55	503EP55	.040/.062	D13	12
PQ48025HGA40	CSP1900-12-01-XXX-R32-L14	507EP72	508EP72	.040/.080	D08	11
PQ48025HKA20	CSP1900-12-01-XXX-R32-L14	507EP72	508EP72	.040/.080	D08	11
PQ48025HMA30	CSP1900-12-01-XXX-R32-L14	507EP72	508EP72	.040/.080	D08	11
PQ48025HTA60	CSP1900-12-01-XXX-R32-L14	507EP72	508EP72	.040/.080	D08	11
PQ48025QGA25	CSP2000-08-01-XXX-R32-L14	502EP55	503EP55	.040/.062	D13	12
PQ48025QNA25	CSP2000-08-01-XXX-R32-L14	502EP55	503EP55	.040/.062	D13	12
PQ48033HKA20	CSP1900-12-01-XXX-R32-L14	507EP72	508EP72	.040/.080	D08	11
PQ48033HTA38	CSP1900-12-01-XXX-R32-L14	507EP72	508EP72	.040/.080	D08	11
PQ48033QGA25	CSP2000-08-01-XXX-R32-L14	502EP55	503EP55	.040/.062	D13	12
PQ48033QNA25	CSP2000-08-01-XXX-R32-L14	502EP55	503EP55	.040/.062	D13	12
PQ48050HKA20	CSP1900-12-01-XXX-R32-L14	507EP72	508EP72	.040/.080	D08	11
PQ48050HMA25	CSP1900-12-01-XXX-R32-L14	507EP72	508EP72	.040/.080	D08	11
PQ48050QGA20	CSP2000-08-01-XXX-R32-L14	502EP55	503EP55	.040/.062	D13	12
PQ48050QNA20	CSP2000-08-01-XXX-R32-L14	502EP55	503EP55	.040/.062	D13	12
PQ48053HTA30	CSP1900-12-01-XXX-R32-L14	507EP72	508EP72	.040/.080	D08	11
PQ48060QGA17	CSP2000-08-01-XXX-R32-L14	502EP55	503EP55	.040/.062	D13	12
PQ48060QNA17	CSP2000-08-01-XXX-R32-L14	502EP55	503EP55	.040/.062	D13	12
PQ48120HGA12	CSP1900-12-01-XXX-R32-L14	507EP72	508EP72	.040/.080	D08	11
PQ48120QGA08	CSP2000-08-01-XXX-R32-L14	502EP55	503EP55	.040/.062	D13	12
PQ48120QNA08	CSP2000-08-01-XXX-R32-L14	502EP55	503EP55	.040/.062	D13	12
PQ48150HGA10	CSP1900-12-01-XXX-R32-L14	507EP72	508EP72	.040/.080	D08	11
PQ48150HTA11	CSP1900-12-01-XXX-R32-L14	507EP72	508EP72	.040/.080	D08	11
PQ48150QGA07	CSP2000-08-01-XXX-R32-L14	502EP55	503EP55	.040/.062	D13	12
PQ48150QNA07	CSP2000-08-01-XXX-R32-L14	502EP55	503EP55	.040/.062	D13	12
PQ50050HPB50	CSP1900-08-02-XXX-R32-L14	507EP72	508EP72	.040/.080	D03	9
PQ50073HZB60	CSP1900-09-01-XXX-R32-L14	507EP72	508EP72	.040/.080	D04	9
PQ50090QGB11	CSP2000-08-01-XXX-R32-L14	502EP55	503EP55	.040/.062	D13	12
PQ50180HTB10	CSP1900-12-01-XXX-R32-L14	507EP72	508EP72	.040/.080	D08	11
PQ55530HEB08	CSP1900-08-02-XXX-R32-L14	507EP72	508EP72	.040/.080	D03	9
PQ55540HTL05	CSP1900-08-02-XXX-R32-L14	507EP72	508EP72	.040/.080	D03	9
PQ60010EGL20	CSP2000-08-01-XXX-R32-L14	502EP55	503EP55	.040/.062	D13	12
PQ60010EGL25	CSP2000-08-01-XXX-R32-L14	502EP55	503EP55	.040/.062	D13	12
PQ60010EML15	CSP2000-08-01-XXX-R32-L14	502EP55	503EP55	.040/.062	D13	12

\* FOR ULTRA LOW PROFILE THRU-HOLE ADD "9-"  
IN FRONT OF SURFACE MOUNT PART NUMBER

9-CSPXXX-XX-XX-XXX-R27-L14

— SURFACE MOUNT TERMINAL

Surface Mount Terminals  
also can be used for  
Low Profile and Ultra Low Profile

©Copyright 2013 Andon Electronics Corporation. All Rights Reserved. This material is protected under US and other copyrights and may not be copied, sold, or redistributed in any form without written permission of Andon Electronics Corporation. Copyrights and trademarks are property of their respective companies. We reserve the right to change specifications without notice. Andon makes no warranty, expressed or implied, as to the suitability of the sockets for the intended purpose.

**"ANDON PROPRIETARY INFORMATION"**  
**RoHS Compliant**

\*Sockets are not drawn to scale SynQor 06/07/2013

SynQor Continued						
SynQor Model Number	Andon Part Number Replace "XXX" with Terminal Type	Terminal Type		Pin Ø [in]	Figure Number	Page Number
		Thru-Hole	Surface Mount			
PQ60010QPA60	CSP2000-10-01-XXX-R32-L14	502EP55	503EP55	.040/.062	D15	12
PQ60010QTA40	CSP2000-08-01-XXX-R32-L14	502EP55	503EP55	.040/.062	D13	12
PQ60012EGL20	CSP2000-08-01-XXX-R32-L14	502EP55	503EP55	.040/.062	D13	12
PQ60012EGL25	CSP2000-08-01-XXX-R32-L14	502EP55	503EP55	.040/.062	D13	12
PQ60012EKx30	CSP2000-08-01-XXX-R32-L14	502EP55	503EP55	.040/.062	D13	12
PQ60012EML15	CSP2000-08-01-XXX-R32-L14	502EP55	503EP55	.040/.062	D13	12
PQ60012HPAA0	CSP1900-13-01-XXX-R32-L14	507EP72	508EP72	.040/.080	D09	11
PQ60012HTA60	CSP1900-12-01-XXX-R32-L14	507EP72	508EP72	.040/.080	D08	11
PQ60012QPA60	CSP2000-10-01-XXX-R32-L14	502EP55	503EP55	.040/.062	D15	12
PQ60012QTA40	CSP2000-08-01-XXX-R32-L14	502EP55	503EP55	.040/.062	D13	12
PQ60012SMx25	CSP1100-08-01-XXX-R32-L14	502EP55	503EP55	.040/.062	D01	9
PQ60015EGL20	CSP2000-08-01-XXX-R32-L14	502EP55	503EP55	.040/.062	D13	12
PQ60015EGL25	CSP2000-08-01-XXX-R32-L14	502EP55	503EP55	.040/.062	D13	12
PQ60015EKx25	CSP2000-08-01-XXX-R32-L14	502EP55	503EP55	.040/.062	D13	12
PQ60015EML15	CSP2000-08-01-XXX-R32-L14	502EP55	503EP55	.040/.062	D13	12
PQ60015ETL45	CSP2000-08-01-XXX-R32-L14	502EP55	503EP55	.040/.062	D13	12
PQ60015HPAA0	CSP1900-13-01-XXX-R32-L14	507EP72	508EP72	.040/.080	D09	11
PQ60015HTA60	CSP1900-12-01-XXX-R32-L14	507EP72	508EP72	.040/.080	D08	11
PQ60015QGA25	CSP2000-08-01-XXX-R32-L14	502EP55	503EP55	.040/.062	D13	12
PQ60015QML15	CSP2000-08-01-XXX-R32-L14	502EP55	503EP55	.040/.062	D13	12
PQ60015QPA60	CSP2000-10-01-XXX-R32-L14	502EP55	503EP55	.040/.062	D15	12
PQ60015QTA40	CSP2000-08-01-XXX-R32-L14	502EP55	503EP55	.040/.062	D13	12
PQ60015SMx25	CSP1100-08-01-XXX-R32-L14	502EP55	503EP55	.040/.062	D01	9
PQ60016QTA40	CSP2000-08-01-XXX-R32-L14	502EP55	503EP55	.040/.062	D13	12
PQ60018EGL20	CSP2000-08-01-XXX-R32-L14	502EP55	503EP55	.040/.062	D13	12
PQ60018EGL25	CSP2000-08-01-XXX-R32-L14	502EP55	503EP55	.040/.062	D13	12
PQ60018EKx25	CSP2000-08-01-XXX-R32-L14	502EP55	503EP55	.040/.062	D13	12
PQ60018EML15	CSP2000-08-01-XXX-R32-L14	502EP55	503EP55	.040/.062	D13	12
PQ60018ETL45	CSP2000-08-01-XXX-R32-L14	502EP55	503EP55	.040/.062	D13	12
PQ60018ETx45	CSP2000-08-01-XXX-R32-L14	502EP55	503EP55	.040/.062	D13	12
PQ60018HPA80	CSP1900-13-01-XXX-R32-L14	507EP72	508EP72	.040/.080	D09	11
PQ60018HPAA0	CSP1900-13-01-XXX-R32-L14	507EP72	508EP72	.040/.080	D09	11
PQ60018QGA25	CSP2000-08-01-XXX-R32-L14	502EP55	503EP55	.040/.062	D13	12
PQ60018QML15	CSP2000-08-01-XXX-R32-L14	502EP55	503EP55	.040/.062	D13	12
PQ60018QPA60	CSP2000-10-01-XXX-R32-L14	502EP55	503EP55	.040/.062	D15	12
PQ60018QTA40	CSP2000-08-01-XXX-R32-L14	502EP55	503EP55	.040/.062	D13	12
PQ60018SMx25	CSP1100-08-01-XXX-R32-L14	502EP55	503EP55	.040/.062	D01	9
PQ60025EGL20	CSP2000-08-01-XXX-R32-L14	502EP55	503EP55	.040/.062	D13	12
PQ60025EKx20	CSP2000-08-01-XXX-R32-L14	502EP55	503EP55	.040/.062	D13	12
PQ60025EML15	CSP2000-08-01-XXX-R32-L14	502EP55	503EP55	.040/.062	D13	12
PQ60025HPA80	CSP1900-10-02-XXX-R32-L14	507EP72	508EP72	.040/.080	D06	10
PQ60025ETL35	CSP2000-08-01-XXX-R32-L14	502EP55	503EP55	.040/.062	D13	12
PQ60025QGA25	CSP2000-08-01-XXX-R32-L14	502EP55	503EP55	.040/.062	D13	12
PQ60025QML15	CSP2000-08-01-XXX-R32-L14	502EP55	503EP55	.040/.062	D13	12
PQ60025QPA60	CSP2000-10-01-XXX-R32-L14	502EP55	503EP55	.040/.062	D15	12
PQ60025QTA40	CSP2000-08-01-XXX-R32-L14	502EP55	503EP55	.040/.062	D13	12
PQ60025SMx20	CSP1100-08-01-XXX-R32-L14	502EP55	503EP55	.040/.062	D01	9
PQ60033EGx20	CSP2000-08-01-XXX-R32-L14	502EP55	503EP55	.040/.062	D13	12
PQ60033EKx15	CSP2000-08-01-XXX-R32-L14	502EP55	503EP55	.040/.062	D13	12
PQ60033EML15	CSP2000-08-01-XXX-R32-L14	502EP55	503EP55	.040/.062	D13	12
PQ60033ETL30	CSP2000-08-01-XXX-R32-L14	502EP55	503EP55	.040/.062	D13	12
PQ60033HGA40	CSP1900-12-01-XXX-R32-L14	507EP72	508EP72	.040/.080	D08	11
PQ60033HMA30	CSP1900-12-01-XXX-R32-L14	507EP72	508EP72	.040/.080	D08	11
PQ60033HPA70	CSP1900-10-02-XXX-R32-L14	507EP72	508EP72	.040/.080	D06	10
PQ60033HTA50	CSP1900-10-02-XXX-R32-L14	507EP72	508EP72	.040/.080	D06	10

\* FOR ULTRA LOW PROFILE THRU-HOLE ADD "9-" 9-CSPXXX-XX-XX-XXX-R27-L14  
IN FRONT OF SURFACE MOUNT PART NUMBER

SURFACE MOUNT TERMINAL

Surface Mount Terminals  
also can be used for  
Low Profile and Ultra Low Profile

©Copyright 2013 Andon Electronics Corporation. All Rights Reserved. This material is protected under US and other copyrights and may not be copied, sold, or redistributed in any form without written permission of Andon Electronics Corporation. Copyrights and trademarks are property of their respective companies. We reserve the right to change specifications without notice. Andon makes no warranty, expressed or implied, as to the suitability of the sockets for the intended purpose.

**"ANDON PROPRIETARY INFORMATION"**  
**RoHS Compliant**

\*Sockets are not drawn to scale SynQor 06/07/2013

SynQor Continued						
SynQor Model Number	Andon Part Number Replace "XXX" with Terminal Type	Terminal Type		Pin Ø [in]	Figure Number	Page Number
		Thru-Hole	Surface Mount			
PQ60033QGA25	CSP2000-08-01-XXX-R32-L14	502EP55	503EP55	.040/.062	D13	12
PQ60033QML15	CSP2000-08-01-XXX-R32-L14	502EP55	503EP55	.040/.062	D13	12
PQ60033QPA45	CSP2000-10-01-XXX-R32-L14	502EP55	503EP55	.040/.062	D15	12
PQ60033QTA35	CSP2000-08-01-XXX-R32-L14	502EP55	503EP55	.040/.062	D13	12
PQ60033SMx15	CSP1100-08-01-XXX-R32-L14	502EP55	503EP55	.040/.062	D01	9
PQ60050EGL15	CSP2000-08-01-XXX-R32-L14	502EP55	503EP55	.040/.062	D13	12
PQ60050EGLx10	CSP2000-08-01-XXX-R32-L14	502EP55	503EP55	.040/.062	D13	12
PQ60050EML10	CSP2000-08-01-XXX-R32-L14	502EP55	503EP55	.040/.062	D13	12
PQ60050HGA30	CSP1900-12-01-XXX-R32-L14	507EP72	508EP72	.040/.080	D08	11
PQ60050HPA45	CSP1900-08-02-XXX-R32-L14	507EP72	508EP72	.040/.080	D03	9
PQ60050HTA33	CSP1900-12-01-XXX-R32-L14	507EP72	508EP72	.040/.080	D08	11
PQ60050HZx60	CSP1900-08-02-XXX-R32-L14	507EP72	508EP72	.040/.080	D03	9
PQ60050QGA20	CSP2000-08-01-XXX-R32-L14	502EP55	503EP55	.040/.062	D13	12
PQ60050QML15	CSP2000-08-01-XXX-R32-L14	502EP55	503EP55	.040/.062	D13	12
PQ60050QTA30	CSP2000-08-01-XXX-R32-L14	502EP55	503EP55	.040/.062	D13	12
PQ60050SGL12	CSP1100-08-01-XXX-R32-L14	502EP55	503EP55	.040/.062	D01	9
PQ60050SMx10	CSP1100-08-01-XXX-R32-L14	502EP55	503EP55	.040/.062	D01	9
PQ60060QGA17	CSP2000-08-01-XXX-R32-L14	502EP55	503EP55	.040/.062	D13	12
PQ60120EGL07	CSP2000-08-01-XXX-R32-L14	502EP55	503EP55	.040/.062	D13	12
PQ60120EKx04	CSP2000-08-01-XXX-R32-L14	502EP55	503EP55	.040/.062	D13	12
PQ60120EML04	CSP2000-08-01-XXX-R32-L14	502EP55	503EP55	.040/.062	D13	12
PQ60120HPA20	CSP1900-08-02-XXX-R32-L14	507EP72	508EP72	.040/.080	D03	9
PQ60120HTA14	CSP1900-12-01-XXX-R32-L14	507EP72	508EP72	.040/.080	D08	11
PQ60120HZx50	CSP1900-09-01-XXX-R32-L14	507EP72	508EP72	.040/.080	D04	9
PQ60120QEA17	CSP2000-08-01-XXX-R32-L14	502EP55	503EP55	.040/.062	D13	12
PQ60120QEA25	CSP2000-08-01-XXX-R32-L14	502EP55	503EP55	.040/.062	D13	12
PQ60120QGA08	CSP1900-12-01-XXX-R32-L14	507EP72	508EP72	.040/.080	D08	11
PQ60120QTA12	CSP2000-08-01-XXX-R32-L14	502EP55	503EP55	.040/.062	D13	12
PQ60120QZB33	CSP2000-08-01-XXX-R32-L14	502EP55	503EP55	.040/.062	D13	12
PQ60120SMx04	CSP1100-08-01-XXX-R32-L14	502EP55	503EP55	.040/.062	D01	9
PQ60150EGL05	CSP2000-08-01-XXX-R32-L14	502EP55	503EP55	.040/.062	D13	12
PQ60150EKx03	CSP2000-08-01-XXX-R32-L14	502EP55	503EP55	.040/.062	D13	12
PQ60150HZx40	CSP1900-08-02-XXX-R32-L14	507EP72	508EP72	.040/.080	D03	9
PQ60150SMx03	CSP1100-08-01-XXX-R32-L14	502EP55	503EP55	.040/.062	D01	9
PQ60180HTA09	CSP1900-12-01-XXX-R32-L14	507EP72	508EP72	.040/.080	D08	11
PQ60240EGL03	CSP2000-08-01-XXX-R32-L14	502EP55	503EP55	.040/.062	D13	12
PQ60240HZx25	CSP1900-08-02-XXX-R32-L14	507EP72	508EP72	.040/.080	D03	9
PQ60240QGA05	CSP2000-08-01-XXX-R32-L14	502EP55	503EP55	.040/.062	D13	12
PQ60260HTB10	CSP1900-11-01-XXX-R32-L14	507EP72	508EP72	.040/.080	D07	10
PQ60280FTx26	CSP4200-18-01-XXX-R32-L14	507EP72	508EP72	.040/.080	D17	13
PQ60280HEA13	CSP1900-08-02-XXX-R32-L14	507EP72	508EP72	.040/.080	D03	9
PQ60280HZx21	CSP1900-08-02-XXX-R32-L14	507EP72	508EP72	.040/.080	D03	9
PQ60400HZx15	CSP1900-08-02-XXX-R32-L14	507EP72	508EP72	.040/.080	D03	9
PQ60480QTA03	CSP2000-08-01-XXX-R32-L14	502EP55	503EP55	.040/.062	D13	12
PQ60500HZx12	CSP1900-08-02-XXX-R32-L14	507EP72	508EP72	.040/.080	D03	9
PQ60525HTA04	CSP1900-11-01-XXX-R32-L14	507EP72	508EP72	.040/.080	D07	10
PQ65180QGA06	CSP2000-08-01-XXX-R32-L14	502EP55	503EP55	.040/.062	D13	12

Top View Shown  
Units: in [mm]

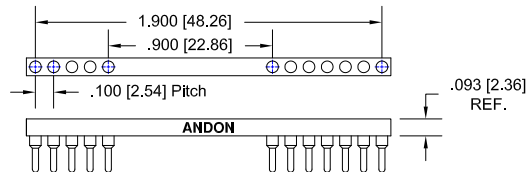
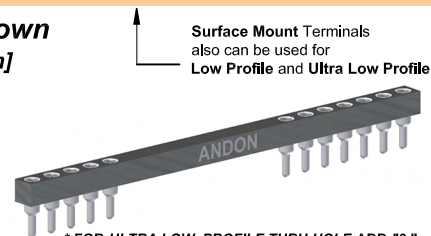


Fig. S01

Thru-Hole: C10-20-12-01-441V-R32-L14

Surface Mount: C10-20-12-01-442V-R32-L14



Surface Mount Terminals  
also can be used for  
Low Profile and Ultra Low Profile

\* FOR ULTRA LOW PROFILE THRU-HOLE ADD ".9-"  
IN FRONT OF SURFACE MOUNT PART NUMBER  
9-CSPXXX-XX-XX-XXX-R27-L14

SURFACE MOUNT TERMINAL

"ANDON PROPRIETARY INFORMATION"

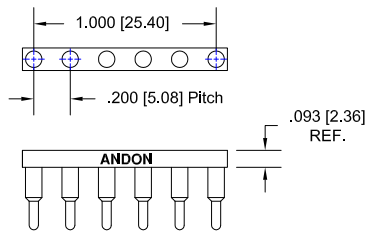
RoHS Compliant

\*Sockets are not drawn to scale SynQor 06/07/2013

©Copyright 2013 Andon Electronics Corporation. All Rights Reserved. This material is protected under US and other copyrights and may not be copied, sold, or redistributed in any form without written permission of Andon Electronics Corporation. Copyrights and trademarks are property of their respective companies. We reserve the right to change specifications without notice. Andon makes no warranty, expressed or implied, as to the suitability of the sockets for the intended purpose.

**SynQor Continued**  
**Top View Shown**  
**Units: in [mm]**

[Back to Index Page](#)

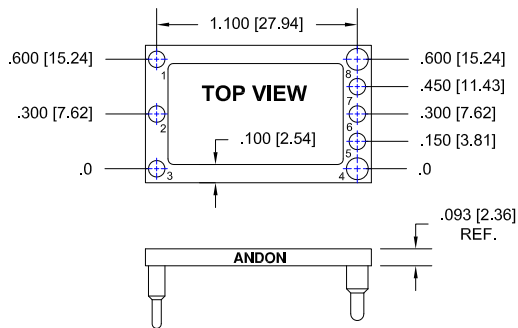


**Fig. S02**

**Thru-Hole:** (2) C20-006-06-01-433E-R32-L14  
**Surface Mount:** (2) C20-006-06-01-285E-R32-L14



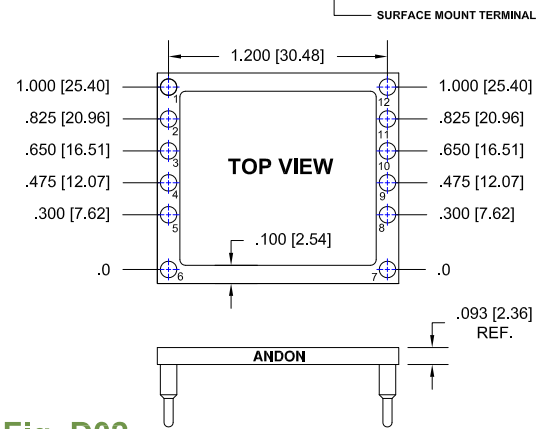
\* FOR ULTRA LOW PROFILE THRU-HOLE ADD "9-"  
IN FRONT OF SURFACE MOUNT PART NUMBER  
9-CSPXXX-XX-XX-XXX-R27-L14



**Fig. D01**

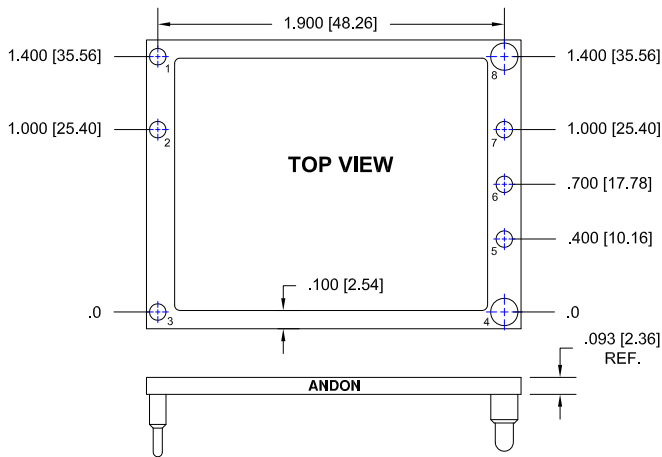
Pins 1-3, 5-7 are  $\varnothing 0.040$  [ $\varnothing 1.02$ ]  
Pins 4 and 8 are  $\varnothing 0.062$  [ $\varnothing 1.57$ ]

**Thru-Hole:** CSP1100-08-01-502EP55-R32-L14  
**Surface Mount:** CSP1100-08-01-503EP55-R32-L14



**Fig. D02**

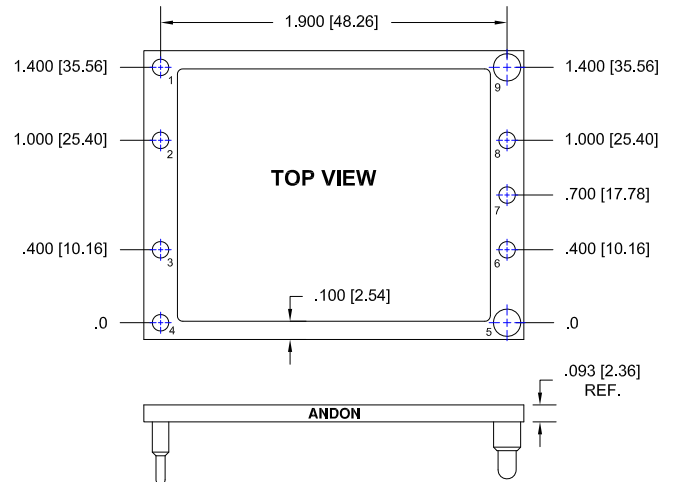
**Thru-Hole:** CSP1200-12-01-433E-R32-L14  
**Surface Mount:** CSP1200-12-01-285E-R32-L14



**Fig. D03**

Pins 1-3, 5-7 are  $\varnothing 0.040$  [ $\varnothing 1.02$ ]  
Pins 4 and 8 are  $\varnothing 0.080$  [ $\varnothing 2.03$ ]

**Thru-Hole:** CSP1900-08-02-507EP72-R32-L14  
**Surface Mount:** CSP1900-08-02-508EP72-R32-L14



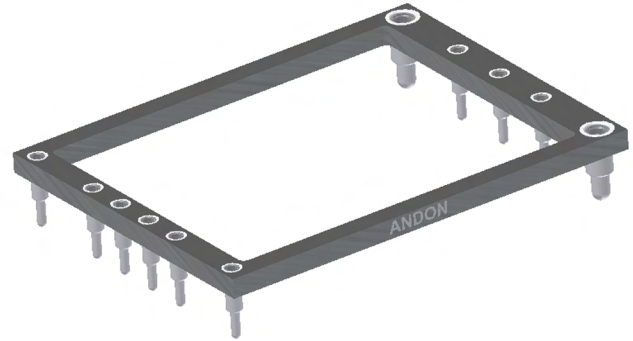
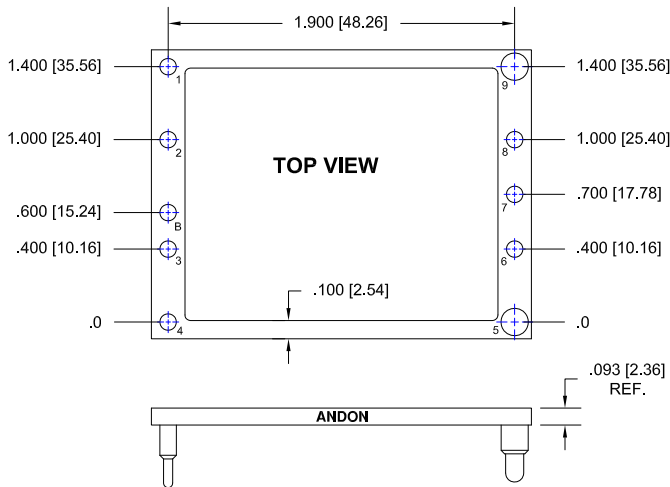
**Fig. D04**

Pins 1-4, 6-8 are  $\varnothing 0.040$  [ $\varnothing 1.02$ ]  
Pins 5 and 9 are  $\varnothing 0.080$  [ $\varnothing 2.03$ ]

**Thru-Hole:** CSP1900-09-01-507EP72-R32-L14  
**Surface Mount:** CSP1900-09-01-508EP72-R32-L14

**SynQor Continued**  
**Top View Shown**  
**Units: in [mm]**

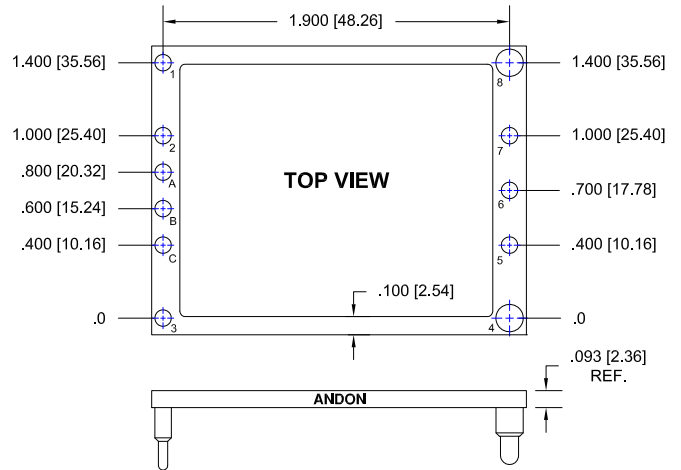
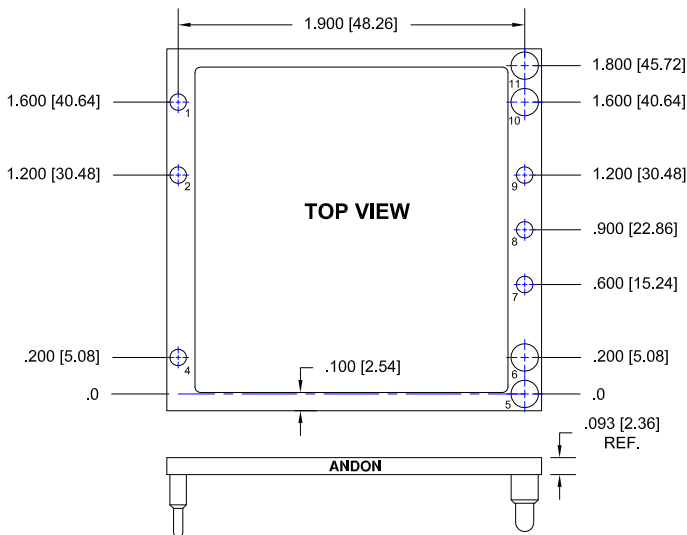
[Back to Index Page](#)



**Fig. D05** Pins 1-4, 6-8, and B are  $\varnothing.040$  [ $\varnothing1.02$ ]  
Pins 5 and 9 are  $\varnothing.080$  [ $\varnothing2.03$ ]  
**Thru-Hole:** CSP1900-10-01-507EP72-R32-L14  
**Surface Mount:** CSP1900-10-01-508EP72-R32-L14

\* FOR ULTRA LOW PROFILE THRU-HOLE ADD "9-"  
IN FRONT OF SURFACE MOUNT PART NUMBER  
9-CSPXXX-XX-XX-XXX-R27-L14

— SURFACE MOUNT TERMINAL

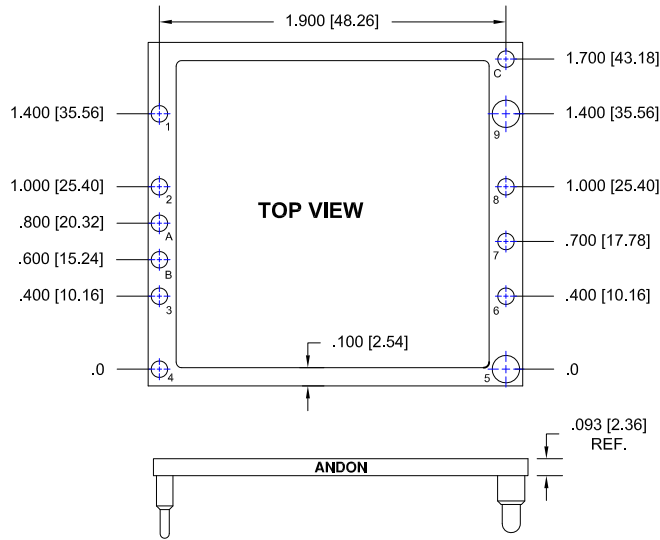


**Fig. D06** Pins 1, 2, 4, 7-9 are  $\varnothing.040$  [ $\varnothing1.02$ ]  
Pins 5-6, 10-11 are  $\varnothing.080$  [ $\varnothing2.03$ ]  
**Thru-Hole:** CSP1900-10-02-507EP72-R32-L14  
**Surface Mount:** CSP1900-10-02-508EP72-R32-L14

**Fig. D07** Pins 1-3, 5-7, A, B, and C are  $\varnothing.040$  [ $\varnothing1.02$ ]  
Pins 4 and 8 are  $\varnothing.080$  [ $\varnothing2.03$ ]  
**Thru-Hole:** CSP1900-11-01-507EP72-R32-L14  
**Surface Mount:** CSP1900-11-01-508EP72-R32-L14

**SynQor Continued**  
**Top View Shown**  
**Units: in [mm]**

[Back to Index Page](#)



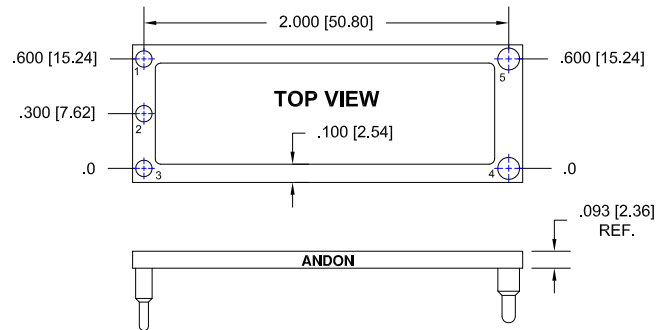
\* FOR ULTRA LOW PROFILE THRU-HOLE ADD "9-"  
IN FRONT OF SURFACE MOUNT PART NUMBER  
9-CSPXXX-XX-XX-XXX-R27-L14

SURFACE MOUNT TERMINAL

**Fig. D08**

Pins 1-4, 6-8, A-C are  $\varnothing$ .040 [ $\varnothing$ 1.02]  
Pins 5 and 9 are  $\varnothing$ .080 [ $\varnothing$ 2.03]

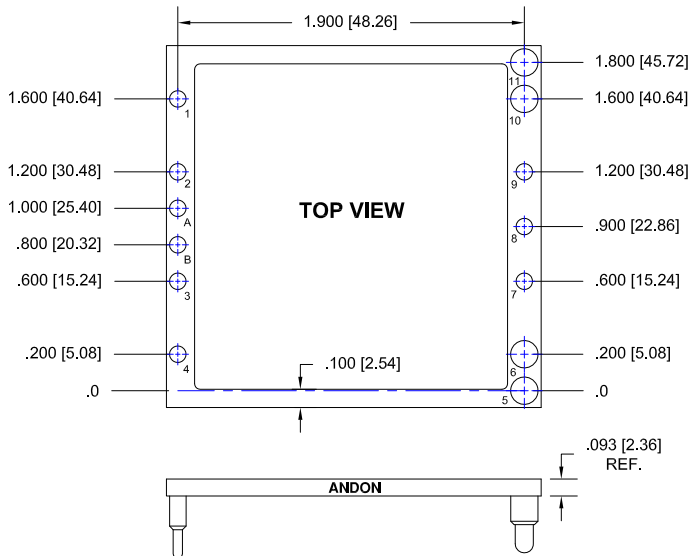
**Thru-Hole:** CSP1900-12-01-507EP72-R32-L14  
**Surface Mount:** CSP1900-12-01-508EP72-R32-L14



**Fig. D10**

Pins 1-3 are  $\varnothing$ .040 [ $\varnothing$ 1.02]  
Pins 4-5 are  $\varnothing$ .062 [ $\varnothing$ 1.57]

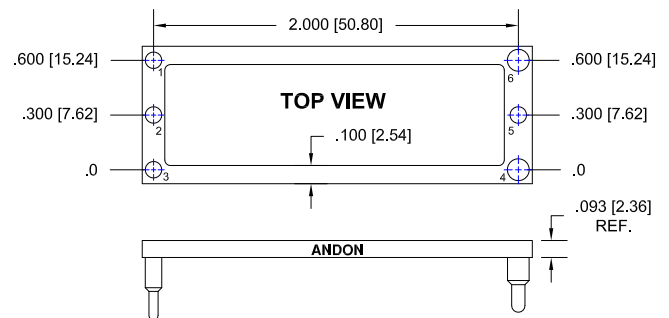
**Thru-Hole:** CSP2000-05-03-502EP55-R32-L14  
**Surface Mount:** CSP2000-05-03-503EP55-R32-L14



**Fig. D09**

Pins 1-4, 7-9, A-B are  $\varnothing$ .040 [ $\varnothing$ 1.02]  
Pins 5-6, 10-11 are  $\varnothing$ .080 [ $\varnothing$ 2.03]

**Thru-Hole:** CSP1900-13-01-507EP72-R32-L14  
**Surface Mount:** CSP1900-13-01-508EP72-R32-L14



**Fig. D11**

Pins 1-3, and 5 are  $\varnothing$ .040 [ $\varnothing$ 1.02]  
Pins 4 & 6 are  $\varnothing$ .062 [ $\varnothing$ 1.57]

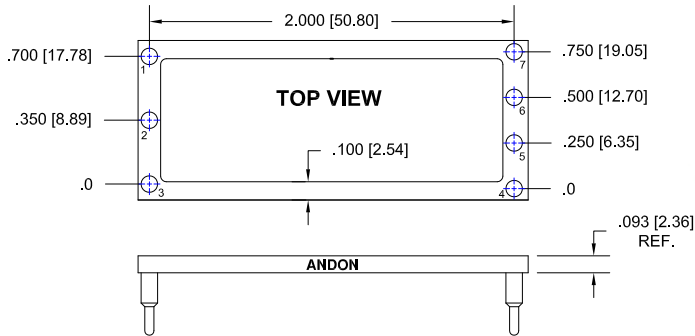
**Thru-Hole:** CSP2000-06-01-502EP55-R32-L14  
**Surface Mount:** CSP2000-06-01-503EP55-R32-L14

**SynQor Continued**

[Back to Index Page](#)

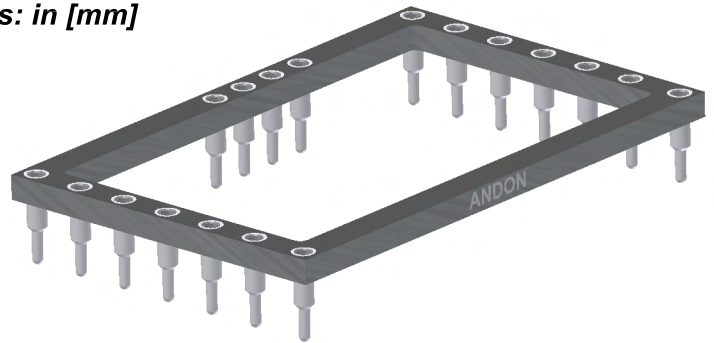
**Top View Shown**

Units: in [mm]



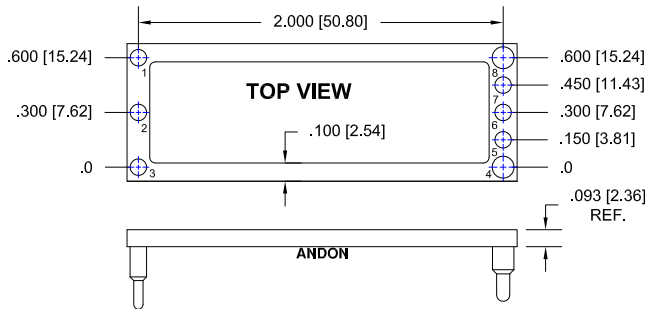
**Fig. D12**

Thru-Hole: CSP2000-07-04-433E-R32-L14  
Surface Mount: CSP2000-07-04-285E-R32-L14



\* FOR ULTRA LOW PROFILE THRU-HOLE ADD "9-"  
IN FRONT OF SURFACE MOUNT PART NUMBER  
9-CSPXXX-XX-XX-XXX-R27-L14

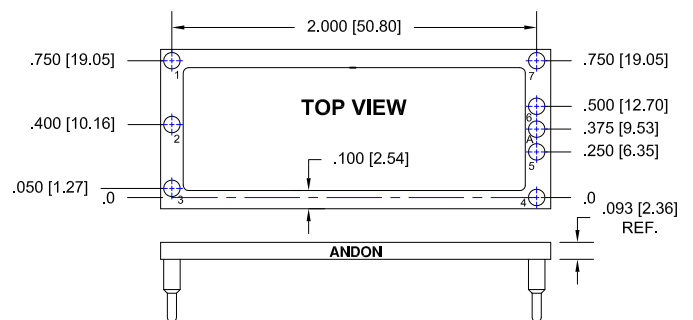
SURFACE MOUNT TERMINAL



**Fig. D13**

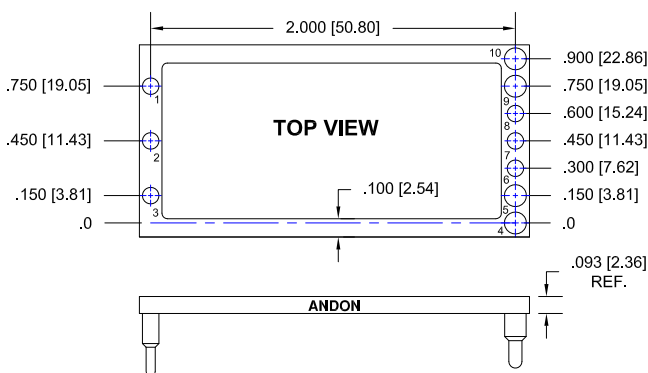
Pins 1-3, 5-7 are  $\varnothing$ .040 [ $\varnothing$ 1.02]  
Pins 4 and 8 are  $\varnothing$ .062 [ $\varnothing$ 1.57]

Thru-Hole: CSP2000-08-01-502EP55-R32-L14  
Surface Mount: CSP2000-08-01-503EP55-R32-L14



**Fig. D14**

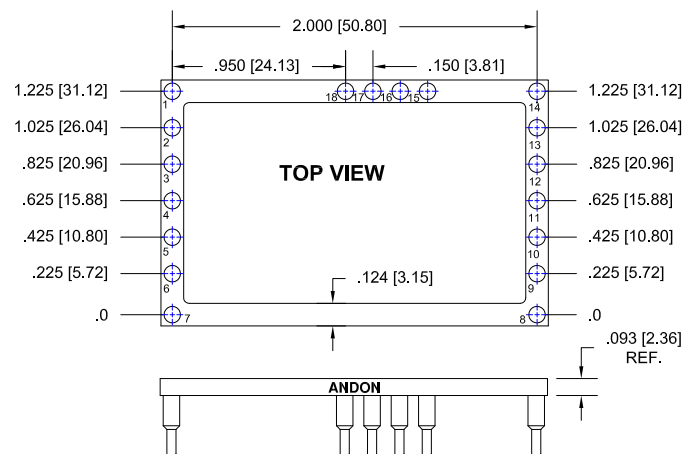
Thru-Hole: CSP2000-08-02-433E-R32-L14  
Surface Mount: CSP2000-08-02-285E-R32-L14



**Fig. D15**

Pins 1-3, 6-8 are  $\varnothing$ .040 [ $\varnothing$ 1.02]  
Pins 4-5, 9-10 are  $\varnothing$ .062 [ $\varnothing$ 1.57]

Thru-Hole: CSP2000-10-01-502EP55-R32-L14  
Surface Mount: CSP2000-10-01-503EP55-R32-L14

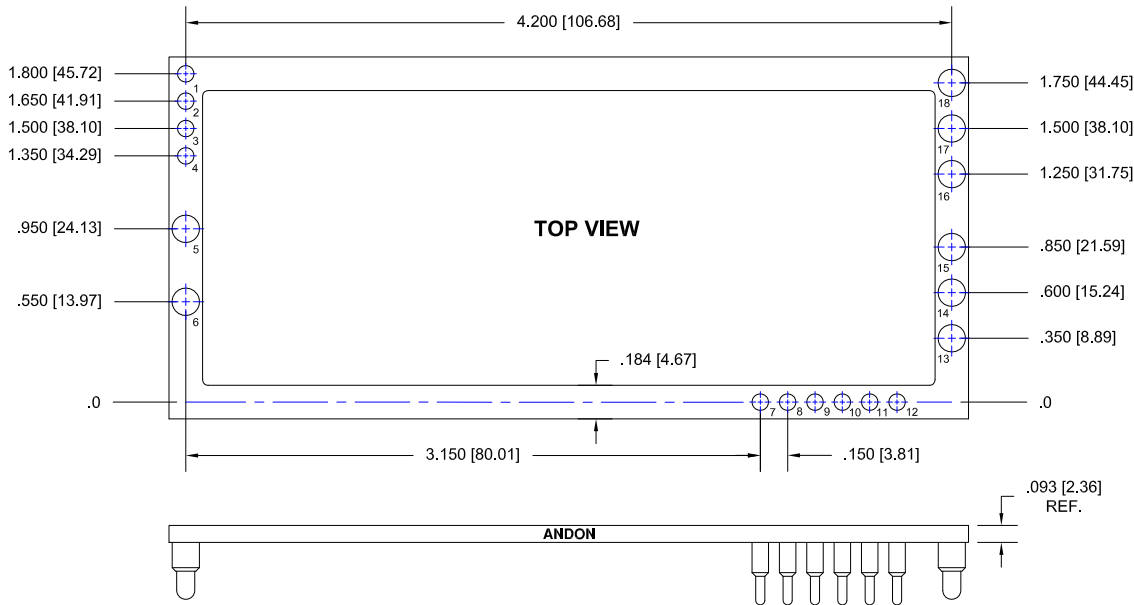


**Fig. D16**

Thru-Hole: CSP2000-18-01-433E-R32-L14  
Surface Mount: CSP2000-18-01-285E-R32-L14

**SynQor Continued**  
**Top View Shown**  
**Units: in [mm]**

[Back to Index Page](#)



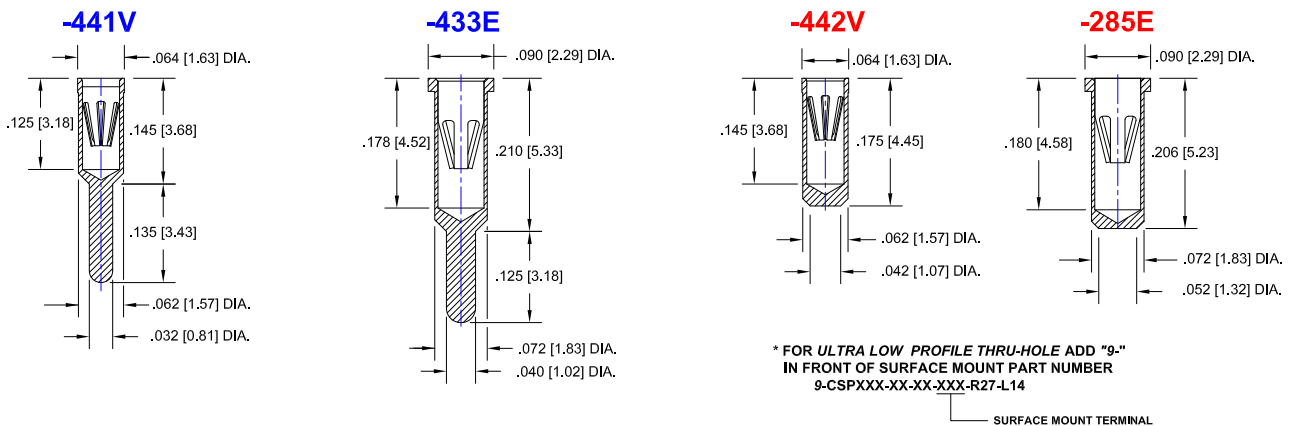
**Fig. D17**

Pins 1-4, 7-12 are  $\varnothing$ .040 [ $\varnothing$ 1.02]  
Pins 5-6, 13-18 are  $\varnothing$ .080 [ $\varnothing$ 2.03]

Thru-Hole: CSP4200-18-01-507EP72-R32-L14

Surface Mount: CSP4200-18-01-508EP72-R32-L14

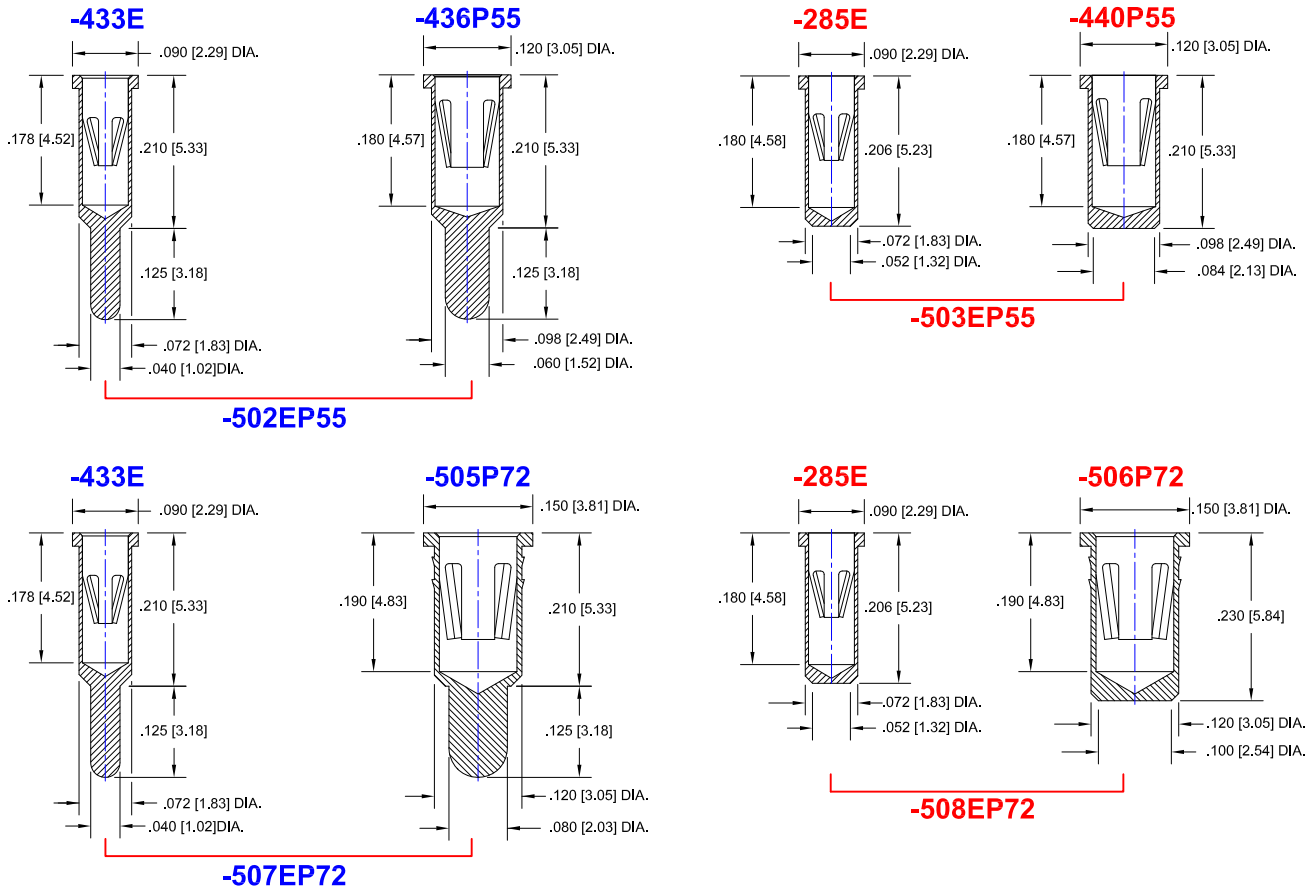
**Socket Terminal Details**  
**Cross Section View Shown Units: in [mm]**



## SynQor Continued

[Back to Index Page](#)

### Socket Terminal Details Cross Section View Shown Units: in [mm]



\* FOR ULTRA LOW PROFILE THRU-HOLE ADD "9-"  
IN FRONT OF SURFACE MOUNT PART NUMBER  
9-CSPXXX-XX-XX-XXX-R27-L14

— SURFACE MOUNT TERMINAL

### Plating: RoHS COMPLIANT

#### Material:

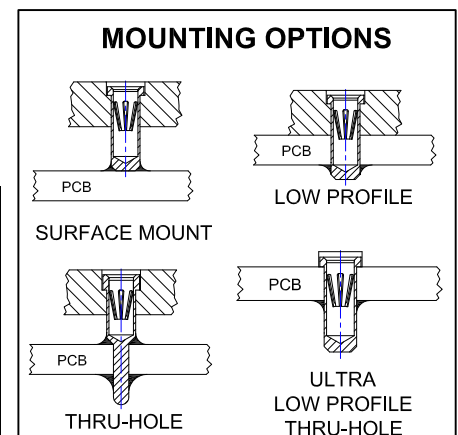
Insulator: Hi-Temp UL 94V-O  
Terminal: Brass, per ASTM-B16  
Contact: BeCu, Per ASTM-B194

**R32 TERMINAL: MATTE TIN / CONTACT: TIN**  
**R27 TERMINAL: GOLD / CONTACT: GOLD**  
**R17 TERMINAL: TIN / CONTACT: GOLD**  
**OTHER PLATINGS AVAILABLE**

#### Terminal Acceptance and Forces

Thru Hole Terminals				Surface Mount Terminals			
Thru Hole Terminal	Accepts Pin Diameter	Insertion Force	Withdrawal Force	Surface Mount Terminal	Accepts Pin Diameter	Insertion Force	Withdrawal Force
-441V	Ø.030 [Ø0.76]	13.2 oz Max	3.5 oz Min	-442V	Ø.030 [Ø0.76]	13.2 oz Max	3.3 oz Min
-433E	Ø.040 [Ø1.02]	36.0 oz Max	3.9 oz Min	-285E	Ø.040 [Ø1.02]	36.0 oz Max	3.9 oz Min
-436P55	Ø.062 [Ø1.57]	15.5 oz Max	2.1 oz Min	-440P55	Ø.062 [Ø1.57]	15.5 oz Max	2.1 oz Min
-505P72	Ø.080 [Ø2.03]	48 oz Max	8.0 oz Min	-506P72	Ø.080 [Ø2.03]	48 oz Max	8.0 oz Min

#### MOUNTING OPTIONS



©Copyright 2013 Andon Electronics Corporation. All Rights Reserved. This material is protected under US and other copyrights and may not be copied, sold, or redistributed in any form without written permission of Andon Electronics Corporation. Copyrights and trademarks are property of their respective companies. We reserve the right to change specifications without notice. Andon makes no warranty, expressed or implied, as to the suitability of the sockets for the intended purpose.

**"ANDON PROPRIETARY INFORMATION"**  
**RoHS Compliant**

\*Sockets are not drawn to scale SynQor 06/07/2013

### DISCLAIMER

Andon does not give any guarantee or warranty as to the suitability of our products for the buyer's or users intended use or application. - Andon accepts no liability for any actual or consequential losses, injury or damage resulting from the use of Andon's documents or products. - The buyer or user has the responsibility to test and make its own determination as to suitability for their use. - Andon reserves the right to make changes in design, product and manufacturing without notice.

### Notes



**B.C.E. s.r.l.**

Via Regina Pacis, 54/c - 41049 SASSUOLO (MO) Italy  
Tel. +39 0536 811.616 r.a. - Fax +39 0536 811.500  
[www.bce.it](http://www.bce.it) - E-mail: [bce@bce.it](mailto:bce@bce.it)

