



RoHS Compliant
ISO 9001
Certified

GAS & SENSOR SOCKETS



***Largest Line of High Reliability Sensor Sockets
with Andon's Unique Senstac™ Contact***

www.andonelect.com or www.andonelectronics.com

Gas Sensor Sockets

At Andon Electronics, we provide interconnection components that help companies to cost effectively protect, assemble, test and replace their semiconductor devices.

Risks

- **Electrolytes:** Leakage can cause irritation of the eyes and skin.
Inhalation of the vapors can affect the lungs.
Corrosion of the surrounding area, resulting in damage to equipment.
- **Temperature:** High temperature RoHS lead free solders can seriously damage the sensors.
Gas Sensors cannot be convection soldered due to the high soldering temperatures, which can completely destroy the gas sensor.
- **Solvents:** Production line exposure to solvents can damage gas sensors.
Organic vapor can degrade the plastic body of the sensor, create false base lines and block sensing electrodes.

Solution

Socket Contacts developed by Andon Electronics Corporation over the past forty years for the Military and Aerospace industries, are produced in-house for a variety of pin diameters.

- Solder Andon sockets on the PCB and plug-in the Sensor after all other assembly and testing.
- Sockets available for all brands of sensors.
- Footprints are the same as the Sensor.
- Various terminal and socket sizes available: Thru-hole, Surface Mount and Low Profile Carrier Socket.

Improved Reliability

- Complete rework and testing without the sensor reduces risk of damage and loss.
- Enables easy field replacements and upgrades of sensors.
- Improve cash flow by volume PCB assembly cost savings; soldering Andon Sockets and buying Sensors as needed.

Other Sockets Available

- Image Sensor Sockets
- Optoelectronic Sockets
- Laser Sockets
- Fuse Sockets
- Battery Sockets
- Semiconductor Sockets

Table of Contents

Device to Socket Cross References

Alphasense, LTD. _____	04
America Humirel, Inc. _____	05
Applied Gas Sensor _____	05
Boston Electronics Corp. _____	05
City Technology _____	05
Dynamment Limited _____	07
e2v _____	07
Electrovac Curamik GmbH _____	08
Figaro Gas Sensors _____	09
FIS, Inc. _____	09
Hanwei Electronics, LTD _____	10
Heimann Sensor GmbH _____	10
Measurement Specialties _____	11
Membrapor _____	11
Microsens, SA _____	15

Nemoto Environmental Technology _____	15
Nemoto & CO. LTD. _____	16
Pyreos _____	16
Senko _____	16
SensoriC _____	16
Sensors Direct _____	16

Gas Sensor Socket Footprints

Sockets Footprint _____	17 - 27
Cross-Footprint Adapter Sockets _____	28
Terminal Details _____	29
Andon Part Number Index _____	30

How To Utilize this Catalog:

In the electronic version of this catalog, clicking on each row in the Cross Reference section will direct you to the page the Socket Data is located on automatically.

Part Number Example: R530-0403-02N-XXX-R27-L14

Replace "XXX" with a **Thru-hole** or **Surface Mount** Terminal

City Technology Gas Sensor Sockets							
City Technology Model Number	Andon Part Number Replace "XXX" with Terminal Type	Terminal Type		Pin Ø [in]	Pin QTY	Page Number	Figure Number
		Thru-Hole	Surface Mount				
2CF	R530-0403-02N-XXX-R27-L14	436P55	440P55	.060	3	23	185

Manufacturer Part Number

Pin Diameter of Device

[Back to Table of Contents](#)

Alphasense Ltd. Gas Sensor Sockets							
Alphasense Ltd. Model Number	Andon Part Number Replace "XXX" with Terminal Type	Terminal Type		Pin Ø [in]	Pin QTY	Page Number	Figure Number
		Thru-Hole	Surface Mount				
CH-A3	R300-SP03-02T-XXX-R27-L14	436P55	440P55	.060	3	21	126
CH-D3	R196-SP04-01T-XXX-R27-L14	295V	439V	.030	4	18	49
CL2-A1	R530-0403-02N-XXX-R27-L14	436P55	440P55	.060	3	23	185
CL2-B1	R670-0804-02N-XXX-R27-L14	433E	285E	.040	4	25	196A
CO2-D1	R200-SP03-03T-XXX-R27-L14	295V	439V	.030	3	19	80B
CO-AE	R530-0403-02N-XXX-R27-L14	436P55	440P55	.060	3	23	185
CO-AF	R530-0403-02N-XXX-R27-L14	436P55	440P55	.060	3	23	185
CO-AX	R530-0403-02N-XXX-R27-L14	436P55	440P55	.060	3	23	185
CO-BF	R670-0804-02N-XXX-R27-L14	433E	285E	.040	4	25	196A
CO-BX	R670-0804-02N-XXX-R27-L14	433E	285E	.040	4	25	196A
CO-CE	R530-0403-02N-XXX-R27-L14	436P55	440P55	.060	3	23	185
CO-CF	R530-0403-02N-XXX-R27-L14	436P55	440P55	.060	3	23	185
CO-CX	R530-0403-02N-XXX-R27-L14	436P55	440P55	.060	3	23	185
CO-D4	R300-SP04-02T-XXX-R27-L14	295V	439V	.030	4	21	128B
D2	R300-SP04-02T-XXX-R27-L14	295V	439V	.030	4	21	128B
ETO-A1	R530-0403-02N-XXX-R27-L14	436P55	440P55	.060	3	23	185
ETO-B1	R670-0804-02N-XXX-R27-L14	433E	285E	.040	4	25	196A
H2S-A1	R530-0403-02N-XXX-R27-L14	436P55	440P55	.060	3	23	185
H2S-AE	R530-0403-02N-XXX-R27-L14	436P55	440P55	.060	3	23	185
H2S-AH	R530-0403-02N-XXX-R27-L14	436P55	440P55	.060	3	23	185
H2S-B1	R670-0804-02N-XXX-R27-L14	433E	285E	.040	4	25	196A
H2S-BE	R670-0804-02N-XXX-R27-L14	433E	285E	.040	4	25	196A
H2S-BH	R670-0804-02N-XXX-R27-L14	433E	285E	.040	4	25	196A
H2S-D4	R300-SP04-02T-XXX-R27-L14	295V	439V	.030	4	21	128B
HCN-A1	R530-0403-02N-XXX-R27-L14	436P55	440P55	.060	3	23	185
HCN-D4	R300-SP04-02T-XXX-R27-L14	295V	439V	.030	4	21	128B
IRC-A1	R505-SP07-01T-XXX-R27-L14	436P55	440P55	.060	7	23	179
NO2-A1	R530-0403-02N-XXX-R27-L14	436P55	440P55	.060	3	23	185
NO2-AE	R530-0403-02N-XXX-R27-L14	436P55	440P55	.060	3	23	185
NO2-B1	R670-0804-02N-XXX-R27-L14	433E	285E	.040	4	25	196A
NO-A1	R530-0403-02N-XXX-R27-L14	436P55	440P55	.060	3	23	185
NO-AE	R530-0403-02N-XXX-R27-L14	436P55	440P55	.060	3	23	185
NO-B1	R670-0804-02N-XXX-R27-L14	433E	285E	.040	4	25	196A
NO-D4	R300-SP04-02T-XXX-R27-L14	295V	439V	.030	4	21	128B
O2-A1	R530-0403-02N-XXX-R27-L14	436P55	440P55	.060	3	23	185
O2-A2	R530-0403-02N-XXX-R27-L14	436P55	440P55	.060	3	23	185
O2-A3	R530-0403-02N-XXX-R27-L14	436P55	440P55	.060	3	23	185
O2-C2	R530-0403-02N-XXX-R27-L14	436P55	440P55	.060	3	23	185
O2-G1	R530-0403-02N-XXX-R27-L14	436P55	440P55	.060	3	23	185
O2-G2	R530-0403-02N-XXX-R27-L14	436P55	440P55	.060	3	23	185
PH3-A1	R530-0403-02N-XXX-R27-L14	436P55	440P55	.060	3	23	185
PH3-B1	R670-0804-02N-XXX-R27-L14	433E	285E	.040	4	25	196A
PH3-BE	R670-0804-02N-XXX-R27-L14	433E	285E	.040	4	25	196A
PID-A1	R300-SP03-02T-XXX-R27-L14	436P55	440P55	.060	3	21	126
PID-AH	R300-SP03-02T-XXX-R27-L14	436P55	440P55	.060	3	21	126
SO2-BF	R670-0804-02N-XXX-R27-L14	433E	285E	.040	4	25	196A
SO2-AE	R530-0403-02N-XXX-R27-L14	436P55	440P55	.060	3	23	185
SO2-AF	R530-0403-02N-XXX-R27-L14	436P55	440P55	.060	3	23	185
SO2-D4	R300-SP04-02T-XXX-R27-L14	295V	439V	.030	4	21	128B

[Back to Table of Contents](#)

America Humirel, Inc. Gas Sensor Sockets							
America Humirel, Inc. Model Number	Andon Part Number Replace "XXX" with Terminal Type	Terminal Type		Pin Ø [in]	Pin QTY	Page Number	Figure Number
		Thru-Hole	Surface Mount				
HS1100LF	R200-0402-01T-XXX-R27-L14	01S	93S	.018	2	18	52
HS1101LF	R200-0402-01T-XXX-R27-L14	01S	93S	.018	2	18	52

Applied Sensor GmbH Sensor Sockets							
Applied Sensor GmbH Model Number	Andon Part Number Replace "XXX" with Terminal Type	Terminal Type		Pin Ø [in]	Pin QTY	Page Number	Figure Number
		Thru-Hole	Surface Mount				
AS-MLC	R200-0404-01T-XXX-R27-L14	01S	93S	.018	4	18	62B
AS-MLK	R200-0404-01T-XXX-R27-L14	01S	93S	.018	4	18	62B
AS-MLN	R200-0404-01T-XXX-R27-L14	01S	93S	.018	4	18	62B
AS-MLV	R200-0404-01T-XXX-R27-L14	01S	93S	.018	4	18	62B

Boston Electronics Corp. Gas Sensor Sockets							
Boston Electronics Corp. Model Number	Andon Part Number Replace "XXX" with Terminal Type	Terminal Type		Pin Ø [in]	Pin QTY	Page Number	Figure Number
		Thru-Hole	Surface Mount				
HMS J11	R100-0404-01T-XXX-R27-L14	75S	384S	.018	4	17	27CT
HMS J21	R100-0404-01T-XXX-R27-L14	75S	384S	.018	4	17	27CT
HMS Z11	R100-0404-01T-XXX-R27-L14	75S	384S	.018	4	17	27CT
HTS E21	R200-0404-01T-XXX-R27-L14	01S	93S	.018	4	18	62B
HTS E31	R200-0404-01T-XXX-R27-L14	01S	93S	.018	4	18	62B
HTS Q21	R200-0806-01T-XXX-R27-L14	211S	384S	.018	6	19	66

City Technology Gas Sensor Sockets							
City Technology Model Number	Andon Part Number Replace "XXX" with Terminal Type	Terminal Type		Pin Ø [in]	Pin QTY	Page Number	Figure Number
		Thru-Hole	Surface Mount				
2CF	R530-0403-02N-XXX-R27-L14	436P55	440P55	.060	3	23	185
2E/F	R1350-SP03-01T-XXX-R27-L14	433E	285E	.040	3	26	225
3CLH	R1350-SP03-01T-XXX-R27-L14	433E	285E	.040	3	26	225
3E	R1350-SP03-01T-XXX-R27-L14	433E	285E	.040	3	26	225
3E/F	R1350-SP03-01T-XXX-R27-L14	433E	285E	.040	3	26	225
3ETO	R1350-SP03-01T-XXX-R27-L14	433E	285E	.040	3	26	225
3H	R1350-SP03-01T-XXX-R27-L14	433E	285E	.040	3	26	225
3H/LM	R1350-SP03-01T-XXX-R27-L14	433E	285E	.040	3	26	225
3HCN	R1350-SP03-01T-XXX-R27-L14	433E	285E	.040	3	26	225
3HH	R1350-SP03-01T-XXX-R27-L14	433E	285E	.040	3	26	225
3HH/LM	R1350-SP03-01T-XXX-R27-L14	433E	285E	.040	3	26	225
3HL	R1350-SP03-01T-XXX-R27-L14	433E	285E	.040	3	26	225
3HYE	R1350-SP03-01T-XXX-R27-L14	433E	285E	.040	3	26	225
3HYT	R1350-SP03-01T-XXX-R27-L14	433E	285E	.040	3	26	225
3NDH	R1350-SP03-01T-XXX-R27-L14	433E	285E	.040	3	26	225
3NT	R1350-SP03-01T-XXX-R27-L14	433E	285E	.040	3	26	225
3OZ	R1350-SP03-01T-XXX-R27-L14	433E	285E	.040	3	26	225
3SH	R1350-SP03-01T-XXX-R27-L14	433E	285E	.040	3	26	225
3ST/F	R1350-SP03-01T-XXX-R27-L14	433E	285E	.040	3	26	225
4CF	R530-0403-02N-XXX-R27-L14	436P55	440P55	.060	3	23	185
4CL	R530-0403-02N-XXX-R27-L14	436P55	440P55	.060	3	23	185
4CO	R530-0403-02N-XXX-R27-L14	436P55	440P55	.060	3	23	185
4COSH	R530-SP04-01T-XXX-R27-L14	436P55	440P55	.060	4	24	189
4ETO	R530-0403-02N-XXX-R27-L14	436P55	440P55	.060	3	23	185
4H	R530-0403-02N-XXX-R27-L14	436P55	440P55	.060	3	23	185

[Back to Table of Contents](#)

City Technology Gas Sensor Sockets <i>Continued</i>							
City Technology Model Number	Andon Part Number Replace "XXX" with Terminal Type	Terminal Type		Pin Ø [in]	Pin QTY	Page Number	Figure Number
		Thru-Hole	Surface Mount				
4H/LM	R530-0403-02N-XXX-R27-L14	436P55	440P55	.060	3	23	185
4HN	R530-0403-02N-XXX-R27-L14	436P55	440P55	.060	3	23	185
4HS/LM	R530-0403-02N-XXX-R27-L14	436P55	440P55	.060	3	23	185
4HYT	R530-0403-02N-XXX-R27-L14	436P55	440P55	.060	3	23	185
4ND	R530-0403-02N-XXX-R27-L14	436P55	440P55	.060	3	23	185
4NT	R530-0403-02N-XXX-R27-L14	436P55	440P55	.060	3	23	185
4OX-1	R530-SP03-01T-XXX-R27-L14	436P55	440P55	.060	2	24	188
4OX-2	R530-SP03-01T-XXX-R27-L14	436P55	440P55	.060	2	24	188
4P-50	R300-SP03-02T-XXX-R27-L14	436P55	440P55	.060	3	21	126
4P-50C	R300-SP03-02T-XXX-R27-L14	436P55	440P55	.060	3	21	126
4P-50M	R300-SP03-02T-XXX-R27-L14	436P55	440P55	.060	3	21	126
4P-90	R300-SP03-02T-XXX-R27-L14	436P55	440P55	.060	3	21	126
4P-90C	R300-SP03-02T-XXX-R27-L14	436P55	440P55	.060	3	21	126
4P-90M	R300-SP03-02T-XXX-R27-L14	436P55	440P55	.060	3	21	126
4P-100	R300-SP03-02T-XXX-R27-L14	436P55	440P55	.060	3	21	126
4P-200	R300-SP03-02T-XXX-R27-L14	436P55	440P55	.060	3	21	126
4S	R530-0403-02N-XXX-R27-L14	436P55	440P55	.060	3	23	185
52CF	R670-SP03-01T-XXX-R27-L14	436P55	440P55	.060	3	25	201
52CO	R670-SP03-01T-XXX-R27-L14	436P55	440P55	.060	3	25	201
5F	R670-0804-02N-XXX-R27-L14	433E	285E	.040	4	25	196A
5NF	R670-0804-02N-XXX-R27-L14	433E	285E	.040	4	25	196A
5FO	R670-0802-01T-XXX-R27-L14	436P55	440P55	.060	2	25	193
7CLH	R670-0804-02N-XXX-R27-L14	433E	285E	.040	4	25	196A
7E	R670-0804-02N-XXX-R27-L14	433E	285E	.040	4	25	196A
7E/F	R670-0804-02N-XXX-R27-L14	433E	285E	.040	4	25	196A
7ETO	R670-0804-02N-XXX-R27-L14	433E	285E	.040	4	25	196A
7H	R670-0804-02N-XXX-R27-L14	433E	285E	.040	4	25	196A
7H/LM	R670-0804-02N-XXX-R27-L14	433E	285E	.040	4	25	196A
7HCN	R670-0804-02N-XXX-R27-L14	433E	285E	.040	4	25	196A
7HH	R670-0804-02N-XXX-R27-L14	433E	285E	.040	4	25	196A
7HH/LM	R670-0804-02N-XXX-R27-L14	433E	285E	.040	4	25	196A
7HL	R670-0804-02N-XXX-R27-L14	433E	285E	.040	4	25	196A
7HYE	R670-0804-02N-XXX-R15-L14	433E	285E	.040	4	25	196A
7HYT	R670-0804-02N-XXX-R27-L14	433E	285E	.040	4	25	196A
7NDH	R670-0804-02N-XXX-R27-L14	433E	285E	.040	4	25	196A
7NT	R670-0804-02N-XXX-R27-L14	433E	285E	.040	4	25	196A
7OX-V	R670-SP02-03T-XXX-R27-L14	433E	285E	.040	2	25	200
7OZ	R670-0804-02N-XXX-R27-L14	433E	285E	.040	4	25	196A
7SH	R670-0804-02N-XXX-R27-L14	433E	285E	.040	4	25	196A
7ST/F	R670-0804-02N-XXX-R27-L14	433E	285E	.040	4	25	196A
90N	R140-0402-01T-XXX-R27-L14	01S	93S	.018	2	17	40
A2E/F	R1350-SP03-01T-XXX-R27-L14	433E	285E	.040	3	26	225
A3CO	R1350-SP05-02T-XXX-R27-L14	433E	285E	.040	5	26	226
A3E/F	R1350-SP05-02T-XXX-R27-L14	433E	285E	.040	5	26	226
A3OZ	R1350-SP05-02T-XXX-R27-L14	433E	285E	.040	5	26	226
A7E	R1350-SP05-02T-XXX-R27-L14	433E	285E	.040	5	26	226
A7E/F	R1350-SP05-02T-XXX-R27-L14	433E	285E	.040	5	26	226
CMP200	R075-0402-01T-XXX-R27-L14	274K	281K	.018	2	17	08B
IRceL CO2	R505-SP07-01T-XXX-R27-L14	436P55	440P55	.060	7	23	179
IRceL CH4	R505-SP07-01T-XXX-R27-L14	436P55	440P55	.060	7	23	179
MCO	R510-SP02-01-XXX-R27-L14	436P55	440P55	.060	2	23	180
MHYT-1	R1350-SP03-01T-XXX-R27-L14	433E	285E	.040	3	26	225
MND-1S	R1350-SP05-02T-XXX-R27-L14	433E	285E	.040	5	26	226
MNO-1	R1350-SP05-02T-XXX-R27-L14	433E	285E	.040	5	26	226

©Copyright 2012 Andon Electronics Corporation. All Rights Reserved. This material is protected under US and other copyrights and may not be copied, sold, or redistributed in any form without written permission of Andon Electronics Corporation. Copyrights and trademarks are property of their respective companies. We reserve the right to change specifications without notice.

For Terminal Styles, See Page 29

Sockets are not drawn to scale 06/27/12 GS-12A

[Back to Table of Contents](#)

City Technology Gas Sensor Sockets <i>Continued</i>							
City Technology Model Number	Andon Part Number Replace "XXX" with Terminal Type	Terminal Type		Pin Ø [in]	Pin QTY	Page Number	Figure Number
		Thru-Hole	Surface Mount				
MND-1B	R1350-SP05-02T-XXX-R27-L14	433E	285E	.040	5	26	226
MND-2	R670-0804-02N-XXX-R27-L14	433E	285E	.040	4	25	196A
MNO-2	R670-0804-02N-XXX-R27-L14	433E	285E	.040	4	25	196A
MNO-2B	R670-0804-02N-XXX-R27-L14	433E	285E	.040	4	25	196A
P50	R140-0402-01T-XXX-R27-L14	01S	93S	.018	2	17	40
P90	R140-0402-01T-XXX-R27-L14	01S	93S	.018	2	17	40

Dynamet Limited Gas Sensor Sockets							
Dynamet Limited Model Number	Andon Part Number Replace "XXX" with Terminal Type	Terminal Type		Pin Ø [in]	Pin QTY	Page Number	Figure Number
		Thru-Hole	Surface Mount				
TDS0003	R505-SP07-01T-XXX-R27-L14	436P55	440P55	.060	7	23	179
TDS0004	R505-SP07-01T-XXX-R27-L14	436P55	440P55	.060	7	23	179
TDS0024	R505-SP07-01T-XXX-R27-L14	436P55	440P55	.060	7	23	179
TDS0031	R505-SP07-01T-XXX-R27-L14	436P55	440P55	.060	7	23	179
TDS0034	R420-SP05-04T-XXX-R27-L14	436P55	440P55	.060	5	22	166
TDS0035	R420-SP05-04T-XXX-R27-L14	436P55	440P55	.060	5	22	166
TDS0036	R420-SP05-04T-XXX-R27-L14	436P55	440P55	.060	5	22	166
TDS0037	R420-SP05-04T-XXX-R27-L14	436P55	440P55	.060	5	22	166
TDS0048	R420-SP05-04T-XXX-R27-L14	436P55	440P55	.060	5	22	166
TDS0054	R420-SP05-04T-XXX-R27-L14	436P55	440P55	.060	5	22	166
TDS0055	R420-SP05-04T-XXX-R27-L14	436P55	440P55	.060	5	22	166
TDS0057	R420-SP05-04T-XXX-R27-L14	436P55	440P55	.060	5	22	166
TDS0058	R420-SP05-04T-XXX-R27-L14	436P55	440P55	.060	5	22	166
TDS5001	R505-SP07-01T-XXX-R27-L14	436P55	440P55	.060	7	23	179
TDS5002	R505-SP07-01T-XXX-R27-L14	436P55	440P55	.060	7	23	179

e2v Technology Gas Sensor Sockets							
e2v Technology Model Number	Andon Part Number Replace "XXX" with Terminal Type	Terminal Type		Pin Ø [in]	Pin QTY	Page Number	Figure Number
		Thru-Hole	Surface Mount				
EC410	R530-0403-02N-XXX-R27-L14	436P55	440P55	.060	3	23	185
EC4-1-CIO2	R530-0403-02N-XXX-R27-L14	436P55	440P55	.060	3	23	185
EC4-20-SO2	R530-0403-02N-XXX-R27-L14	436P55	440P55	.060	3	23	185
EC4-20-NO2	R530-0403-02N-XXX-R27-L14	436P55	440P55	.060	3	23	185
EC4-20-PH3	R530-0403-02N-XXX-R27-L14	436P55	440P55	.060	3	23	185
EC4-50-CIO2	R530-0403-02N-XXX-R27-L14	436P55	440P55	.060	3	23	185
EC4-100-ETO	R530-0403-02N-XXX-R27-L14	436P55	440P55	.060	3	23	185
EC4-100-H2S	R530-0403-02N-XXX-R27-L14	436P55	440P55	.060	3	23	185
EC4-200-ETO	R530-0403-02N-XXX-R27-L14	436P55	440P55	.060	3	23	185
EC4-250-NO	R530-0403-02N-XXX-R27-L14	436P55	440P55	.060	3	23	185
EC4-500-CO	R530-0403-02N-XXX-R27-L14	436P55	440P55	.060	3	23	185
EC4-1000-ETO	R530-0403-02N-XXX-R27-L14	436P55	440P55	.060	3	23	185
EC4-1000-H2	R530-0403-02N-XXX-R27-L14	436P55	440P55	.060	3	23	185
EC4-1000-H2S	R530-0403-02N-XXX-R27-L14	436P55	440P55	.060	3	23	185
EC4-2000-CO	R530-0403-02N-XXX-R27-L14	436P55	440P55	.060	3	23	185
EC4-2000-NO	R530-0403-02N-XXX-R27-L14	436P55	440P55	.060	3	23	185
EC4-2000-SO2	R530-0403-02N-XXX-R27-L14	436P55	440P55	.060	3	23	185
IR1xxx Series 1	R390-SP06-01T-XXX-R27-L14	436P55	440P55	.060	6	22	150
IR1xxx Series 2	R505-SP07-01T-XXX-R27-L14	436P55	440P55	.060	7	23	179
IR2xxx Series 1	R390-SP06-01T-XXX-R27-L14	436P55	440P55	.060	6	22	150
IR2xxx Series 2	R505-SP07-01T-XXX-R27-L14	436P55	440P55	.060	7	23	179
IR3xxx Series	R390-SP06-01T-XXX-R27-L14	436P55	440P55	.060	6	22	150

©Copyright 2012 Andon Electronics Corporation. All Rights Reserved. This material is protected under US and other copyrights and may not be copied, sold, or redistributed in any form without written permission of Andon Electronics Corporation. Copyrights and trademarks are property of their respective companies. We reserve the right to change specifications without notice.

For Terminal Styles, See Page 29

Sockets are not drawn to scale 06/27/12 GS-12A

[Back to Table of Contents](#)

e2v Technology Gas Sensor Sockets <i>Continued</i>							
e2v Technology Model Number	Andon Part Number Replace "XXX" with Terminal Type	Terminal Type		Pin Ø [in]	Pin QTY	Page Number	Figure Number
		Thru-Hole	Surface Mount				
IR4xxx Series	R390-SP06-01T-XXX-R27-L14	436P55	440P55	.060	6	22	150
IR11BR	R390-SP06-01T-XXX-R27-L14	436P55	440P55	.060	6	22	150
IR15TT	R520-SP08-01T-XXX-R27-L14	436P55	440P55	.060	8	23	181
IR15TT-M	R520-SP08-01T-XXX-R27-L14	436P55	440P55	.060	8	23	181
IR15TT-R	R520-SP08-01T-XXX-R27-L14	436P55	440P55	.060	8	23	181
IR25TT	R520-SP08-01T-XXX-R27-L14	436P55	440P55	.060	8	23	181
IR25TT-M	R520-SP08-01T-XXX-R27-L14	436P55	440P55	.060	8	23	181
IR31CE	R390-SP06-01T-XXX-R27-L14	436P55	440P55	.060	6	22	150
IR31SC	R390-SP06-01T-XXX-R27-L14	436P55	440P55	.060	6	22	150
IR31SE	R390-SP06-01T-XXX-R27-L14	436P55	440P55	.060	6	22	150
IR81BB	R390-SP06-01T-XXX-R27-L14	436P55	440P55	.060	6	22	150
IR82BB	R390-SP06-01T-XXX-R27-L14	436P55	440P55	.060	6	22	150
MiCS-2610	R200-0404-01T-XXX-R27-L14	01S	93S	.018	4	18	62B
MiCS-2611	R200-0404-01T-XXX-R27-L14	01S	93S	.018	4	18	62B
MiCS-2710	R200-0404-01T-XXX-R27-L14	01S	93S	.018	4	18	62B
MiCS-5121	R200-0404-01T-XXX-R27-L14	01S	93S	.018	4	18	62B
MiCS-5121WP	R200-0404-01T-XXX-R27-L14	01S	93S	.018	4	18	62B
MiCS-5135	R200-0404-01T-XXX-R27-L14	01S	93S	.018	4	18	62B
MiCS-5521	R200-0404-01T-XXX-R27-L14	01S	93S	.018	4	18	62B
MiCS-5525	R200-0404-01T-XXX-R27-L14	01S	93S	.018	4	18	62B
VQ3 Series	R140-0402-01T-XXX-R27-L14	01S	93S	.018	2	17	40
VQ4	R140-0404-02T-XXX-R27-L14	01S	93S	.018	4	17	43
VQ5MB	R140-0402-01T-XXX-R27-L14	01S	93S	.018	2	17	40
VQ6MB	R140-0402-01T-XXX-R27-L14	01S	93S	.018	2	17	40
VQ21B	R140-0402-01T-XXX-R27-L14	01S	93S	.018	2	17	40
VQ21TSB	R140-0402-01T-XXX-R27-L14	01S	93S	.018	2	17	40
VQ29	R140-0404-02T-XXX-R27-L14	01S	93S	.018	4	17	43
VQ31MB	R140-0402-01T-XXX-R27-L14	01S	93S	.018	2	17	40
VQ35MB	R140-0402-01T-XXX-R27-L14	01S	93S	.018	2	17	40
VQ41TSB	R140-0402-01T-XXX-R27-L14	01S	93S	.018	2	17	40
VQ101	R140-0402-01T-XXX-R27-L14	01S	93S	.018	2	17	40
VQ101HT	R140-0402-01T-XXX-R27-L14	01S	93S	.018	2	17	40
VQ542R	R300-SP03-02T-XXX-R27-L14	436P55	440P55	.060	3	21	126
VQ542RD	R300-SP03-02T-XXX-R27-L14	436P55	440P55	.060	3	21	126
VQ542ZD	R300-SP03-02T-XXX-R27-L14	436P55	440P55	.060	3	21	126
VQ545ZD	R300-SP03-02T-XXX-R27-L14	436P55	440P55	.060	3	21	126
VQ546M	R300-SP03-02T-XXX-R27-L14	436P55	440P55	.060	3	21	126
VQ546MR	R300-SP03-02T-XXX-R27-L14	436P55	440P55	.060	3	21	126
VQ547TS	R300-SP03-02T-XXX-R27-L14	436P55	440P55	.060	3	21	126
VQ548ZD	R300-SP03-02T-XXX-R27-L14	436P55	440P55	.060	3	21	126
VQ548ZD/W	R300-SP03-02T-XXX-R27-L14	436P55	440P55	.060	3	21	126
VQ549ZD	R300-SP03-02T-XXX-R27-L14	436P55	440P55	.060	3	21	126
VQ549ZD/W	R300-SP03-02T-XXX-R27-L14	436P55	440P55	.060	3	21	126

Electrovac Curamik GmbH Gas Sensor Sockets							
Electrovac Curamik GmbH Model Number	Andon Part Number Replace "XXX" with Terminal Type	Terminal Type		Pin Ø [in]	Pin QTY	Page Number	Figure Number
		Thru-Hole	Surface Mount				
SO-XX-001	R200-0404-01T-XXX-R27-L14	01S	93S	.018	4	18	62B
SO-XX-010	R200-0404-01T-XXX-R27-L14	01S	93S	.018	4	18	62B

[Back to Table of Contents](#)

Electrovac Curamik GmbH Gas Sensor Sockets <i>Continued</i>							
Electrovac Curamik GmbH Model Number	Andon Part Number Replace "XXX" with Terminal Type	Terminal Type		Pin Ø [in]	Pin QTY	Page Number	Figure Number
		Thru-Hole	Surface Mount				
SO-XX-020	R200-0404-01T-XXX-R27-L14	01S	93S	.018	4	18	62B
SO-XX-050	R200-0404-01T-XXX-R27-L14	01S	93S	.018	4	18	62B
SO-XX-250	R200-0404-01T-XXX-R27-L14	01S	93S	.018	4	18	62B
SO-XX-960	R200-0404-01T-XXX-R27-L14	01S	93S	.018	4	18	62B
SO-A0-XXX	R400-0804-01T-XXX-R27-L14	295V	439V	.030	4	22	159B
SO-B0-XXX	R400-0804-01T-XXX-R27-L14	295V	439V	.030	4	22	159B
SO-B1-XXX	R400-0804-01T-XXX-R27-L14	295V	439V	.030	4	22	159B
SO-D0-XXX	R400-0804-01T-XXX-R27-L14	295V	439V	.030	4	22	159B
SO-D1-XXX	R400-0804-01T-XXX-R27-L14	295V	439V	.030	4	22	159B

Figaro Gas Sensor Sockets							
Figaro Sensors Model Number	Andon Part Number Replace "XXX" with Terminal Type	Terminal Type		Pin Ø [in]	Pin QTY	Page Number	Figure Number
		Thru-Hole	Surface Mount				
SK-25	R530-0403-02N-XXX-R27-L14	436P55	440P55	.060	3	23	185
TGS 800	R375-0806-01T-XXX-R27-L14	433E	285E	.040	6	21	141
TGS 813	R375-0806-01T-XXX-R27-L14	433E	285E	.040	6	21	141
TGS 821	R375-0806-01T-XXX-R27-L14	433E	285E	.040	6	21	141
TGS 822	R375-0806-01T-XXX-R27-L14	433E	285E	.040	6	21	141
TGS 825	R375-0806-01T-XXX-R27-L14	433E	285E	.040	6	21	141
TGS 826	R375-0806-01T-XXX-R27-L14	433E	285E	.040	6	21	141
TGS 830	R375-0806-01T-XXX-R27-L14	433E	285E	.040	6	21	141
TGS 831	R375-0806-01T-XXX-R27-L14	433E	285E	.040	6	21	141
TGS 832	R375-0806-01T-XXX-R27-L14	433E	285E	.040	6	21	141
TGS 842	R375-0806-01T-XXX-R27-L14	433E	285E	.040	6	21	141
TGS 2180	R200-SP03-01T-XXX-R27-L14	295V	439V	.030	3	19	79
TGS 2442	R200-0404-01T-XXX-R27-L14	01S	93S	.018	4	18	62B
TGS 2444	R200-0404-01T-XXX-R27-L14	01S	93S	.018	4	18	62B
TGS 2600	R200-0404-01T-XXX-R27-L14	01S	93S	.018	4	18	62B
TGS 2602	R200-0404-01T-XXX-R27-L14	01S	93S	.018	4	18	62B
TGS 2610	R200-0404-01T-XXX-R27-L14	01S	93S	.018	4	18	62B
TGS 2611	R200-0404-01T-XXX-R27-L14	01S	93S	.018	4	18	62B
TGS 2612	R200-0404-01T-XXX-R27-L14	01S	93S	.018	4	18	62B
TGS 2620	R200-0404-01T-XXX-R27-L14	01S	93S	.018	4	18	62B
TGS 3830	R200-SP03-01T-XXX-R27-L14	295V	439V	.030	3	19	79
TGS 3870	R200-SP03-01T-XXX-R27-L14	295V	439V	.030	3	19	79
TGS 4160	R375-0806-01T-XXX-R27-L14	433E	285E	.040	6	21	141
TGS 4161	R200-0404-01T-XXX-R27-L14	01S	93S	.018	4	18	62B
TGS 6810	R230-0404-02T-XXX-R27-L14	295V	439V	.030	4	20	96
TGS 6812	R230-0404-02T-XXX-R27-L14	295V	439V	.030	4	20	96

FIS Inc. Gas Sensor Sockets							
FIS Inc. Model Number	Andon Part Number Replace "XXX" with Terminal Type	Terminal Type		Pin Ø [in]	Pin QTY	Page Number	Figure Number
		Thru-Hole	Surface Mount				
SB-11A	R200-SP03-01T-XXX-R27-L14	295V	439V	.030	3	19	79
SB-12A	R200-SP03-01T-XXX-R27-L14	295V	439V	.030	3	19	79
SB-15	R200-SP03-01T-XXX-R27-L14	295V	439V	.030	3	19	79
SB-19	R200-SP03-01T-XXX-R27-L14	295V	439V	.030	3	19	79
SB-30	R200-SP03-01T-XXX-R27-L14	295V	439V	.030	3	19	79
SB-41	R200-SP03-01T-XXX-R27-L14	295V	439V	.030	3	19	79
SB-42A	R200-SP03-01T-XXX-R27-L14	295V	439V	.030	3	19	79
SB-500-12	R200-SP03-01T-XXX-R27-L14	295V	439V	.030	3	19	79

©Copyright 2012 Andon Electronics Corporation. All Rights Reserved. This material is protected under US and other copyrights and may not be copied, sold, or redistributed in any form without written permission of Andon Electronics Corporation. Copyrights and trademarks are property of their respective companies. We reserve the right to change specifications without notice.

[Back to Table of Contents](#)

FIS Inc. Gas Sensor Sockets <i>Continued</i>							
FIS Inc. Model Number	Andon Part Number Replace "XXX" with Terminal Type	Terminal Type		Pin Ø [in]	Pin QTY	Page Number	Figure Number
		Thru-Hole	Surface Mount				
SB-95-12	R200-SP03-01T-XXX-R27-L14	295V	439V	.030	3	19	79
SB-AQ1	R200-SP03-01T-XXX-R27-L14	295V	439V	.030	3	19	79
SP-11	R375-0805-01T-XXX-R27-L14	433E	285E	.040	5	21	139
SP-12A	R375-0805-01T-XXX-R27-L14	433E	285E	.040	5	21	139
SP-15A	R375-0805-01T-XXX-R27-L14	433E	285E	.040	5	21	139
SP-19	R375-0805-01T-XXX-R27-L14	433E	285E	.040	5	21	139
SP-31	R375-0805-01T-XXX-R27-L14	433E	285E	.040	5	21	139
SP3-AQ2	R200-SP03-01T-XXX-R27-L14	295V	439V	.030	3	19	79
SP3S-AQ2	R200-SP03-01T-XXX-R27-L14	295V	439V	.030	3	19	79
SP-41	R375-0805-01T-XXX-R27-L14	433E	285E	.040	5	21	139
SP-42A	R375-0805-01T-XXX-R27-L14	433E	285E	.040	5	21	139
SP-53A	R375-0805-01T-XXX-R27-L14	433E	285E	.040	5	21	139
SP-53B	R375-0805-01T-XXX-R27-L14	433E	285E	.040	5	21	139

Hanwei Electronics, LTD. Gas Sensor Sockets							
Hanwei Electronics LTD. Model Number	Andon Part Number Replace "XXX" with Terminal Type	Terminal Type		Pin Ø [in]	Pin QTY	Page Number	Figure Number
		Thru-Hole	Surface Mount				
ME2-CO	R550-0802-02T-XXX-R27-L14	436P55	440P55	.060	2	24	190
ME3-CO	R550-0803-01T-XXX-R27-L14	436P55	440P55	.060	3	24	191
ME3-H2	R550-0803-01T-XXX-R27-L14	436P55	440P55	.060	3	24	191
ME3-H2S	R550-0803-01T-XXX-R27-L14	436P55	440P55	.060	3	24	191
ME3-NH3	R550-0803-01T-XXX-R27-L14	436P55	440P55	.060	3	24	191
ME3-O2	R550-0803-01T-XXX-R27-L14	436P55	440P55	.060	3	24	191
ME4-CO	R670-0803-01T-XXX-R27-L14	436P55	440P55	.060	3	25	194
ME4-H2	R670-0803-01T-XXX-R27-L14	436P55	440P55	.060	3	25	194
ME4-H2S	R670-0803-01T-XXX-R27-L14	436P55	440P55	.060	3	25	194
MG-811	R375-0806-01T-XXX-R27-L14	433E	285E	.040	6	21	141
MR513	R278-0804-01T-XXX-R27-L14	295V	439V	.030	4	20	112
MQ-2	R375-0806-01T-XXX-R27-L14	433E	285E	.040	6	21	141
MQ-3	R375-0806-01T-XXX-R27-L14	433E	285E	.040	6	21	141
MQ-4	R375-0806-01T-XXX-R27-L14	433E	285E	.040	6	21	141
MQ-5	R375-0806-01T-XXX-R27-L14	433E	285E	.040	6	21	141
MQ-6	R375-0806-01T-XXX-R27-L14	433E	285E	.040	6	21	141
MQ-7	R375-0806-01T-XXX-R27-L14	433E	285E	.040	6	21	141
MQ-8	R375-0806-01T-XXX-R27-L14	433E	285E	.040	6	21	141
MQ-9	R375-0806-01T-XXX-R27-L14	433E	285E	.040	6	21	141
MQ-214	R173-0802-01T-XXX-R27-L14	01S	93S	.018	2	18	48
MQ306A	R167-0403-01T-XXX-R27-L14	01S	93S	.018	3	18	46
MQ307A	R167-0403-01T-XXX-R27-L14	01S	93S	.018	3	18	46
MQ309A	R167-0403-01T-XXX-R27-L14	01S	93S	.018	3	18	46

Heimann Sensor GmbH Gas Sensor Sockets							
Heimann Sensor GmbH Model Number	Andon Part Number Replace "XXX" with Terminal Type	Terminal Type		Pin Ø [in]	Pin QTY	Page Number	Figure Number
		Thru-Hole	Surface Mount				
HIS Series	R230-0404-01T-XXX-R27-L14	01S	93S	.018	4	19	95
HMS J11	R100-0404-01T-XXX-R27-L14	75S	384S	.018	4	17	27CT
HMS J21	R100-0404-01T-XXX-R27-L14	75S	384S	.018	4	17	27CT
HMS Z11	R100-0404-01T-XXX-R27-L14	75S	384S	.018	4	17	27CT
HTS A11	R200-0404-01T-XXX-R27-L14	01S	93S	.018	4	18	62B
HTS B21	R200-0404-01T-XXX-R27-L14	01S	93S	.018	4	18	62B

©Copyright 2012 Andon Electronics Corporation. All Rights Reserved. This material is protected under US and other copyrights and may not be copied, sold, or redistributed in any form without written permission of Andon Electronics Corporation. Copyrights and trademarks are property of their respective companies. We reserve the right to change specifications without notice.

[Back to Table of Contents](#)

Heimann Sensor GmbH Gas Sensor Sockets <i>Continued</i>							
Heimann Sensor GmbH Model Number	Andon Part Number Replace "XXX" with Terminal Type	Terminal Type		Pin Ø [in]	Pin QTY	Page Number	Figure Number
		Thru-Hole	Surface Mount				
HTS B31	R200-0404-01T-XXX-R27-L14	01S	93S	.018	4	18	62B
HTS C21	R200-0404-01T-XXX-R27-L14	01S	93S	.018	4	18	62B
HTS C31	R200-0404-01T-XXX-R27-L14	01S	93S	.018	4	18	62B
HTS E21	R200-0404-01T-XXX-R27-L14	01S	93S	.018	4	18	62B
HTS E31	R200-0404-01T-XXX-R27-L14	01S	93S	.018	4	18	62B
HTS Q21	R200-0806-01T-XXX-R27-L14	211S	384S	.018	6	19	66

Measurement Specialties Presure Transducers Sensor Sockets							
Measurement Specialties Sensors Model Number	Andon Part Number Replace "XXX" with Terminal Type	Terminal Type		Pin Ø [in]	Pin QTY	Page Number	Figure Number
		Thru-Hole	Surface Mount				
50	R200-0404-01T-XXX-R27-L14	01S	93S	.018	4	18	62B
13 1psi	R400-SP08-02T-XXX-R27-L14	75S	265S	.018	8	22	163-2
23 1psi	R400-SP08-02T-XXX-R27-L14	75S	265S	.018	8	22	163-2
33 1psi	R400-SP08-02T-XXX-R27-L14	75S	265S	.018	8	22	163-2
43 1psi	R400-SP08-02T-XXX-R27-L14	75S	265S	.018	8	22	163-2
1210 1psi	(2) 405-04-XXX-R27-L14	01S	93S	.018	4	27	S04
1220 1psi	(2) 405-04-XXX-R27-L14	01S	93S	.018	4	27	S04
13 Std	R400-SP08-02T-XXX-R27-L14	75S	265S	.018	8	22	163-2
23 Std	R400-SP08-02T-XXX-R27-L14	75S	265S	.018	8	22	163-2
33 Std	R400-SP08-02T-XXX-R27-L14	75S	265S	.018	8	22	163-2
43 Std	R400-SP08-02T-XXX-R27-L14	75S	265S	.018	8	22	163-2
1210 Std	(2) 405-04-XXX-R27-L14	01S	93S	.018	4	27	S04
1220 Std	(2) 405-04-XXX-R27-L14	01S	93S	.018	4	27	S04
1210 Sub psi	(2) 405-04-XXX-R27-L14	01S	93S	.018	4	27	S04
17 US	R400-SP08-02T-XXX-R27-L14	75S	265S	.018	8	22	163-2
47 US	R400-SP08-02T-XXX-R27-L14	75S	265S	.018	8	22	163-2
MS4415	(2) 405-03-XXX-R27-L14	01S	93S	.018	3	27	S03
MS4416	(2) 405-03-XXX-R27-L14	01S	93S	.018	3	27	S03
MS4425	(2) 405-03-XXX-R27-L14	01S	93S	.018	3	27	S03
MS4426	(2) 405-03-XXX-R27-L14	01S	93S	.018	3	27	S03
1230 US	(2) 405-04-XXX-R27-L14	01S	93S	.018	4	27	S04
TCS208F	R280-0808-01T-XXX-R27-L14	01S	93S	.018	8	20	115
TS105-1	R200-0404-01T-XXX-R27-L14	01S	93S	.018	4	18	62B
TS105-3	R200-0404-01T-XXX-R27-L14	01S	93S	.018	4	18	62B
TS105-4	R200-0404-01T-XXX-R27-L14	01S	93S	.018	4	18	62B
TS105-6	R200-0404-01T-XXX-R27-L14	01S	93S	.018	4	18	62B
TS105-8	R200-1008-03T-XXX-R27-L14	274K	281K	.018	8	19	74
TS105-10	R200-0404-01T-XXX-R27-L14	01S	93S	.018	4	18	62B

Membrapor Gas Sensor Sockets							
Membrapor Sensors Model Number	Andon Part Number Replace "XXX" with Terminal Type	Terminal Type		Pin Ø [in]	Pin QTY	Page Number	Figure Number
		Thru-Hole	Surface Mount				
C2H2/S-2000-S	R1355-SP03-01N-XXX-R27-L14	433E	285E	.040	3	27	228
C2H4/C-10	R670-0804-02N-XXX-R27-L14	433E	285E	.040	4	25	196A
C2H4/C-200	R670-0804-02N-XXX-R27-L14	433E	285E	.040	4	25	196A
C2H4/C-1500	R670-0804-02N-XXX-R27-L14	433E	285E	.040	4	25	196A
C2H4/C-2000	R670-0804-02N-XXX-R27-L14	433E	285E	.040	4	25	196A
C2H4/M-10	R530-0403-02N-XXX-R27-L14	436P55	440P55	.060	3	23	185
C2H4/M-200	R530-0403-02N-XXX-R27-L14	436P55	440P55	.060	3	23	185
C2H4/M-1500	R530-0403-02N-XXX-R27-L14	436P55	440P55	.060	3	23	185
C2H4/M-2000	R530-0403-02N-XXX-R27-L14	436P55	440P55	.060	3	23	185
C2H4/S-10	R1355-SP03-01N-XXX-R27-L14	433E	285E	.040	3	27	228

©Copyright 2012 Andon Electronics Corporation. All Rights Reserved. This material is protected under US and other copyrights and may not be copied, sold, or redistributed in any form without written permission of Andon Electronics Corporation. Copyrights and trademarks are property of their respective companies. We reserve the right to change specifications without notice.

For Terminal Styles, See Page 29

Sockets are not drawn to scale 06/27/12 GS-12A

[Back to Table of Contents](#)

Membrapor Gas Sensor Sockets <i>Continued</i>							
Membrapor Sensors Model Number	Andon Part Number Replace "XXX" with Terminal Type	Terminal Type		Pin Ø [in]	Pin QTY	Page Number	Figure Number
		Thru-Hole	Surface Mount				
C2H4/S-200	R1355-SP03-01N-XXX-R27-L14	433E	285E	.040	3	27	228
C2H4/S-1500	R1355-SP03-01N-XXX-R27-L14	433E	285E	.040	3	27	228
C2H4/S-10-S	R1355-SP03-01N-XXX-R27-L14	433E	285E	.040	3	27	228
C2H4/S-200-S	R1355-SP03-01N-XXX-R27-L14	433E	285E	.040	3	27	228
C2H4/S-1500-S	R1355-SP03-01N-XXX-R27-L14	433E	285E	.040	3	27	228
CH2O/C-10	R670-0804-02N-XXX-R27-L14	433E	285E	.040	4	25	196A
CH2O/M-10	R530-0403-02N-XXX-R27-L14	436P55	440P55	.060	3	23	185
CH2O/M-10-2E	R530-0402-02N-XXX-R27-L14	436P55	440P55	.060	2	23	183
CH2O-M-2000-2E	R530-0402-02N-XXX-R27-L14	436P55	440P55	.060	2	23	183
CH2O/S-10	R1355-SP03-01N-XXX-R27-L14	433E	285E	.040	3	27	228
CH2O/S-10-S	R1355-SP03-01N-XXX-R27-L14	433E	285E	.040	3	27	228
CI2/C-20	R670-0804-02N-XXX-R27-L14	433E	285E	.040	4	25	196A
CI2/C-200	R670-0804-02N-XXX-R27-L14	433E	285E	.040	4	25	196A
CI2/C-5000	R670-0804-02N-XXX-R27-L14	433E	285E	.040	4	25	196A
CI2/M-20	R530-0403-02N-XXX-R27-L14	436P55	440P55	.060	3	23	185
CI2/S-20	R1355-SP03-01N-XXX-R27-L14	433E	285E	.040	3	27	228
CI2/S-50	R1355-SP03-01N-XXX-R27-L14	433E	285E	.040	3	27	228
CI2/S-200	R1355-SP03-01N-XXX-R27-L14	433E	285E	.040	3	27	228
CI2/S-20-S	R1355-SP03-01N-XXX-R27-L14	433E	285E	.040	3	27	228
CI2/S-50-S	R1355-SP03-01N-XXX-R27-L14	433E	285E	.040	3	27	228
CI2/S-200-S	R1355-SP03-01N-XXX-R27-L14	433E	285E	.040	3	27	228
CO/C-1000	R670-0804-02N-XXX-R27-L14	433E	285E	.040	4	25	196A
CO/CF-200	R670-0804-02N-XXX-R27-L14	433E	285E	.040	4	25	196A
CO/CF-500	R670-0804-02N-XXX-R27-L14	433E	285E	.040	4	25	196A
CO/CF-1000	R670-0804-02N-XXX-R27-L14	433E	285E	.040	4	25	196A
CO/CF-2000	R670-0804-02N-XXX-R27-L14	433E	285E	.040	4	25	196A
CO/CFA-200	R670-0804-02N-XXX-R27-L14	433E	285E	.040	4	25	196A
CO/CFA-1000	R670-0804-02N-XXX-R27-L14	433E	285E	.040	4	25	196A
CO/CFA-10000	R670-0804-02N-XXX-R27-L14	433E	285E	.040	4	25	196A
CO/MF-2E	R530-0402-02N-XXX-R27-L14	436P55	440P55	.060	2	23	183
CO/MF-200	R530-0403-02N-XXX-R27-L14	436P55	440P55	.060	3	23	185
CO/MF-500	R530-0403-02N-XXX-R27-L14	436P55	440P55	.060	3	23	185
CO/MF-1000	R530-0403-02N-XXX-R27-L14	436P55	440P55	.060	3	23	185
CO/MF-2000	R530-0403-02N-XXX-R27-L14	436P55	440P55	.060	3	23	185
CO/MFA-500	R530-0403-02N-XXX-R27-L14	436P55	440P55	.060	3	23	185
CO/S-1000	R1355-SP03-01N-XXX-R27-L14	433E	285E	.040	3	27	228
CO/SF-200	R1355-SP03-01N-XXX-R27-L14	433E	285E	.040	3	27	228
CO/SF-500	R1355-SP03-01N-XXX-R27-L14	433E	285E	.040	3	27	228
CO/SF-1000	R1355-SP03-01N-XXX-R27-L14	433E	285E	.040	3	27	228
CO/SF-2000	R1355-SP03-01N-XXX-R27-L14	433E	285E	.040	3	27	228
CO/SF-200-S	R1355-SP03-01N-XXX-R27-L14	433E	285E	.040	3	27	228
CO/SF-500-S	R1355-SP03-01N-XXX-R27-L14	433E	285E	.040	3	27	228
CO/SF-1000-S	R1355-SP03-01N-XXX-R27-L14	433E	285E	.040	3	27	228
CO/SF-2000-S	R1355-SP03-01N-XXX-R27-L14	433E	285E	.040	3	27	228
CO/SF-4000-S	R1355-SP03-01N-XXX-R27-L14	433E	285E	.040	3	27	228
CO/SF-40000-S	R1355-SP02-02N-XXX-R27-L14	433E	285E	.040	2	26	227
CO/SF-2E	R1355-SP02-02N-XXX-R27-L14	433E	285E	.040	2	26	227
CO/SF-2E-S	R1355-SP02-02N-XXX-R27-L14	433E	285E	.040	2	26	227
CO/SF-4E-S	R1355-SP04-03N-XXX-R27-L14	433E	285E	.040	4	27	229
CO/SFA-200	R1355-SP03-01N-XXX-R27-L14	433E	285E	.040	3	27	228
CO/SFA-1000	R1355-SP03-01N-XXX-R27-L14	433E	285E	.040	3	27	228
CO/SFA-10'000	R1355-SP03-01N-XXX-R27-L14	433E	285E	.040	3	27	228
CO/SFA-200-S	R1355-SP03-01N-XXX-R27-L14	433E	285E	.040	3	27	228
CO/SFA-1000-S	R1355-SP03-01N-XXX-R27-L14	433E	285E	.040	3	27	228

[Back to Table of Contents](#)

Membrapor Gas Sensor Sockets <i>Continued</i>							
Membrapor Sensors Model Number	Andon Part Number Replace "XXX" with Terminal Type	Terminal Type		Pin Ø [in]	Pin QTY	Page Number	Figure Number
		Thru-Hole	Surface Mount				
CO/SFA-10'000-S	R1355-SP03-01N-XXX-R27-L14	433E	285E	.040	3	27	228
ETO/C-20	R670-0804-02N-XXX-R27-L14	433E	285E	.040	4	25	196A
H2/C-1000	R670-0804-02N-XXX-R27-L14	433E	285E	.040	4	25	196A
H2/C-2000	R670-0804-02N-XXX-R27-L14	433E	285E	.040	4	25	196A
H2/C-5000	R670-0804-02N-XXX-R27-L14	433E	285E	.040	4	25	196A
H2/C-20000	R670-0804-02N-XXX-R27-L14	433E	285E	.040	4	25	196A
H2/CA-1000	R670-0804-02N-XXX-R27-L14	433E	285E	.040	4	25	196A
H2/CB-1000	R670-0804-02N-XXX-R27-L14	433E	285E	.040	4	25	196A
H2/CT-40000	R670-0804-02N-XXX-R27-L14	433E	285E	.040	4	25	196A
H2/M-1000	R530-0403-02N-XXX-R27-L14	436P55	440P55	.060	3	23	185
H2/M-4000	R530-0403-02N-XXX-R27-L14	436P55	440P55	.060	3	23	185
H2/S-1000	R1355-SP03-01N-XXX-R27-L14	433E	285E	.040	3	27	228
H2/S-2000	R1355-SP03-01N-XXX-R27-L14	433E	285E	.040	3	27	228
H2/S-1000-S	R1355-SP03-01N-XXX-R27-L14	433E	285E	.040	3	27	228
H2/S-10000-S	R1355-SP03-01N-XXX-R27-L14	433E	285E	.040	3	27	228
H2/SA-1000	R1355-SP03-01N-XXX-R27-L14	433E	285E	.040	3	27	228
H2O2/CB-100	R670-0804-02N-XXX-R27-L14	433E	285E	.040	4	25	196A
H2O2/CB-500	R670-0804-02N-XXX-R27-L14	433E	285E	.040	4	25	196A
H2S/C-50	R670-0804-02N-XXX-R27-L14	433E	285E	.040	4	25	196A
H2S/C-200	R670-0804-02N-XXX-R27-L14	433E	285E	.040	4	25	196A
H2S/C-1000	R670-0804-02N-XXX-R27-L14	433E	285E	.040	4	25	196A
H2S/C-2000	R670-0804-02N-XXX-R27-L14	433E	285E	.040	4	25	196A
H2S/C-5000	R670-0804-02N-XXX-R27-L14	433E	285E	.040	4	25	196A
H2S/CD-5000	R670-0804-02N-XXX-R27-L14	433E	285E	.040	4	25	196A
H2S/M-50	R530-0403-02N-XXX-R27-L14	436P55	440P55	.060	3	23	185
H2S/M-100	R530-0403-02N-XXX-R27-L14	436P55	440P55	.060	3	23	185
H2S/M-500	R530-0403-02N-XXX-R27-L14	436P55	440P55	.060	3	23	185
H2S/M-2000	R530-0403-02N-XXX-R27-L14	436P55	440P55	.060	3	23	185
H2S/S-50	R1355-SP03-01N-XXX-R27-L14	433E	285E	.040	3	27	228
H2S/S-200	R1355-SP03-01N-XXX-R27-L14	433E	285E	.040	3	27	228
H2S/S-1000	R1355-SP03-01N-XXX-R27-L14	433E	285E	.040	3	27	228
H2S/S-10000	R1355-SP03-01N-XXX-R27-L14	433E	285E	.040	3	27	228
H2S/M-200-2E	R530-0402-02N-XXX-R27-L14	436P55	440P55	.060	2	23	183
H2S/S-50-S	R1355-SP03-01N-XXX-R27-L14	433E	285E	.040	3	27	228
H2S/S-200-S	R1355-SP03-01N-XXX-R27-L14	433E	285E	.040	3	27	228
H2S/S-1000-S	R1355-SP03-01N-XXX-R27-L14	433E	285E	.040	3	27	228
H2S/S-10000-S	R1355-SP03-01N-XXX-R27-L14	433E	285E	.040	3	27	228
H2S/SD-20000	R1355-SP03-01N-XXX-R27-L14	433E	285E	.040	3	27	228
HCI/C-20	R670-0804-02N-XXX-R27-L14	433E	285E	.040	4	25	196A
HCI/C-200	R670-0804-02N-XXX-R27-L14	433E	285E	.040	4	25	196A
HCI/C-1000	R670-0804-02N-XXX-R27-L14	433E	285E	.040	4	25	196A
HCI/C-3000	R670-0804-02N-XXX-R27-L14	433E	285E	.040	4	25	196A
HCI/M-20	R530-0403-02N-XXX-R27-L14	436P55	440P55	.060	3	23	185
HCN/C-100	R670-0804-02N-XXX-R27-L14	433E	285E	.040	4	25	196A
HCN/M-50	R530-0403-02N-XXX-R27-L14	436P55	440P55	.060	3	23	185
NH3/CR-200	R670-0804-02N-XXX-R27-L14	433E	285E	.040	4	25	196A
NH3/CR-1000	R670-0804-02N-XXX-R27-L14	433E	285E	.040	4	25	196A
NH3/CR-5000	R670-0804-02N-XXX-R27-L14	433E	285E	.040	4	25	196A
NH3/MR-100	R530-0403-02N-XXX-R27-L14	436P55	440P55	.060	3	23	185
NH3/MR-100-2E	R530-0402-02N-XXX-R27-L14	436P55	440P55	.060	2	23	183
NH3/MR-500	R530-0403-02N-XXX-R27-L14	436P55	440P55	.060	3	23	185
NH3/MR-1000	R530-0403-02N-XXX-R27-L14	436P55	440P55	.060	3	23	185
NH3/SR-200	R1355-SP03-01N-XXX-R27-L14	433E	285E	.040	3	27	228
NH3/SR-200-S	R1355-SP03-01N-XXX-R27-L14	433E	285E	.040	3	27	228
NH3/SR-1000	R1355-SP03-01N-XXX-R27-L14	433E	285E	.040	3	27	228
NH3/SR-1000-S	R1355-SP03-01N-XXX-R27-L14	433E	285E	.040	3	27	228

©Copyright 2012 Andon Electronics Corporation. All Rights Reserved. This material is protected under US and other copyrights and may not be copied, sold, or redistributed in any form without written permission of Andon Electronics Corporation. Copyrights and trademarks are property of their respective companies. We reserve the right to change specifications without notice.

For Terminal Styles, See Page 29

Sockets are not drawn to scale 06/27/12 GS-12A

[Back to Table of Contents](#)

Membrapor Gas Sensor Sockets <i>Continued</i>							
Membrapor Sensors Model Number	Andon Part Number Replace "XXX" with Terminal Type	Terminal Type		Pin Ø [in]	Pin QTY	Page Number	Figure Number
		Thru-Hole	Surface Mount				
NO2/C-20	R670-0804-02N-XXX-R27-L14	433E	285E	.040	4	25	196A
NO/C-25	R670-0804-02N-XXX-R27-L14	433E	285E	.040	4	25	196A
NO/C-100	R670-0804-02N-XXX-R27-L14	433E	285E	.040	4	25	196A
NO/CF-100	R670-0804-02N-XXX-R27-L14	433E	285E	.040	4	25	196A
NO/CF-2000	R670-0804-02N-XXX-R27-L14	433E	285E	.040	4	25	196A
NO/M-250	R530-0403-02N-XXX-R27-L14	436P55	440P55	.060	3	23	185
NO/M-1000	R530-0403-02N-XXX-R27-L14	436P55	440P55	.060	3	23	185
NO/S-25	R1355-SP03-01N-XXX-R27-L14	433E	285E	.040	3	27	228
NO/S-25-S	R1355-SP03-01N-XXX-R27-L14	433E	285E	.040	3	27	228
NO/S-100-S	R1355-SP03-01N-XXX-R27-L14	433E	285E	.040	3	27	228
NO/SF-100	R1355-SP03-01N-XXX-R27-L14	433E	285E	.040	3	27	228
NO/SF-100-S	R1355-SP03-01N-XXX-R27-L14	433E	285E	.040	3	27	228
NO/SF-1000	R1355-SP03-01N-XXX-R27-L14	433E	285E	.040	3	27	228
NO/SF-1000-S	R1355-SP03-01N-XXX-R27-L14	433E	285E	.040	3	27	228
NO/SF-2000-S	R1355-SP03-01N-XXX-R27-L14	433E	285E	.040	3	27	228
NO/SF-5000	R1355-SP03-01N-XXX-R27-L14	433E	285E	.040	3	27	228
NO/SF-5000-S	R1355-SP03-01N-XXX-R27-L14	433E	285E	.040	3	27	228
NO2/M-2E	R530-0402-02N-XXX-R27-L14	436P55	440P55	.060	2	23	183
NO2/M-20	R530-0403-02N-XXX-R27-L14	436P55	440P55	.060	3	23	185
NO2/M-100	R530-0403-02N-XXX-R27-L14	436P55	440P55	.060	3	23	185
NO2/S-20-S	R1355-SP03-01N-XXX-R27-L14	433E	285E	.040	3	27	228
NO2/S-100	R1355-SP03-01N-XXX-R27-L14	433E	285E	.040	3	27	228
NO2/S-500-S	R1355-SP03-01N-XXX-R27-L14	433E	285E	.040	3	27	228
NO2/S-1000	R1355-SP03-01N-XXX-R27-L14	433E	285E	.040	3	27	228
NO2/S-1000-S	R1355-SP03-01N-XXX-R27-L14	433E	285E	.040	3	27	228
O3/C-5	R670-0804-02N-XXX-R27-L14	433E	285E	.040	4	25	196A
O3/C-100	R670-0804-02N-XXX-R27-L14	433E	285E	.040	4	25	196A
O3/C-200	R670-0804-02N-XXX-R27-L14	433E	285E	.040	4	25	196A
O3/C-1000	R670-0804-02N-XXX-R27-L14	433E	285E	.040	4	25	196A
O3/C-5000	R670-0804-02N-XXX-R27-L14	433E	285E	.040	4	25	196A
O3/M-5	R530-0403-02N-XXX-R27-L14	436P55	440P55	.060	3	23	185
O3/M-100	R530-0403-02N-XXX-R27-L14	436P55	440P55	.060	3	23	185
O3/S-5	R1355-SP03-01N-XXX-R27-L14	433E	285E	.040	3	27	228
O3/S-5-S	R1355-SP03-01N-XXX-R27-L14	433E	285E	.040	3	27	228
O3/S-30000	R1355-SP03-01N-XXX-R27-L14	433E	285E	.040	3	27	228
PH3/C-5	R670-0804-02N-XXX-R27-L14	433E	285E	.040	4	25	196A
PH3/C-500	R670-0804-02N-XXX-R27-L14	433E	285E	.040	4	25	196A
PH3/C-1000	R670-0804-02N-XXX-R27-L14	433E	285E	.040	4	25	196A
PH3/C-2000	R670-0804-02N-XXX-R27-L14	433E	285E	.040	4	25	196A
PH3/M-5	R530-0403-02N-XXX-R27-L14	436P55	440P55	.060	3	23	185
PH3/M-20	R530-0403-02N-XXX-R27-L14	436P55	440P55	.060	3	23	185
PH3/S-5	R1355-SP03-01N-XXX-R27-L14	433E	285E	.040	3	27	228
PH3/S-5-S	R1355-SP03-01N-XXX-R27-L14	433E	285E	.040	3	27	228
SERIES 4 TO 3	RA530-0403-01-XXX-R27-L14	N/A	440P55	.060	3	28	254
SERIES 4 TO 7	RA530-0403-02-XXX-R27-L14	N/A	440P55	.060	3	28	255
SiH4/C-20	R670-0804-02N-XXX-R27-L14	433E	285E	.040	4	25	196A
SiH4/C-50	R670-0804-02N-XXX-R27-L14	433E	285E	.040	4	25	196A
SiH4/M-50	R530-0403-02N-XXX-R27-L14	436P55	440P55	.060	3	23	185
SiH4/S-50	R1355-SP03-01N-XXX-R27-L14	433E	285E	.040	3	27	228
SiH4/S-50-S	R1355-SP03-01N-XXX-R27-L14	433E	285E	.040	3	27	228
SO2/C-20	R670-0804-02N-XXX-R27-L14	433E	285E	.040	4	25	196A
SO2/C-100	R670-0804-02N-XXX-R27-L14	433E	285E	.040	4	25	196A
SO2/C-2000	R670-0804-02N-XXX-R27-L14	433E	285E	.040	4	25	196A
SO2/CF-20	R670-0804-02N-XXX-R27-L14	433E	285E	.040	4	25	196A
SO2/CF-100	R670-0804-02N-XXX-R27-L14	433E	285E	.040	4	25	196A

©Copyright 2012 Andon Electronics Corporation. All Rights Reserved. This material is protected under US and other copyrights and may not be copied, sold, or redistributed in any form without written permission of Andon Electronics Corporation. Copyrights and trademarks are property of their respective companies. We reserve the right to change specifications without notice.

For Terminal Styles, See Page 29

Sockets are not drawn to scale 06/27/12 GS-12A

[Back to Table of Contents](#)

Membrapor Gas Sensor Sockets <i>Continued</i>							
Membrapor Sensors Model Number	Andon Part Number Replace "XXX" with Terminal Type	Terminal Type		Pin Ø [in]	Pin QTY	Page Number	Figure Number
		Thru-Hole	Surface Mount				
SO2/M-20	R530-0403-02N-XXX-R27-L14	436P55	440P55	.060	3	23	185
SO2/MF-20	R530-0403-02N-XXX-R27-L14	436P55	440P55	.060	3	23	185
SO2/S-20	R1355-SP03-01N-XXX-R27-L14	433E	285E	.040	3	27	228
SO2/S-20-S	R1355-SP03-01N-XXX-R27-L14	433E	285E	.040	3	27	228
SO2/S-100	R1355-SP03-01N-XXX-R27-L14	433E	285E	.040	3	27	228
SO2/S-2000-S	R1355-SP03-01N-XXX-R27-L14	433E	285E	.040	3	27	228
SO2/SF-100	R1355-SP03-01N-XXX-R27-L14	433E	285E	.040	3	27	228
SO2/SF-100-S	R1355-SP03-01N-XXX-R27-L14	433E	285E	.040	3	27	228
SO2/SF-2000-S	R1355-SP03-01N-XXX-R27-L14	433E	285E	.040	3	27	228

Microsens, SA Gas Sensor Sockets							
Microsens, SA Model Number	Andon Part Number Replace "XXX" with Terminal Type	Terminal Type		Pin Ø [in]	Pin QTY	Page Number	Figure Number
		Thru-Hole	Surface Mount				
MCGS-2102	R200-0404-01T-XXX-R27-L14	01S	93S	.018	4	18	62B
MSGGS-3001-B	R200-0404-01T-XXX-R27-L14	01S	93S	.018	4	18	62B
MSGGS-3001-D	R100-0404-02T-XXX-R27-L14	400T4	414T4	.012	4	17	28AT
MSGGS-3002-B	R200-0404-01T-XXX-R27-L14	01S	93S	.018	4	18	62B
MSGGS-3002-D	R100-0404-02T-XXX-R27-L14	400T4	414T4	.012	4	17	28AT

Nemoto Environmental Technology Gas Sensor Sockets							
Nemoto Environmental Technology Model Number	Andon Part Number Replace "XXX" with Terminal Type	Terminal Type		Pin Ø [in]	Pin QTY	Page Number	Figure Number
		Thru-Hole	Surface Mount				
NAP-50A	R230-0404-02T-XXX-R27-L14	295V	439V	.030	4	19	96
NAP-55A	R230-0404-02T-XXX-R27-L14	295V	439V	.030	4	19	96
NAP-66A	R230-0404-02T-XXX-R27-L14	295V	439V	.030	4	19	96
NET-4-10S	R230-0404-02T-XXX-R27-L14	295V	439V	.030	4	19	96
NET-4-13S	R230-0404-02T-XXX-R27-L14	295V	439V	.030	4	19	96
NET-5-10S	R300-SP03-02T-XXX-R27-L14	436P55	440P55	.060	3	21	126
NET-5-13S	R300-SP03-02T-XXX-R27-L14	436P55	440P55	.060	3	21	126
NP-17	R140-0402-01T-XXX-R27-L14	01S	93S	.018	2	17	40
NP-18	R140-0402-01T-XXX-R27-L14	01S	93S	.018	2	17	40
NP-30	R140-0402-01T-XXX-R27-L14	01S	93S	.018	2	17	40
NP-17SH	R275-SP04-01T-XXX-R27-L14	295V	439V	.030	4	20	111
NP-30SH	R275-SP04-01T-XXX-R27-L14	295V	439V	.030	4	20	111
NP-17SL	R230-0404-02T-XXX-R27-L14	295V	439V	.030	4	19	96
NP-17SM	R230-0404-02T-XXX-R27-L14	295V	439V	.030	4	19	96
NP-18SM	R230-0404-02T-XXX-R27-L14	295V	439V	.030	4	19	96
NPL-10S	R230-0404-02T-XXX-R27-L14	295V	439V	.030	4	19	96
NPL-13S	R230-0404-02T-XXX-R27-L14	295V	439V	.030	4	19	96
NP-AC	R118-0402-01T-XXX-R27-L14	75S	265S	.018	2	17	37
NP-AHSM	R230-0404-02T-XXX-R27-L14	295V	439V	.030	4	19	96
NP-ANSM	R230-0404-02T-XXX-R27-L14	295V	439V	.030	4	19	96
NT-CO	R530-0403-02N-XXX-R27-L14	436P55	440P55	.060	3	23	185
NT-CO-2F	301-003-XXX-R27-B10	299S	N/A	.018	3	27	253
NT-CO-LI	R530-0403-02N-XXX-R27-L14	436P55	440P55	.060	3	23	185
NT-H2S	R530-0403-02N-XXX-R27-L14	436P55	440P55	.060	3	23	185
NT-H2S-1	R530-0403-02N-XXX-R27-L14	436P55	440P55	.060	3	23	185
NT-H2S-2	R530-0403-02N-XXX-R27-L14	436P55	440P55	.060	3	23	185
NT-H2S-2F	301-003-XXX-R27-B10	299S	N/A	.018	3	27	253
NT-H2S-3	R530-0403-02N-XXX-R27-L14	436P55	440P55	.060	3	23	185
NT-NH3	R530-0403-02N-XXX-R27-L14	436P55	440P55	.060	3	23	185
NT-NO2	R530-0403-02N-XXX-R27-L14	436P55	440P55	.060	3	23	185

©Copyright 2012 Andon Electronics Corporation. All Rights Reserved. This material is protected under US and other copyrights and may not be copied, sold, or redistributed in any form without written permission of Andon Electronics Corporation. Copyrights and trademarks are property of their respective companies. We reserve the right to change specifications without notice.

For Terminal Styles, See Page 29

Sockets are not drawn to scale 06/27/12 GS-12A

[Back to Table of Contents](#)

Nemoto & CO. LTD. Gas Sensor Sockets							
Nemoto & CO. LTD. Model Number	Andon Part Number Replace "XXX" with Terminal Type	Terminal Type		Pin Ø [in]	Pin QTY	Page Number	Figure Number
		Thru-Hole	Surface Mount				
NAP-2A	R275-0402-01T-XXX-R27-L14	295V	439V	.030	2	20	110
NAP-3A	R275-0402-01T-XXX-R27-L14	295V	439V	.030	2	20	110
NAP-21A	R158-0402-01T-XXX-R27-L14	433E	285E	.040	2	18	44
NAP-50A	R230-0404-02T-XXX-R27-L14	295V	439V	.030	4	19	96
NAP-66A	R230-0404-02T-XXX-R27-L14	295V	439V	.030	4	19	96
NAP-67A	R230-0404-02T-XXX-R27-L14	295V	439V	.030	4	19	96
NA-503RS	301-003-XXX-R27-B10	299S	N/A	.018	3	27	253
NAP-505R	301-003-XXX-R27-B10	299S	N/A	.018	3	27	253
NAP-505S	301-003-XXX-R27-B10	299S	N/A	.018	3	27	253
NAP-505RS	301-003-XXX-R27-B10	299S	N/A	.018	3	27	253
NAP-505-SS	301-003-XXX-R27-B10	299S	N/A	.018	3	27	253

Pyreos Gas Sensor Sockets							
Pyreos Model Number	Andon Part Number Replace "XXX" with Terminal Type	Terminal Type		Pin Ø [in]	Pin QTY	Page Number	Figure Number
		Thru-Hole	Surface Mount				
PY-FTIR-01	R200-0404-01T-XXX-R27-L14	01S	93S	.018	4	18	62B
PY-FTIR-02	R200-0404-01T-XXX-R27-L14	01S	93S	.018	4	18	62B
PY-ITV-SINGLE	R200-0403-04T-XXX-R27-L14	01S	93S	.018	3	18	59
PY-ITV-DUAL	R200-0404-01T-XXX-R27-L14	01S	93S	.018	4	18	62B
PY-I-QUAD	R200-0808-01T-XXX-R27-L14	75S	265S	.018	8	19	72

Senko Gas Sensor Sockets							
Senko Model Number	Andon Part Number Replace "XXX" with Terminal Type	Terminal Type		Pin Ø [in]	Pin QTY	Page Number	Figure Number
		Thru-Hole	Surface Mount				
SS1118	R530-0403-02N-XXX-R27-L14	436P55	440P55	.060	3	23	185
SS1128	R530-0403-02N-XXX-R27-L14	436P55	440P55	.060	3	23	185

SensoriC Gas Sensor Sockets							
SensoriC Model Number	Andon Part Number Replace "XXX" with Terminal Type	Terminal Type		Pin Ø [in]	Pin QTY	Page Number	Figure Number
		Thru-Hole	Surface Mount				
SensoriC Classic	R200-0404-01T-XXX-R27-L14	01S	93S	.018	4	18	62B
SensoriC Mini	R200-0403-04T-XXX-R27-L14	01S	93S	.018	3	18	59
SensoriC Midi	R200-0403-04T-XXX-R27-L14	01S	93S	.018	3	18	59
CTL4 Adaptation	R530-0403-02N-XXX-R27-L14	436P55	440P55	.060	3	23	185
CTL7 Adaptation	R670-0804-02N-XXX-R27-L14	433E	285E	.040	4	25	196A

Sensors Direct Gas Sensor Sockets							
Sensors Direct Model Number	Andon Part Number Replace "XXX" with Terminal Type	Terminal Type		Pin Ø [in]	Pin QTY	Page Number	Figure Number
		Thru-Hole	Surface Mount				
S+4CO	R530-0403-02N-XXX-R27-L14	436P55	440P55	.060	3	23	185
S+H2S	R530-0403-02N-XXX-R27-L14	436P55	440P55	.060	3	23	185
S+4OX	R530-SP02-02N-XXX-R27-L14	436P55	440P55	.060	2	24	187
S+7CO	R670-0804-02N-XXX-R27-L14	433E	285E	.040	4	25	196A
S+7H2S	R670-0804-02N-XXX-R27-L14	433E	285E	.040	4	25	196A
S+7OX	R670-SP02-03T-XXX-R27-L14	433E	285E	.040	2	25	200
S+KGS701	R300-SP03-02T-XXX-R27-L14	436P55	440P55	.060	3	21	126
S+KGS702	R300-SP03-02T-XXX-R27-L14	436P55	440P55	.060	3	21	126
S+KGS703	R300-SP03-02T-XXX-R27-L14	436P55	440P55	.060	3	21	126

Gas Sensor Socket Footprints

[Back to Table of Contents](#)

****Sockets accept $\pm .003$ [± 0.08] diameter Pin Circles**
Sockets may have a notch or tab for orientation purposes

Top View Shown
Units: in [mm]

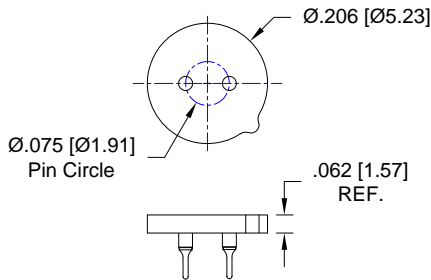


Fig. 08B

Thru-Hole: R075-0402-01T-**274K**-R27-L14
Surface Mount: R075-0402-01T-**281K**-R27-L14

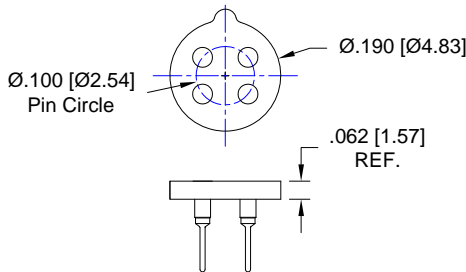


Fig. 28AT

Thru-Hole: R100-0404-02T-**400T4**-R27-L14
Surface Mount: R100-0404-02T-**414T4**-R27-L14

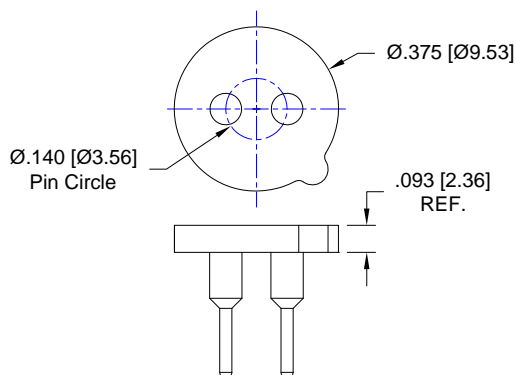


Fig. 40

Thru-Hole: R140-0402-01T-**01S**-R27-L14
Surface Mount: R140-0402-01T-**93S**-R27-L14

©Copyright 2012 Andon Electronics Corporation. All Rights Reserved. This material is protected under US and other copyrights and may not be copied, sold, or redistributed in any form without written permission of Andon Electronics Corporation. Copyrights and trademarks are property of their respective companies. We reserve the right to change specifications without notice.

Thru-hole Shown
Surface mount available
For terminal styles, see page 29

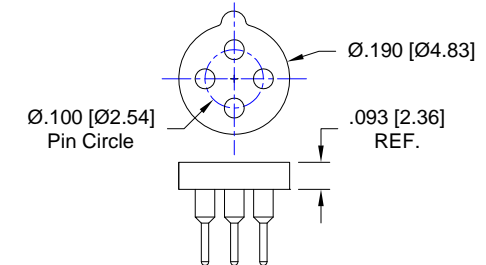


Fig. 27CT

Thru-Hole: R100-0404-01T-**75S**-R27-L14
Surface Mount: R100-0404-01T-**384S**-R27-L14

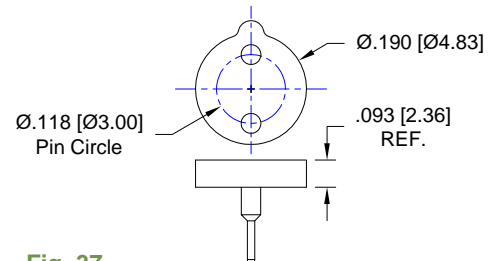


Fig. 37

Thru-Hole: R118-0402-01T-**75S**-R27-L14
Surface Mount: R118-0402-01T-**265S**-R27-L14

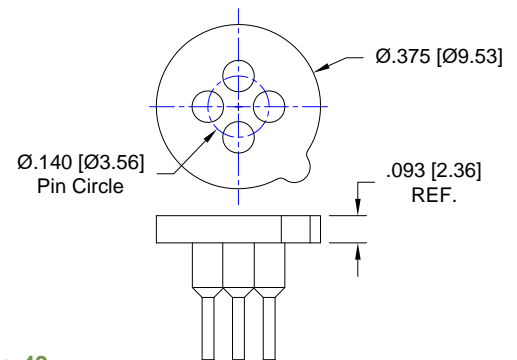


Fig. 43

Thru-Hole: R140-0404-02T-**01S**-R27-L14
Surface Mount: R140-0404-02T-**93S**-R27-L14

Sockets are not drawn to scale 06/27/12 GS-12A

Gas Sensor Socket Footprints

[Back to Table of Contents](#)

****Sockets accept ±.003 [.08] diameter Pin Circles**
Sockets may have a notch or tab for orientation purposes

Top View Shown
Units: in [mm]

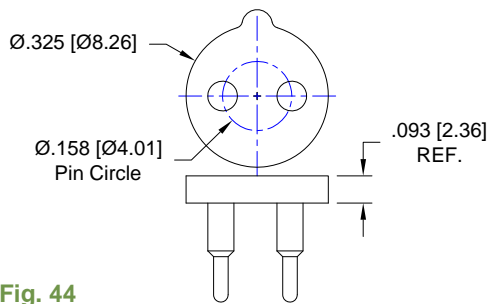
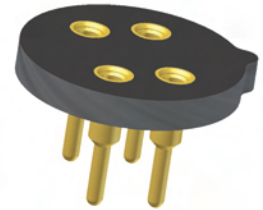


Fig. 44

Thru-Hole: R158-0402-01T-433E-R27-L14

Surface Mount: R158-0402-01T-285E-R27-L14

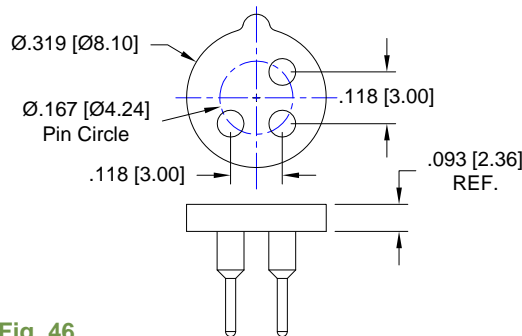


Fig. 46

Thru-Hole: R167-0403-01T-01S-R27-L14

Surface Mount: R167-0403-01T-93S-R27-L14

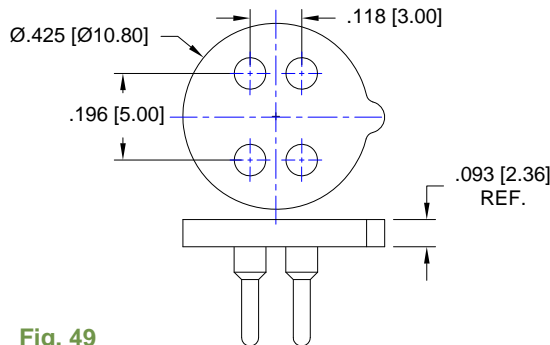


Fig. 49

Thru-Hole: R196-SP04-01T-295V-R27-L14

Surface Mount: R196-SP04-01T-439V-R27-L14

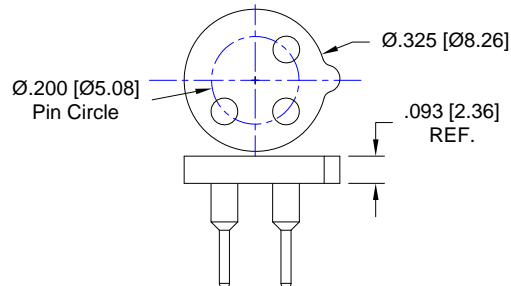


Fig. 59

Thru-Hole: R200-0403-04T-01S-R27-L14

Surface Mount: R200-0403-04T-93S-R27-L14

Thru-hole Shown
Surface mount available
For terminal styles, see page 29

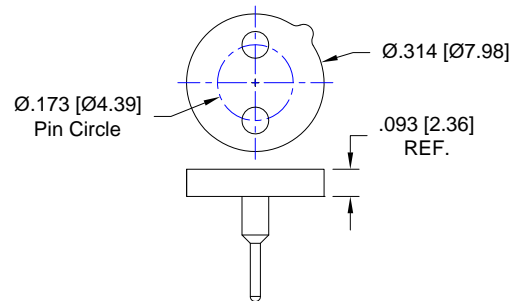


Fig. 48

Thru-Hole: R173-0402-01T-01S-R27-L14

Surface Mount: R173-0402-01T-93S-R27-L14

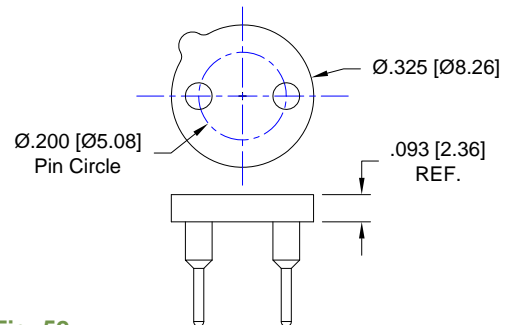


Fig. 52

Thru-Hole: R200-0402-01T-01S-R27-L14

Surface Mount: R200-0402-01T-93S-R27-L14

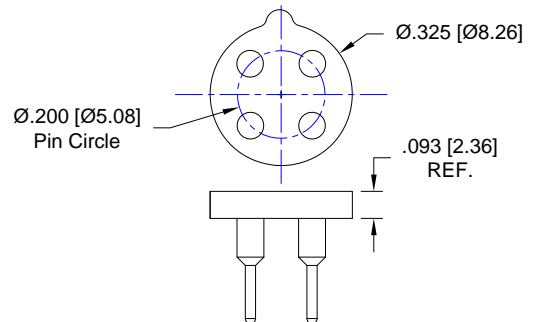


Fig. 62B

Thru-Hole: R200-0404-01T-01S-R27-L14

Surface Mount: R200-0404-01T-93S-R27-L14

©Copyright 2012 Andon Electronics Corporation. All Rights Reserved. This material is protected under US and other copyrights and may not be copied, sold, or redistributed in any form without written permission of Andon Electronics Corporation. Copyrights and trademarks are property of their respective companies. We reserve the right to change specifications without notice.

Sockets are not drawn to scale 06/27/12 GS-12A

Gas Sensor Socket Footprints

[Back to Table of Contents](#)

****Sockets accept $\pm .003$ [$\pm .08$] diameter Pin Circles**
Sockets may have a notch or tab for orientation purposes

Top View Shown
Units: in [mm]

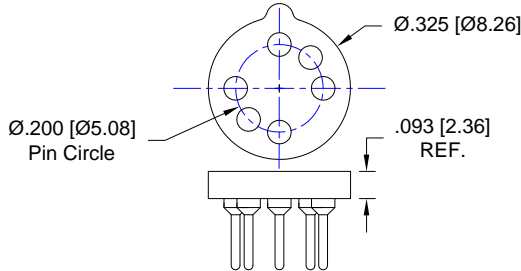


Fig. 66

Thru-Hole: R200-0806-01T-211S-R27-L14
Surface Mount: R200-0806-01T-384S-R27-L14

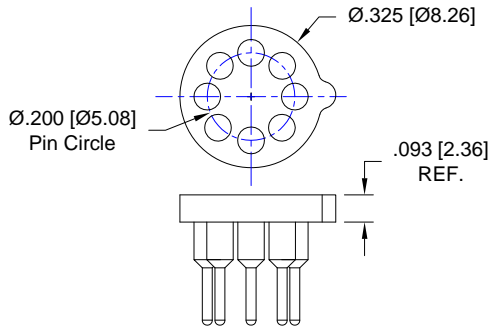


Fig. 72

Thru-Hole: R200-0808-01T-75S-R27-L14
Surface Mount: R200-0808-01T-265S-R27-L14

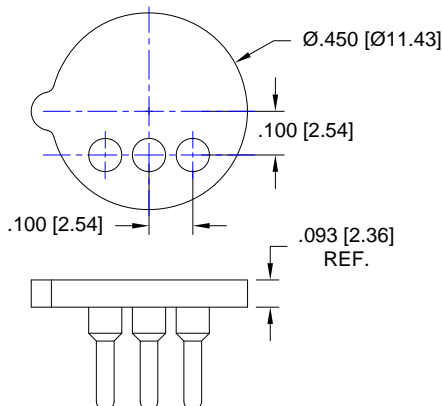
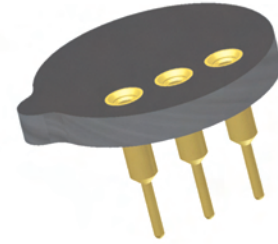


Fig. 80B

Thru-Hole: R200-SP03-03T-295V-R27-L14
Surface Mount: R200-SP03-03T-439V-R27-L14



Thru-hole Shown
Surface mount available
For terminal styles, see page 29

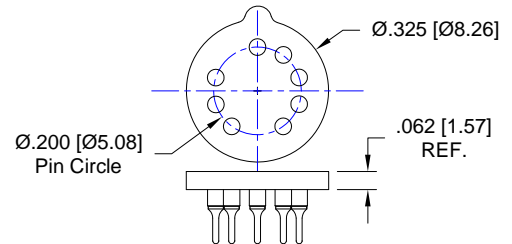


Fig. 74

Thru-Hole: R200-1008-03T-274K-R27-L14
Surface Mount: R200-1008-03T-281K-R27-L14

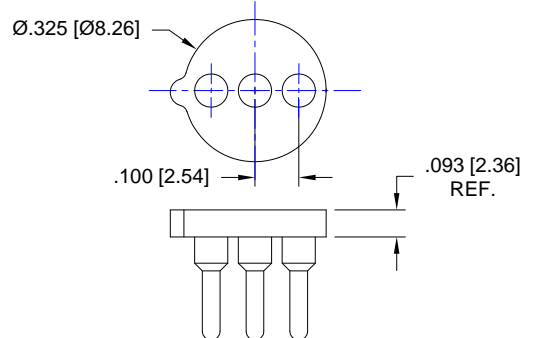


Fig. 79

Thru-Hole: R200-SP03-01T-295V-R27-L14
Surface Mount: R200-SP03-01T-439V-R27-L14

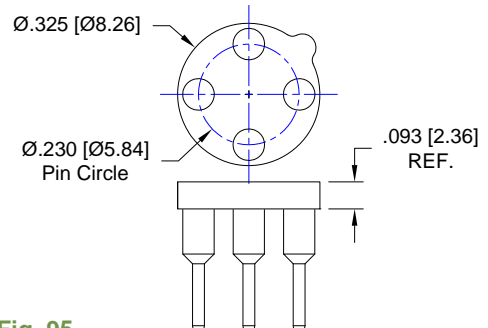


Fig. 95

Thru-Hole: R230-0404-01T-01S-R27-L14
Surface Mount: R230-0404-01T-93S-R27-L14

Sockets are not drawn to scale 06/27/12 GS-12A

Gas Sensor Socket Footprints

[Back to Table of Contents](#)

****Sockets accept $\pm .003$ [0.08] diameter Pin Circles**
Sockets may have a notch or tab for orientation purposes

Top View Shown
Units: in [mm]

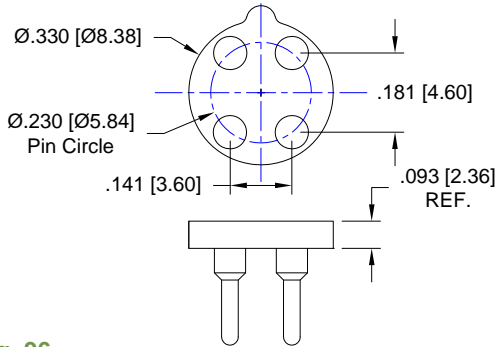
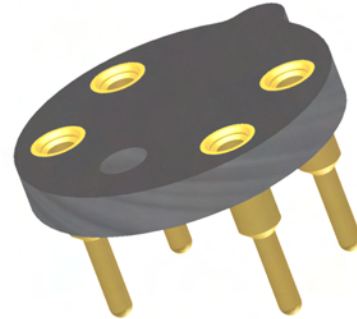


Fig. 96

Thru-Hole: R230-0404-02T-295V-R27-L14
Surface Mount: R230-0404-02T-439V-R27-L14



Thru-hole Shown
Surface mount available
For terminal styles, see page 29

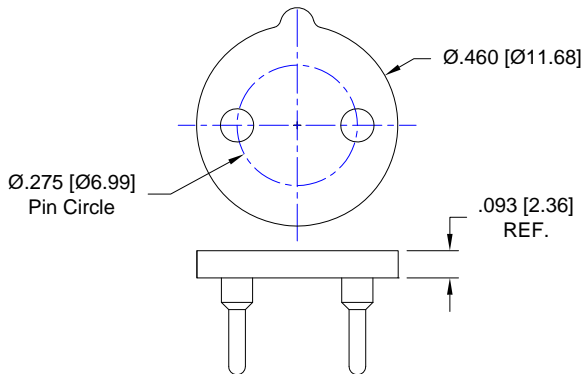


Fig. 110

Thru-Hole: R275-0402-01T-295V-R27-L14
Surface Mount: R275-0402-01T-439V-R27-L14

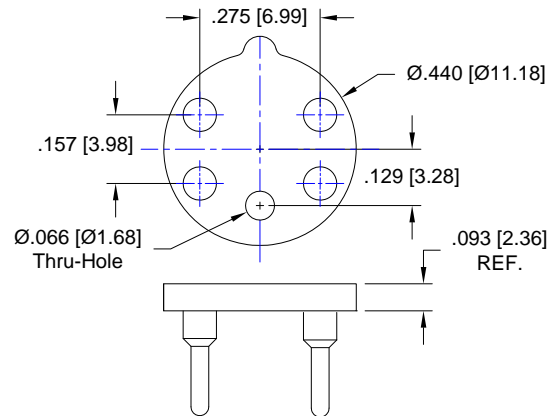


Fig. 111

Thru-Hole: R275-SP04-01T-295V-R27-L14
Surface Mount: R275-SP04-01T-439V-R27-L14

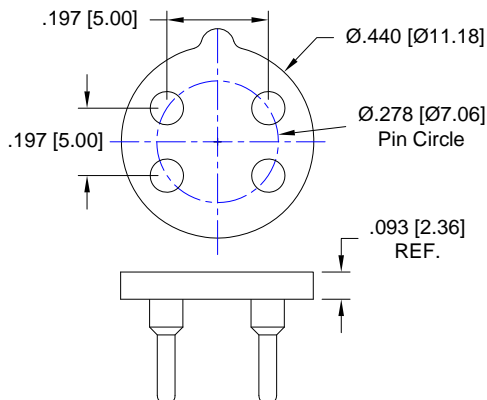


Fig. 112

Thru-Hole: R278-0804-01T-295V-R27-L14
Surface Mount: R278-0804-01T-439V-R27-L14

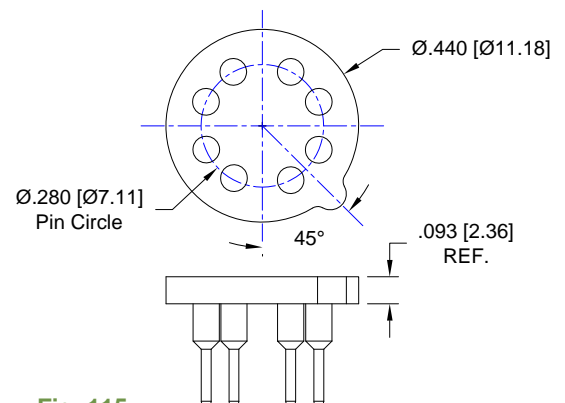


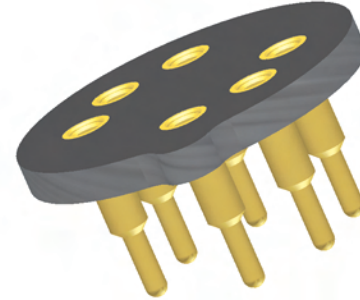
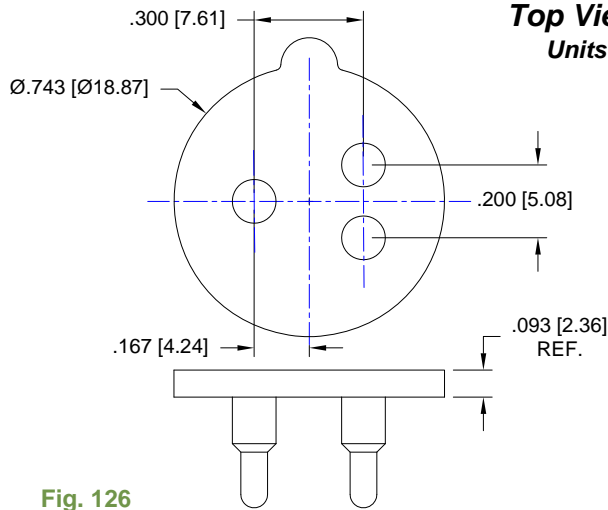
Fig. 115

Thru-Hole: R280-0808-01T-01S-R27-L14
Surface Mount: R280-0808-01T-93S-R27-L14

Gas Sensor Socket Footprints

[Back to Table of Contents](#)

****Sockets accept $\pm .003$ [.08] diameter Pin Circles**
Sockets may have a notch or tab for orientation purposes



Thru-hole Shown
Surface mount available
For terminal styles, see page 29

Fig. 126
Thru-Hole: R300-SP03-02T-436P55-R27-L14
Surface Mount: R300-SP03-02T-440P55-R27-L14

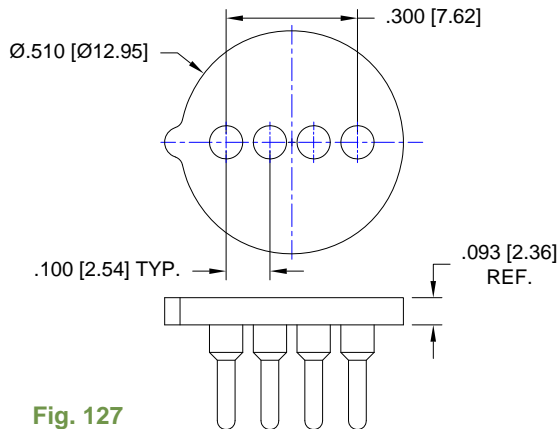


Fig. 127
Thru-Hole: R300-SP04-01T-295V-R27-L14
Surface Mount: R300-SP04-01T-439V-R27-L14

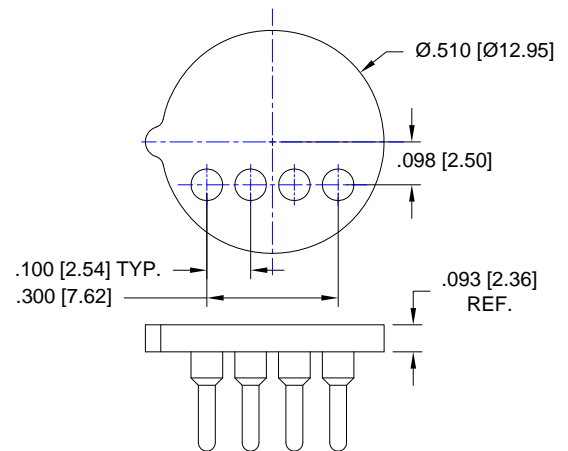


Fig. 128B
Thru-Hole: R300-SP04-02T-295V-R27-L14
Surface Mount: R300-SP04-02T-439V-R27-L14

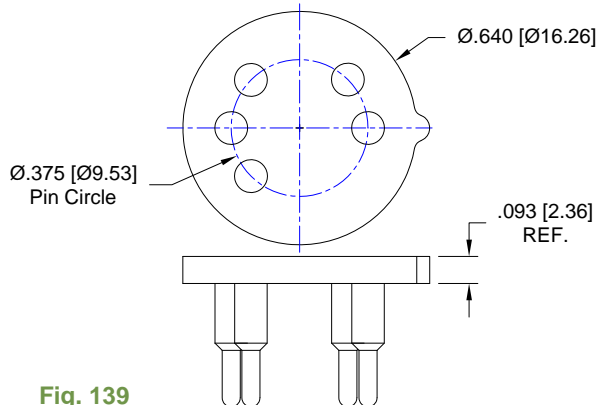


Fig. 139
Thru-Hole: R375-0805-01T-433E-R27-L14
Surface Mount: R375-0805-01T-285E-R27-L14

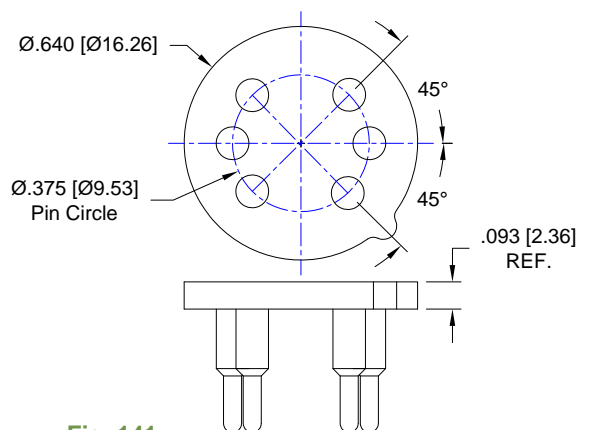


Fig. 141
Thru-Hole: R375-0806-01T-433E-R27-L14
Surface Mount: R375-0806-01T-285E-R27-L14

Sockets are not drawn to scale 06/27/12 GS-12A

©Copyright 2012 Andon Electronics Corporation. All Rights Reserved. This material is protected under US and other copyrights and may not be copied, sold, or redistributed in any form without written permission of Andon Electronics Corporation. Copyrights and trademarks are property of their respective companies. We reserve the right to change specifications without notice.

Gas Sensor Socket Footprints

[Back to Table of Contents](#)

****Sockets accept $\pm .003$ [.08] diameter Pin Circles**
Sockets may have a notch or tab for orientation purposes

Top View Shown
Units: in [mm]

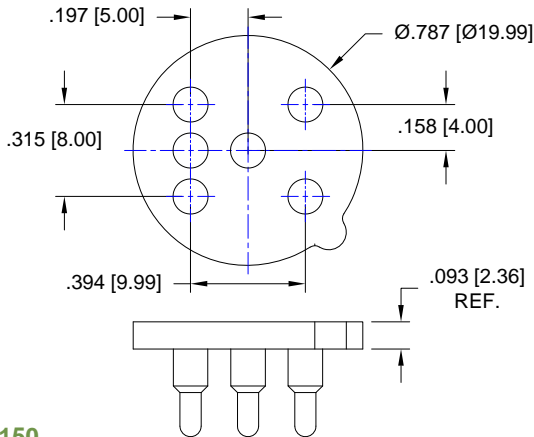


Fig. 150

Thru-Hole: R390-SP06-01T-**436P55**-R27-L14
Surface Mount: R390-SP06-01T-**440P55**-R27-L14

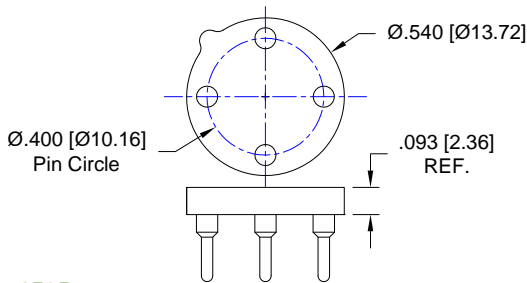


Fig. 159B

Thru-Hole: R400-0804-01T-**295V**-R27-L14
Surface Mount: R400-0804-01T-**439V**-R27-L14

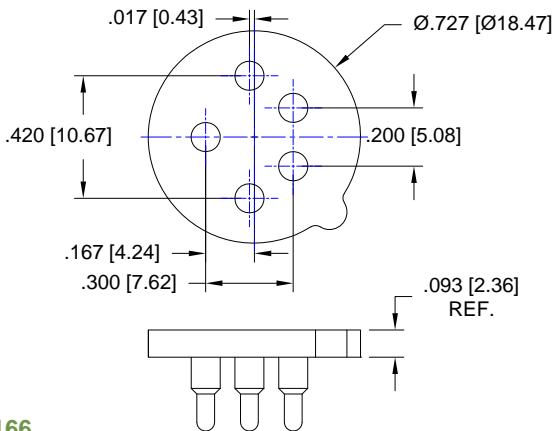
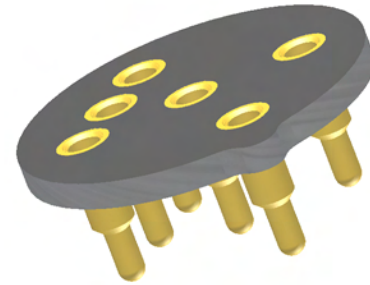


Fig. 166

Thru-Hole: R420-SP05-04T-**436P55**-R27-L14
Surface Mount: R420-SP05-04T-**440P55**-R27-L14



Thru-hole Shown
Surface mount available
For terminal styles, see page 29

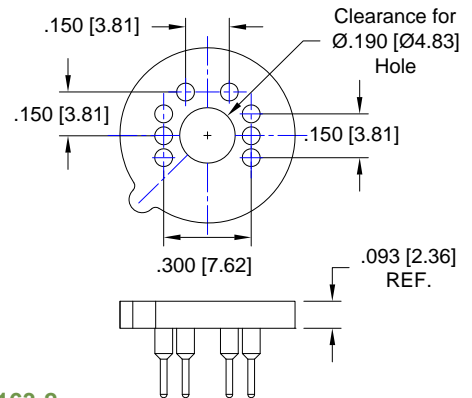


Fig. 163-2

Thru-Hole: R400-SP08-02T-**75S**-R27-L14
Surface Mount: R400-SP08-02T-**265S**-R27-L14

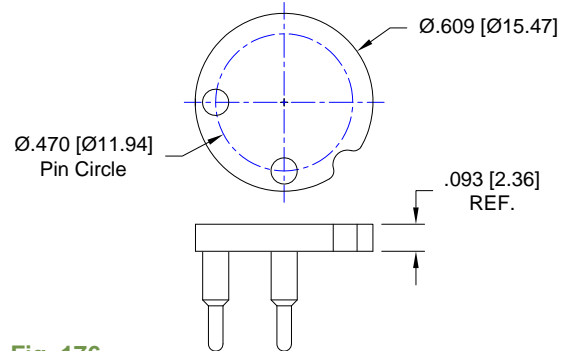


Fig. 176

Thru-Hole: R470-0402-01N-**433E**-R27-L14
Surface Mount: R470-0402-01N-**285E**-R27-L14

©Copyright 2012 Andon Electronics Corporation. All Rights Reserved. This material is protected under US and other copyrights and may not be copied, sold, or redistributed in any form without written permission of Andon Electronics Corporation. Copyrights and trademarks are property of their respective companies. We reserve the right to change specifications without notice.

Sockets are not drawn to scale 06/27/12 GS-12A

Gas Sensor Socket Footprints

[Back to Table of Contents](#)

****Sockets accept $\pm .003$ [.08] diameter Pin Circles**
Sockets may have a notch or tab for orientation purposes

Top View Shown
Units: in [mm]

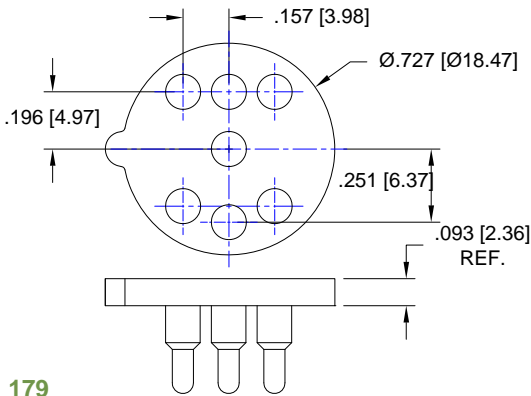
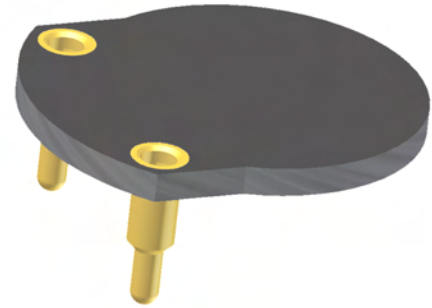


Fig. 179

Thru-Hole: R505-SP07-01T-436P55-R27-L14
Surface Mount: R505-SP07-01T-440P55-R27-L14



Thru-hole Shown
Surface mount available
For terminal styles, see page 29

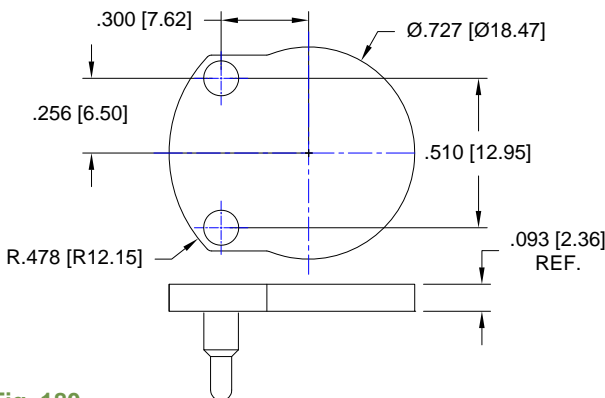


Fig. 180

Thru-Hole: R510-SP02-01-436P55-R27-L14
Surface Mount: R510-SP02-01-440P55-R27-L14

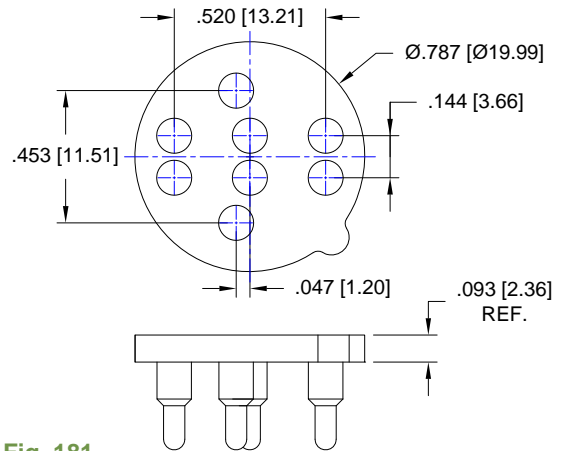


Fig. 181

Thru-Hole: R520-SP08-01T-436P55-R27-L14
Surface Mount: R520-SP08-01T-440P55-R27-L14

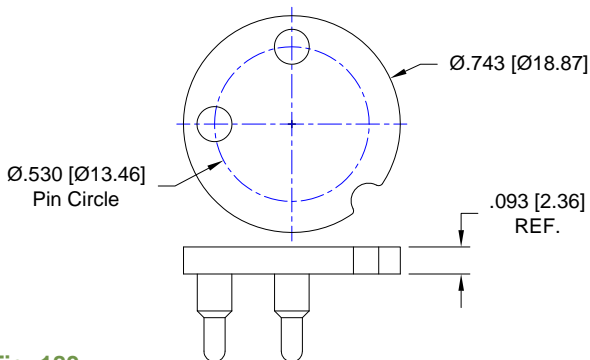


Fig. 183

Thru-Hole: R530-0402-02N-436P55-R27-L14
Surface Mount: R530-0402-02N-440P55-R27-L14

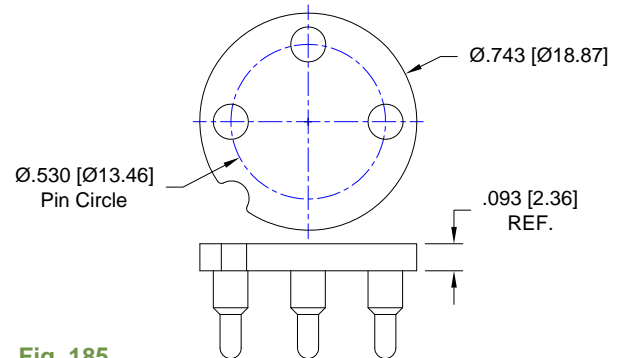


Fig. 185

Thru-Hole: R530-0403-02N-436P55-R27-L14
Surface Mount: R530-0403-02N-440P55-R27-L14

©Copyright 2012 Andon Electronics Corporation. All Rights Reserved. This material is protected under US and other copyrights and may not be copied, sold, or redistributed in any form without written permission of Andon Electronics Corporation. Copyrights and trademarks are property of their respective companies. We reserve the right to change specifications without notice.

Sockets are not drawn to scale 06/27/12 GS-12A

Gas Sensor Socket Footprints

[Back to Table of Contents](#)

**Sockets accept $\pm .003$ [.08] diameter Pin Circles
Sockets may have a notch or tab for orientation purposes

Top View Shown
Units: in [mm]

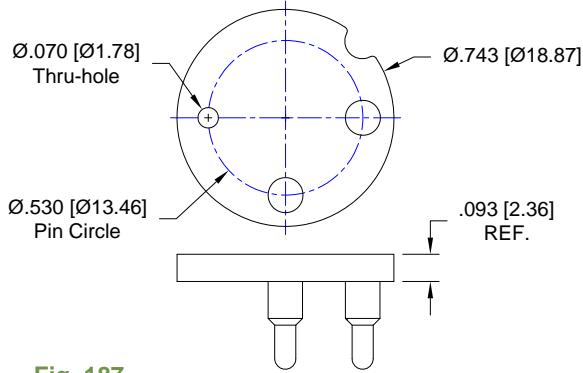


Fig. 187

Thru-Hole: R530-SP02-02N-436P55-R27-L14
Surface Mount: R530-SP02-02N-440P55-R27-L14

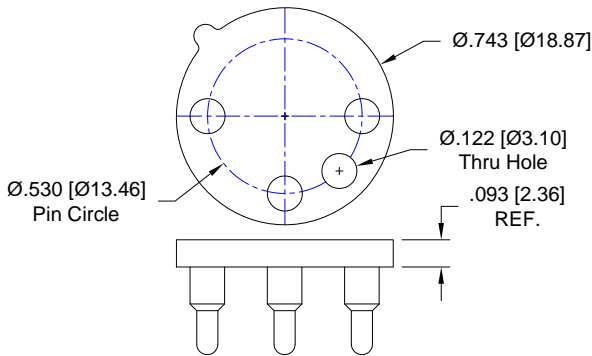


Fig. 188

Thru-Hole: R530-SP03-01T-436P55-R27-L14
Surface Mount: R530-SP03-01T-440P55-R27-L14

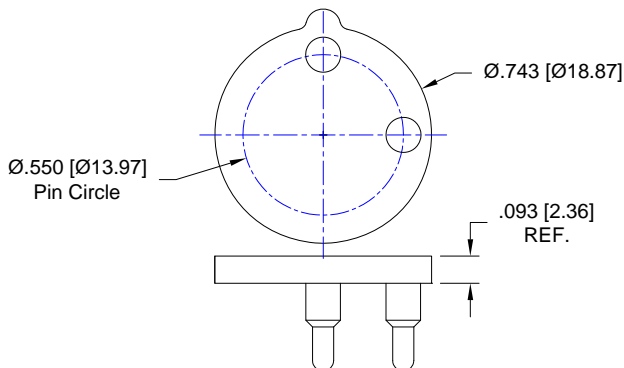
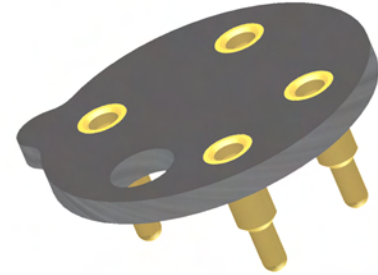


Fig. 190

Thru-Hole: R550-0802-02T-436P55-R27-L14
Surface Mount: R550-0802-02T-440P55-R27-L14



Thru-hole Shown
Surface mount available
For terminal styles, see page 29

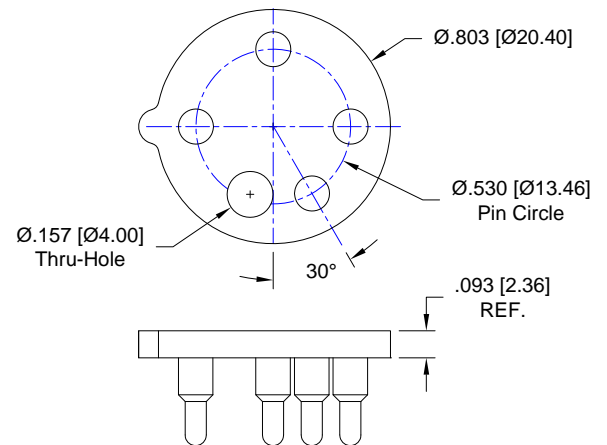


Fig. 189

Thru-Hole: R530-SP04-01T-436P55-R27-L14
Surface Mount: R530-SP04-01T-440P55-R27-L14

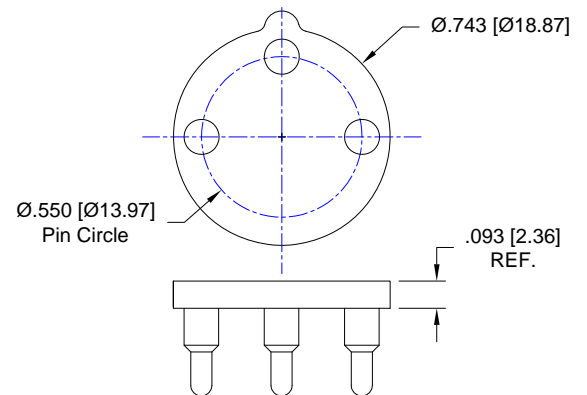


Fig. 191

Thru-Hole: R550-0803-01T-436P55-R27-L14
Surface Mount: R550-0803-01T-440P55-R27-L14

©Copyright 2012 Andon Electronics Corporation. All Rights Reserved. This material is protected under US and other copyrights and may not be copied, sold, or redistributed in any form without written permission of Andon Electronics Corporation. Copyrights and trademarks are property of their respective companies. We reserve the right to change specifications without notice.

Sockets are not drawn to scale 06/27/12 GS-12A

Gas Sensor Socket Footprints

[Back to Table of Contents](#)

****Sockets accept $\pm .003$ [0.08] diameter Pin Circles**
Sockets may have a notch or tab for orientation purposes

Top View Shown
Units: in [mm]

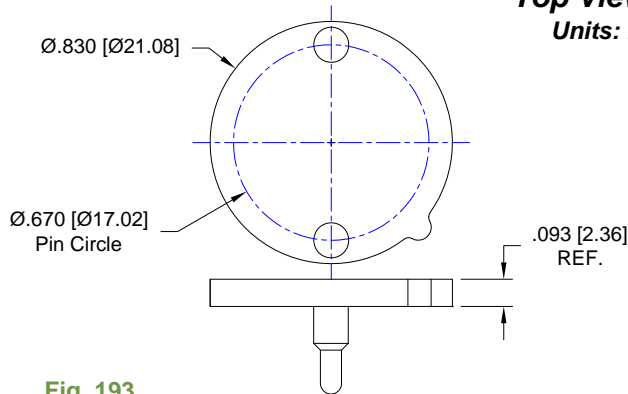
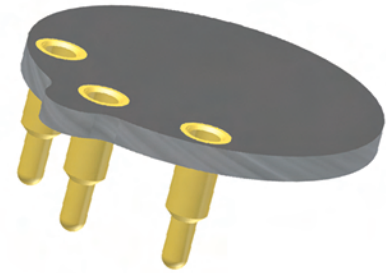


Fig. 193

Thru-Hole: R670-0802-01T-436P55-R27-L14
Surface Mount: R670-0802-01T-440P55-R27-L14



Thru-hole Shown
Surface mount available
For terminal styles, see page 29

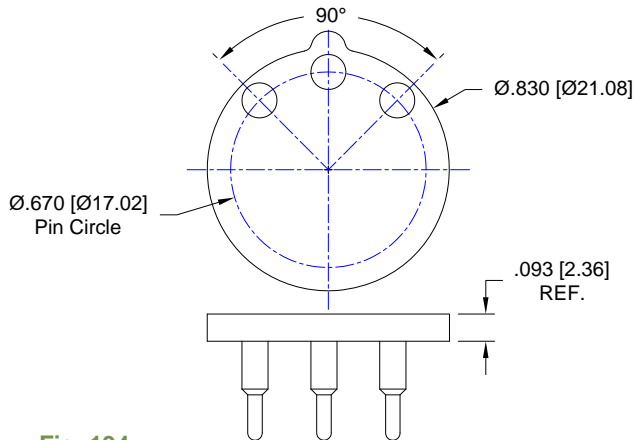


Fig. 194

Thru-Hole: R670-0803-01T-436P55-R27-L14
Surface Mount: R670-0803-011-440P55-R27-L14

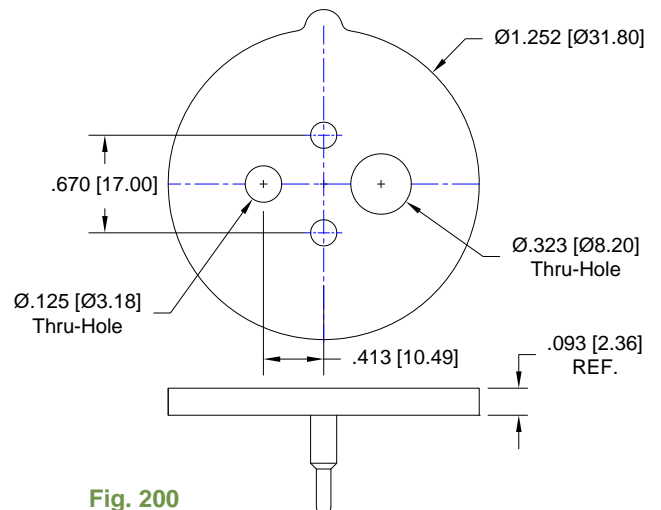


Fig. 200

Thru-Hole: R670-SP02-03T-433E-R27-L14
Surface Mount: R670-SP02-03T-285E-R27-L14

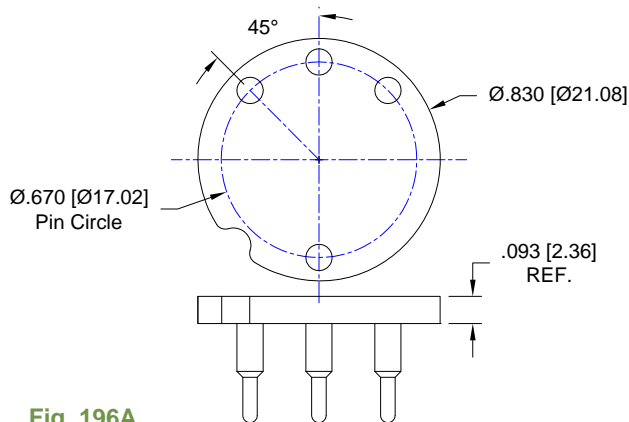


Fig. 196A

Thru-Hole: R670-0804-02N-433E-R27-L14
Surface Mount: R670-0804-02N-285E-R27-L14

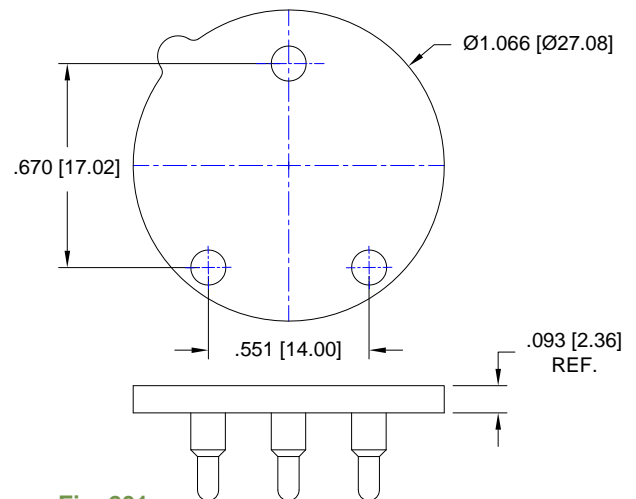


Fig. 201

Thru-Hole: R670-SP03-01T-436P55-R27-L14
Surface Mount: R670-SP03-01T-440P55-R27-L14

Sockets are not drawn to scale 06/27/12 GS-12A

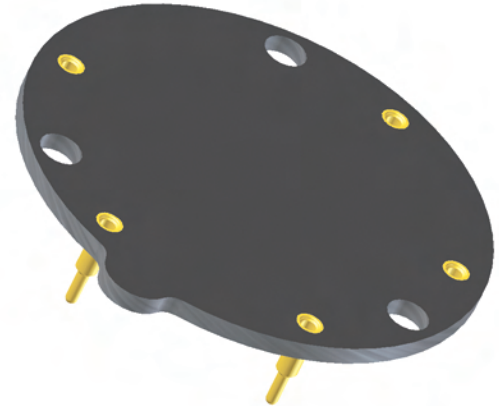
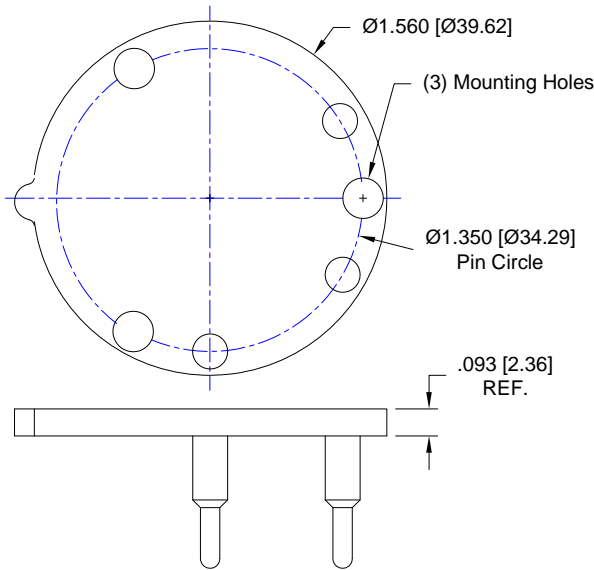
©Copyright 2012 Andon Electronics Corporation. All Rights Reserved. This material is protected under US and other copyrights and may not be copied, sold, or redistributed in any form without written permission of Andon Electronics Corporation. Copyrights and trademarks are property of their respective companies. We reserve the right to change specifications without notice.

Gas Sensor Socket Footprints

[Back to Table of Contents](#)

****Sockets accept $\pm .003$ [.08] diameter Pin Circles**
Sockets may have a notch or tab for orientation purposes

Top View Shown
Units: in [mm]



Thru-hole Shown
Surface mount available
For terminal styles, see page 29

Fig.225

Thru-Hole: R1350-SP03-01T-433E-R27-L14
Surface Mount: R1350-SP03-01T-285E-R27-L14

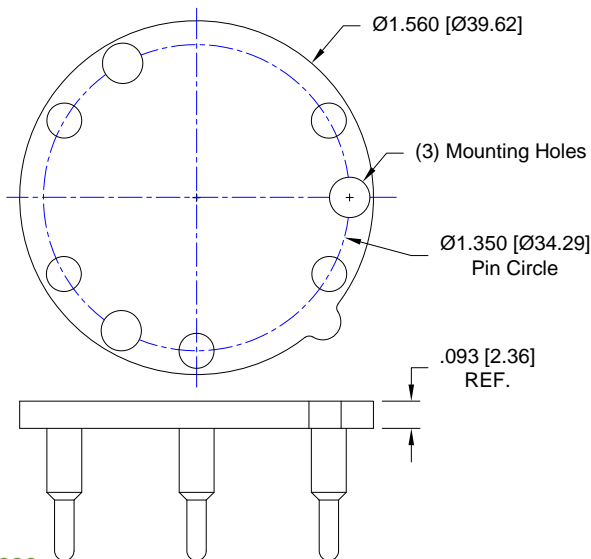


Fig. 226

Thru-Hole: R1350-SP05-02T-433E-R27-L14
Surface Mount: R1350-SP05-02T-285E-R27-L14

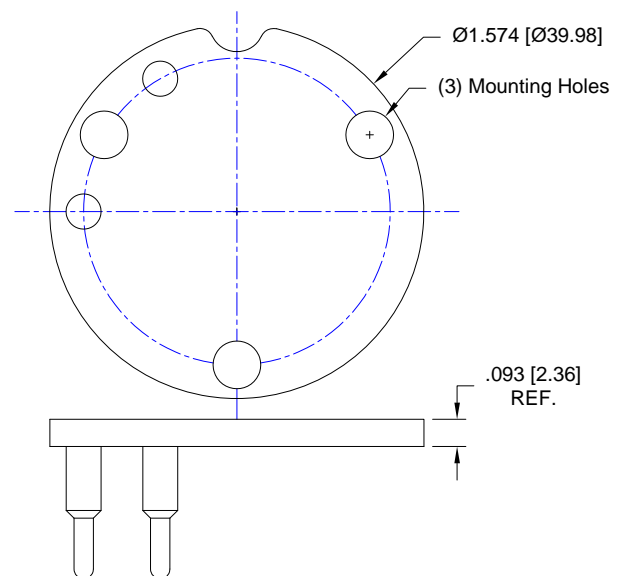


Fig. 227

Thru-Hole: R1355-SP02-02N-433E-R27-L14
Surface Mount: R1355-SP02-02N-285E-R27-L14

©Copyright 2012 Andon Electronics Corporation. All Rights Reserved. This material is protected under US and other copyrights and may not be copied, sold, or redistributed in any form without written permission of Andon Electronics Corporation. Copyrights and trademarks are property of their respective companies. We reserve the right to change specifications without notice.

Sockets are not drawn to scale 06/27/12 GS-12A

Gas Sensor Socket Footprints

[Back to Table of Contents](#)

**Sockets accept $\pm .003$ [$.08$] diameter Pin Circles

Top View Shown

Units: in [mm]

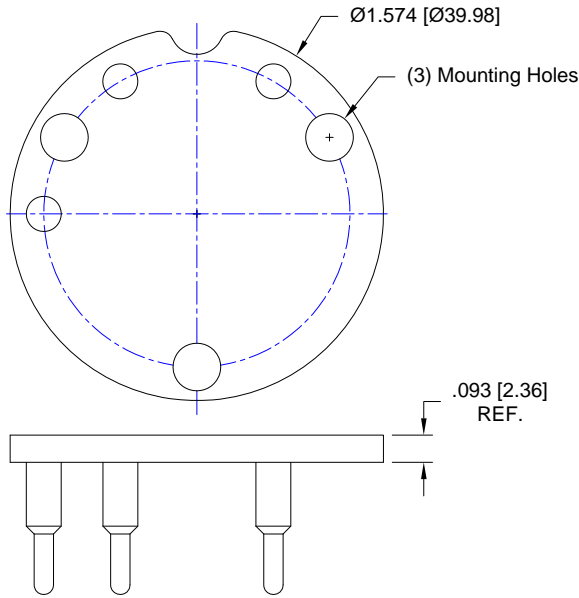


Fig. 228

Thru-Hole: R1355-SP03-01N-433E-R27-L14
Surface Mount: R1355-SP03-01N-285E-R27-L14

Thru-hole Shown
Surface mount available
For terminal styles, see page 29

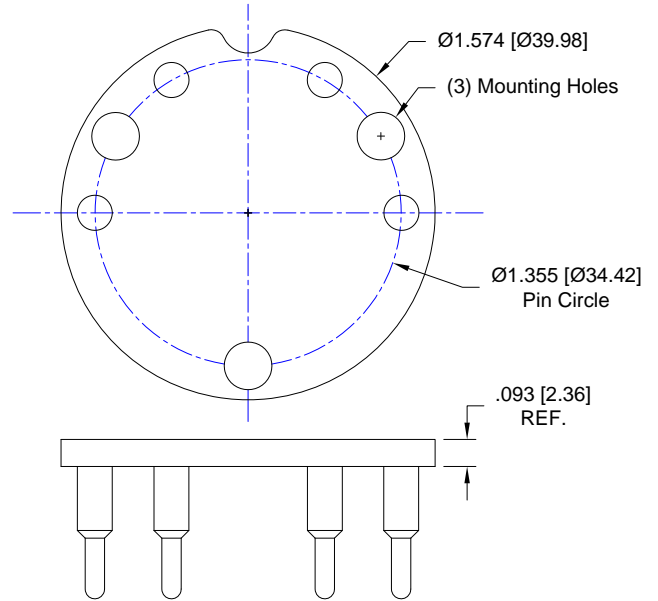


Fig. 229

Thru-Hole: R1355-SP04-03N-433E-R27-L14
Surface Mount: R1355-SP04-03N-285E-R27-L14

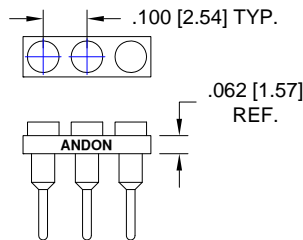


Fig. S03

Thru-Hole: (2) 405-03-01S-R27-L14
Surface Mount: (2) 405-03-93S-R27-L14

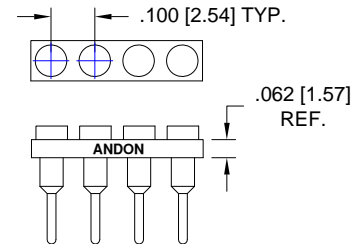


Fig. S04

Thru-Hole: (2) 405-04-01S-R27-L14
Surface Mount: (2) 405-04-93S-R27-L14

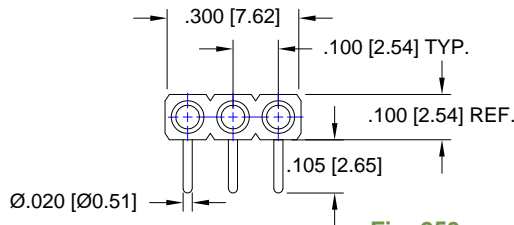
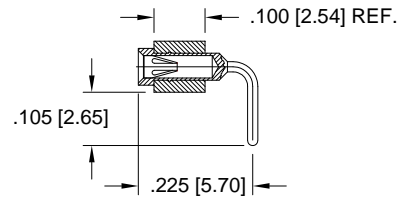


Fig. 253

Thru-Hole: 301-003-299S-R27-B10



Gas Sensor Adapter Socket Footprints

[Back to Table of Contents](#)

****Sockets accept $\pm .003$ [.08] diameter Pin Circles**
Sockets may have a notch or tab for orientation purposes

Top View Shown

Units: in [mm]

Thru-hole Shown
Surface mount available
For terminal styles, see page 29

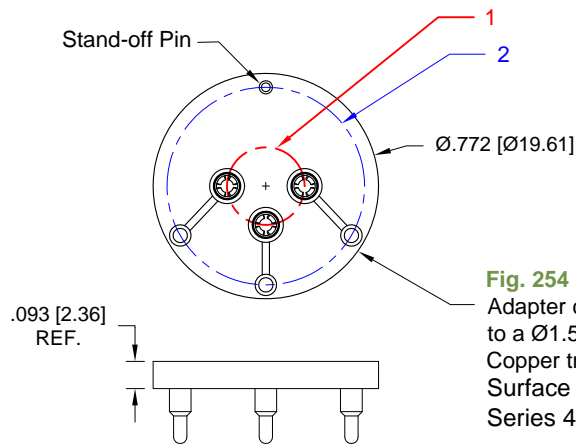


Fig. 254

Adapter converts a $\text{Ø} .530$ [Ø13.46] $\pm .003$ [.076] ① Pin Circle Device to a $\text{Ø} 1.545$ [Ø39.24] $\pm .003$ [.076] ② Pin Circle Device using Gold plated Copper traces.
Surface Mount: RA530-0403-01-440P55-R27-L14
Series 4 to Series 3 Adapter

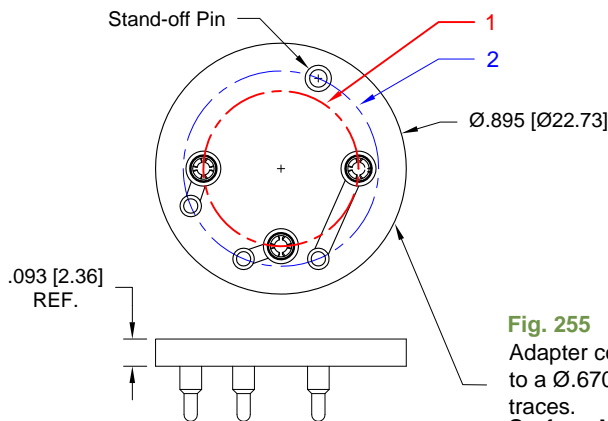
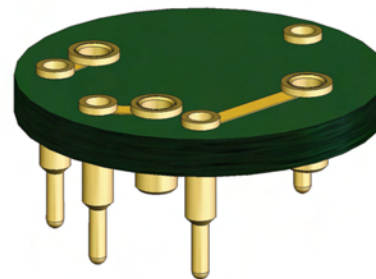


Fig. 255

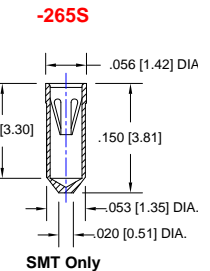
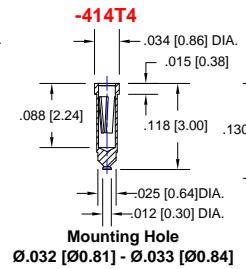
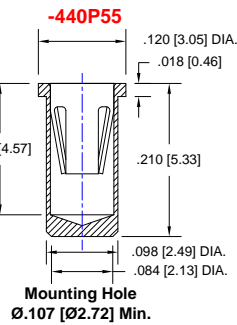
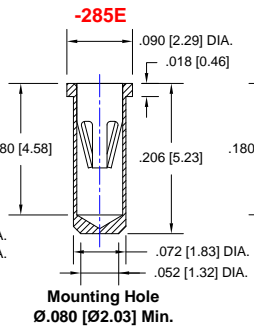
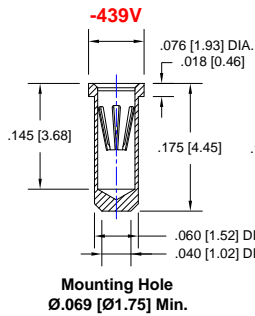
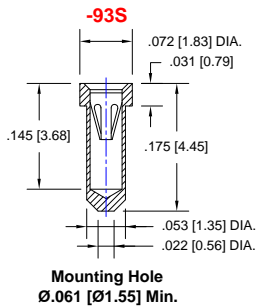
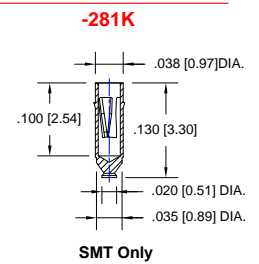
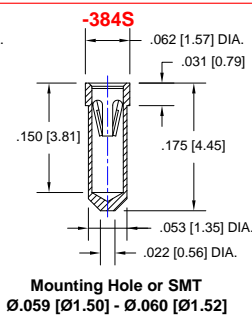
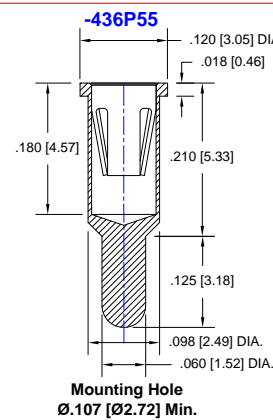
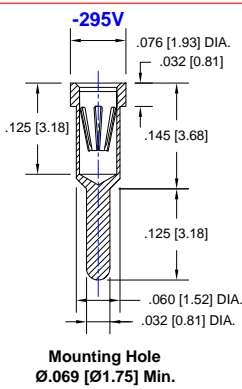
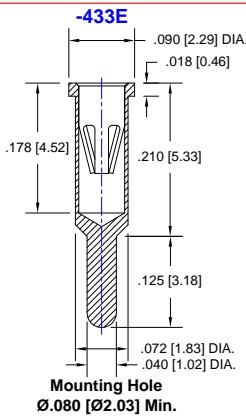
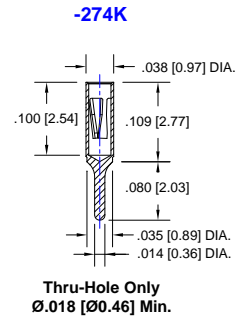
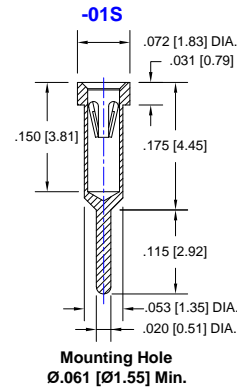
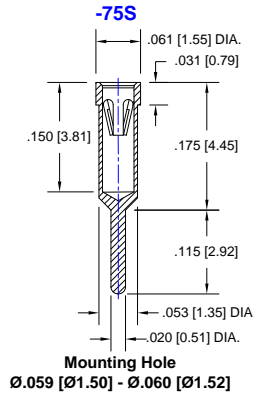
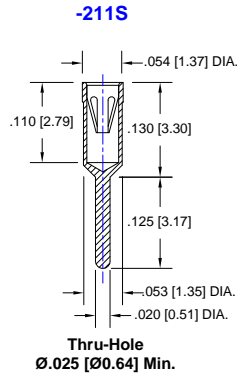
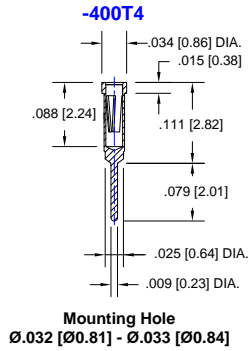
Adapter converts a $\text{Ø} .530$ [Ø13.46] $\pm .003$ [.076] ① Pin Circle Device to a $\text{Ø} .670$ [Ø17.01] $\pm .003$ [.076] ② Pin Circle Device using Gold plated Copper traces.
Surface Mount: RA530-0403-02-440P55-R27-L14
Series 4 to Series 7 Adapter



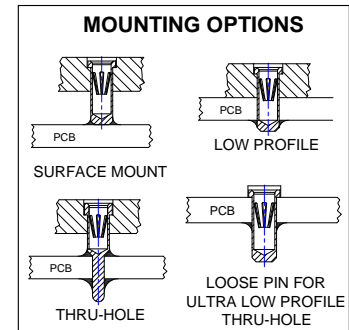
Socket Terminal Details

Cross Section View Shown Units: in [mm]

[Back to Table of Contents](#)



Terminal Acceptance and Forces							
Thru-Hole Socket Terminals				Surface Mount Socket Terminals			
Thru Hole Terminal	Accepts Pin Diameter	Insertion Force	Withdrawal Force	Surface Mount Terminal	Accepts Pin Diameter	Insertion Force	Withdrawal Force
-400T4	Ø.012 [Ø0.30]	1.1 oz Max	0.3 oz Min	-414T4	Ø.012 [Ø0.30]	1.1 oz Max	0.3 oz Min
-274K	Ø.018 [Ø0.46]	1.0 oz Max	0.5 oz Min	-281K	Ø.018 [Ø0.46]	1.0 oz Max	0.5 oz Min
-211S	Ø.018 [Ø0.46]	9.0 oz Avg.	2.0 oz Min	-384S	Ø.018 [Ø0.46]	9.0 oz Avg.	2.0 oz Min
-75S	Ø.018 [Ø0.46]	9.0 oz Avg.	2.0 oz Min	-265S	Ø.018 [Ø0.46]	9.0 oz Avg.	2.0 oz Min
-01S	Ø.018 [Ø0.46]	9.0 oz Avg.	2.0 oz Min	-93S	Ø.018 [Ø0.46]	9.0 oz Avg.	2.0 oz Min
-295V	Ø.030 [Ø0.76]	13.2 oz Max	3.5 oz Min	-439V	Ø.030 [Ø0.76]	13.2 oz Max	3.5 oz Min
-433E	Ø.040 [Ø1.02]	36.0 oz Max	3.9 oz Min	-285E	Ø.040 [Ø1.02]	36.0 oz Max	3.9 oz Min
-436P55	Ø.060 [Ø1.52]	15.5 oz Max	2.1 oz Min	-440P55	Ø.060 [Ø1.52]	15.5 oz Max	2.1 oz Min



OTHER SOCKETS AND TERMINALS AVAILABLE

©Copyright 2012 Andon Electronics Corporation. All Rights Reserved. This material is protected under US and other copyrights and may not be copied, sold, or redistributed in any form without written permission of Andon Electronics Corporation. Copyrights and trademarks are property of their respective companies. We reserve the right to change specifications without notice.

PLATING: RoHS COMPLIANT
G10 CONTACT: GOLD
R27 TERMINAL: GOLD / CONTACT: GOLD
R17 TERMINAL: TIN / CONTACT: GOLD
OTHER PLATINGS AVAILABLE

Sockets are not drawn to scale 06/27/12 GS-12A

Andon Part Number Index

[Back to Table of Contents](#)

Andon Part Number	Terminal Type		Pin Ø [in]	Pin QTY	Page Number	Figure Number
	Thru-Hole	Surface Mount				
(2) 405-03-XXX-R27-L14	01S	93S	.018	3	27	S03
(2) 405-04-XXX-R27-L14	01S	93S	.018	4	27	S04
301-003-XXX-R27-B10	299S	N/A	.018	3	27	253
R075-0402-01T-XXX-R27-L14	274K	281K	.018	2	17	08B
R100-0404-01T-XXX-R27-L14	75S	384S	.018	4	17	27CT
R100-0404-02T-XXX-R27-L14	400T4	414T4	.012	4	17	28AT
R118-0402-01T-XXX-R27-L14	75S	265S	.018	2	17	37
R140-0402-01T-XXX-R27-L14	01S	93S	.018	2	17	40
R140-0404-02T-XXX-R27-L14	01S	93S	.018	4	17	43
R158-0402-01T-XXX-R27-L14	433E	285E	.040	2	18	44
R167-0403-01T-XXX-R27-L14	01S	93S	.018	3	18	46
R173-0802-01T-XXX-R27-L14	01S	93S	.018	2	18	48
R196-SP04-01T-XXX-R27-L14	295V	439V	.030	4	18	49
R200-0402-01T-XXX-R27-L14	01S	93S	.018	2	18	52
R200-0403-04T-XXX-R27-L14	01S	93S	.018	3	18	59
R200-0404-01T-XXX-R27-L14	01S	93S	.018	4	18	62B
R200-0806-01T-XXX-R27-L14	211S	384S	.018	6	19	66
R200-0808-01T-XXX-R27-L14	75S	265S	.018	8	19	72
R200-1008-03T-XXX-R27-L14	274K	281K	.018	8	19	74
R200-SP03-01T-XXX-R27-L14	295V	439V	.030	3	19	79
R200-SP03-03T-XXX-R27-L14	295V	439V	.030	3	19	80B
R230-0404-01T-XXX-R27-L14	01S	93S	.018	4	19	95
R230-0404-02T-XXX-R27-L14	295V	439V	.030	4	20	96
R275-0402-01T-XXX-R27-L14	295V	439V	.030	2	20	110
R275-SP04-01T-XXX-R27-L14	295V	439V	.030	4	20	111
R278-0804-01T-XXX-R27-L14	295V	439V	.030	4	20	112
R280-0808-01T-XXX-R27-L14	01S	93S	.018	8	20	115
R300-SP03-02T-XXX-R27-L14	436P55	440P55	.060	3	21	126
R300-SP04-01T-XXX-R27-L14	295V	439V	.030	4	21	127
R300-SP04-02T-XXX-R27-L14	295V	439V	.030	4	21	128B
R375-0805-01T-XXX-R27-L14	433E	285E	.040	5	21	139
R375-0806-01T-XXX-R27-L14	433E	285E	.040	6	21	141
R390-SP06-01T-XXX-R27-L14	436P55	440P55	.060	6	22	150
R400-0804-01T-XXX-R27-L14	295V	439V	.030	4	22	159B
R400-SP08-02T-XXX-R27-L14	75S	265S	.018	8	22	163-2
R420-SP05-04T-XXX-R27-L14	436P55	440P55	.060	5	22	166
R470-0402-01N-XXX-R27-L14	433E	285E	.040	2	22	176
R505-SP07-01T-XXX-R27-L14	436P55	440P55	.060	7	23	179
R510-SP02-01-XXX-R27-L14	436P55	440P55	.060	2	23	180
R520-SP08-01T-XXX-R27-L14	436P55	440P55	.060	8	23	181
R530-0402-02N-XXX-R27-L14	436P55	440P55	.060	2	23	183
R530-0403-02N-XXX-R27-L14	436P55	440P55	.060	3	23	185
R530-SP02-02N-XXX-R27-L14	436P55	440P55	.060	2	24	187
R530-SP03-01T-XXX-R27-L14	436P55	440P55	.060	3	24	188
R530-SP04-01T-XXX-R27-L14	436P55	440P55	.060	4	24	189
R550-0802-02T-XXX-R27-L14	436P55	440P55	.060	2	24	190
R550-0803-01T-XXX-R27-L14	436P55	440P55	.060	3	24	191
R670-0802-01T-XXX-R27-L14	436P55	440P55	.060	2	25	193
R670-0803-01T-XXX-R27-L14	436P55	440P55	.060	3	25	194
R670-0804-02N-XXX-R27-L14	433E	285E	.040	4	25	196A
R670-SP02-03T-XXX-R27-L14	433E	285E	.040	2	25	200
R670-SP03-01T-XXX-R27-L14	436P55	440P55	.060	3	25	201
R1350-SP03-01T-XXX-R27-L14	433E	285E	.040	3	26	225
R1350-SP05-02T-XXX-R27-L14	433E	285E	.040	5	26	226
R1355-SP02-02N-XXX-R27-L14	433E	285E	.040	2	26	227
R1355-SP03-01N-XXX-R27-L14	433E	285E	.040	3	27	228
R1355-SP04-03N-XXX-R27-L14	433E	285E	.040	4	27	229
RA530-0403-01-XXX-R27-L14	N/A	440P55	.060	3	28	254
RA530-0403-02-XXX-R27-L14	N/A	440P55	.060	3	28	255

At Andon Electronics, we provide interconnection components that help companies to cost effectively protect, assemble, test and replace their semiconductor devices.



- PGA SOCKETS & ADAPTERS
- BGA SOCKETS & ADAPTERS
- SMD SOCKETS & ADAPTERS
- DIP SOCKETS & ADAPTERS
- SIP SOCKETS & ADAPTERS
- FUSE SOCKETS
- TERMINAL AND TEST JACKS
- LCC SOCKETS
- PLCC SOCKETS
- IMAGE SENSOR SOCKETS
- GAS SENSOR SOCKETS
- OPTOELECTRONIC SOCKETS
- CARRIER SOCKETS
- BATTERY SOCKETS
- TEST SOCKETS

We offer custom as well as our standard catalog items.

Our intention is to be your one stop for all of your interconnection requirements.

Please visit our website at www.andonelect.com

If you have any questions please do not hesitate to contact us.

Contact: Customer Service

Phone: (401) 333-0388

Fax: (401) 333-0287

Email: info@andonelect.com



B.C.E. s.r.l.

Via Regina Pacis, 54/c - 41049 SASSUOLO (MO) Italy
Tel. +39 0536 811.616 r.a. - Fax +39 0536 811.500
www.bce.it - E-mail: bce@bce.it

