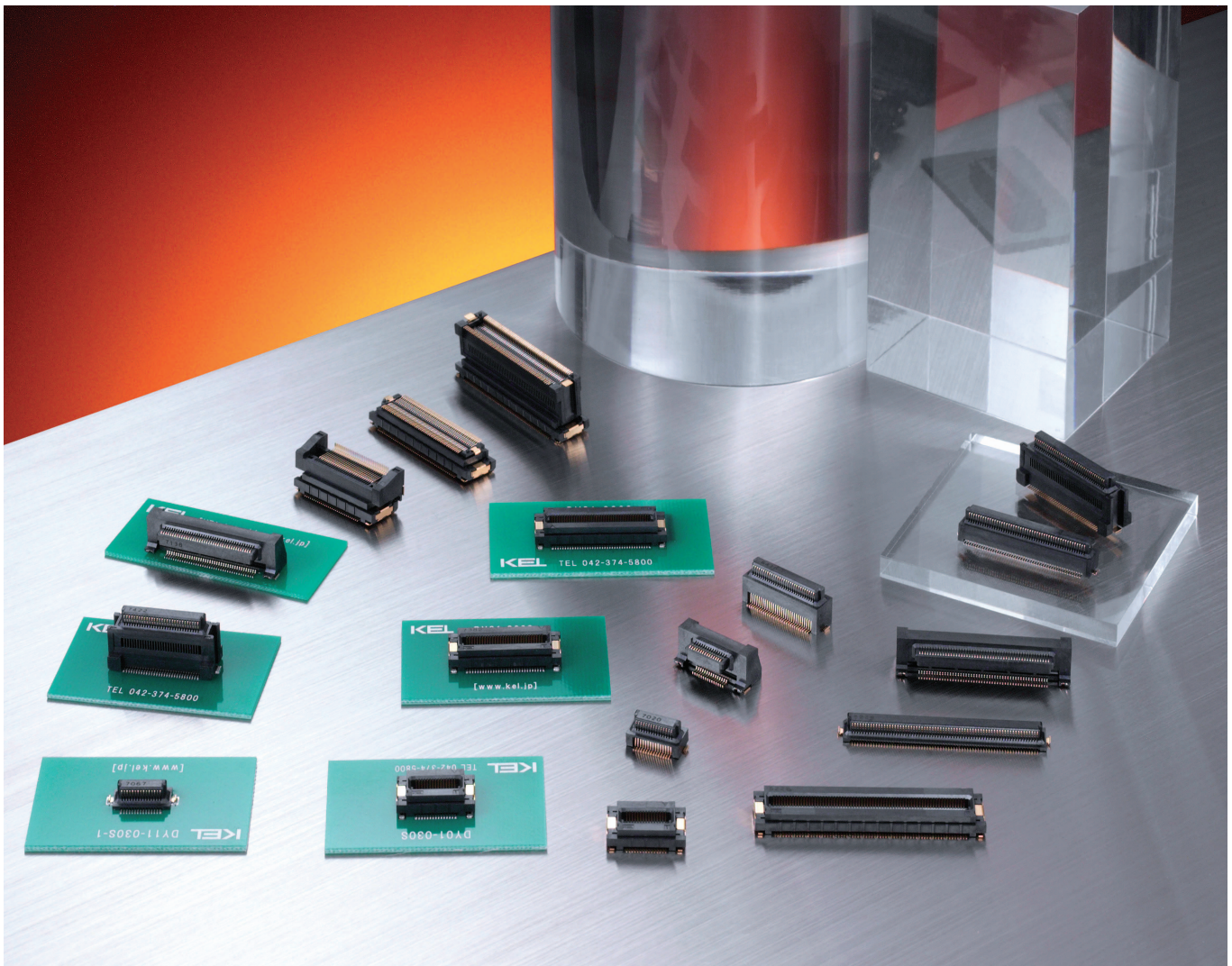


Floating Connector with 0.5mm Pitch $\pm 0.5\text{mm}$ Displacement in XY Direction

DY SERIES



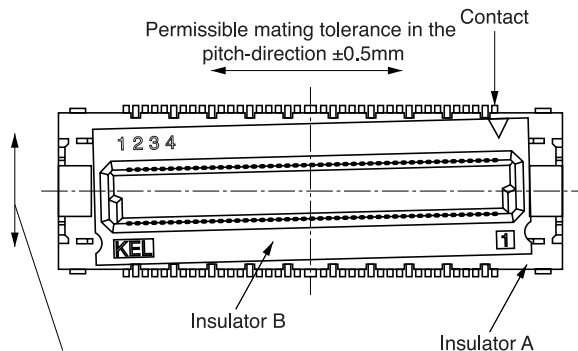
Distributed by:



FEATURES

- 0.5mm pitch floating connector
- Location error offsets $\pm 0.5\text{mm}$ in the XY direction
- High reliable design with effective contact displacement of 1.25mm
- Suction area for automated mounting provided
- Positioning posts are optional for manual mounting
- Nine size : 30, 40, 50, 60, 80, 90, 100, 120 and 140 pins
*Available pin count varies with the product type.
- Plug connector variations : Straight and Right angle
- 2 mating variations (stacked and vertical)
- Ten mating height : 5, 6, 7, 8, 9, 10, 11, 12, 13 and 14mm
*11mm : 140 pin type only
- Shape of retention clip forming the large fillet
- RoHS compliance

Floating Connector

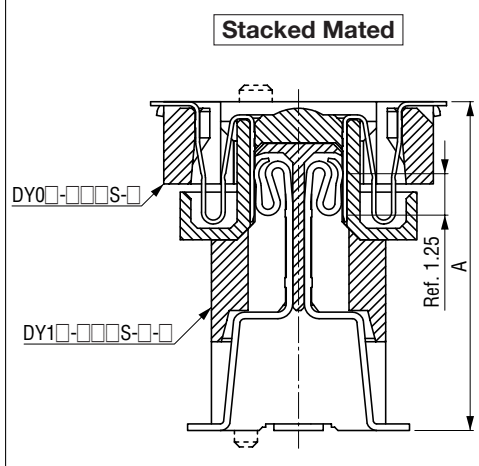


● When the connector is mounted on the printed circuit board, a location error in the two directions of horizontal and vertical (XY direction) may occur at both connectors. In addition, if each printed circuit board is fixed to a case by screws after mating connectors, the connectors may have to compensate for the location error because a gap occurs during screwing to the printed circuit board. A connector having a tolerance to compensate for such an error or gap caused by vibration is called a floating connector. The DY series is a 0.5mm fine pitch connector with $\pm 0.5\text{mm}$ floating mechanism and ensures sufficient compensation for location errors.

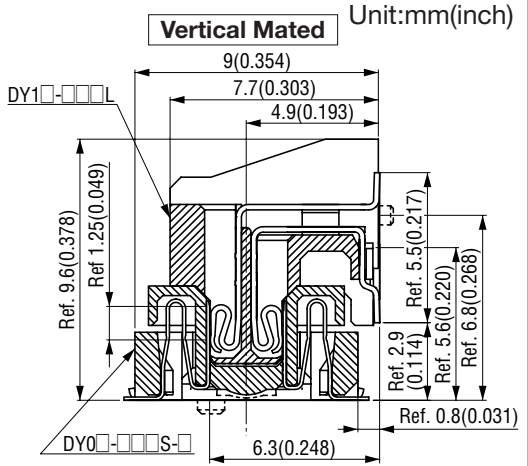
SPECIFICATIONS

- Insulator material : Glass-filled LCP (UL94V-0), Black
- Contact material : Copper alloy
- Contact plating : Gold over Nickel
- Retention clip material : Copper alloy
- Retention clip plating : Gold over Nickel
- Current rating : 0.4A per contact
0.3A per contact (DY1□-□□□L)
- Contact resistance : 80m Ω max.
100m Ω max. (DY1□-□□□L)
- Dielectric withstanding voltage : 200V AC for 1 minute
- Insulation resistance : 100M Ω min. at 250V DC
- Operating temperature : -40°C to $+85^{\circ}\text{C}$

Mating Combination



Part Number	A
DY1□-□□□S-1-□	5(0.197)
DY1□-□□□S-2	6(0.236)
DY1□-□□□S-3	7(0.276)
DY1□-□□□S-4	8(0.315)
DY1□-□□□S-5	9(0.354)
DY1□-□□□S-6	10(0.394)





● ORDER CODE

DY 0 - - - **S** -

- Connector type
00 : Receptacle, Without positioning posts
01 : Receptacle, With positioning posts
- Series name
DY : 0.5mm pitch floating connector
- Contact tail style
S : Straight, SMT
- Number of contacts
030 : 30 pin 090 : 90 pin
040 : 40 pin 100 : 100 pin
050 : 50 pin 120 : 120 pin
060 : 60 pin 140 : 140 pin
080 : 80 pin
- Number of packaging
Omit : 1000pcs. per reel
A : 500pcs. per reel

● ORDER CODE

DY 1 - - - **S** - -

- Connector type
10 : Plug, Without positioning posts
11 : Plug, With positioning posts
- Series name
DY : 0.5mm pitch floating connector
- Contact tail style
S : Straight, SMT
- Stacked height
1 : 5 mm 4 : 8 mm
2 : 6 mm 5 : 9 mm
3 : 7 mm 6 : 10 mm
- Number of contacts
030 : 30 pin 080 : 80 pin
040 : 40 pin 100 : 100 pin
050 : 50 pin 120 : 120 pin
060 : 60 pin 140 : 140 pin
- Number of packaging
Omit : 500pcs. per reel (Stacked height 6 to 10mm)
1,000pcs. per reel (Stacked height 5mm)
A : 500pcs. per reel (Stacked height 5mm)



*The product of 30 pin, 40 pin and 50 pin corresponds to the type of 5mm, 6mm and 7mm in the stack height.



● ORDER CODE

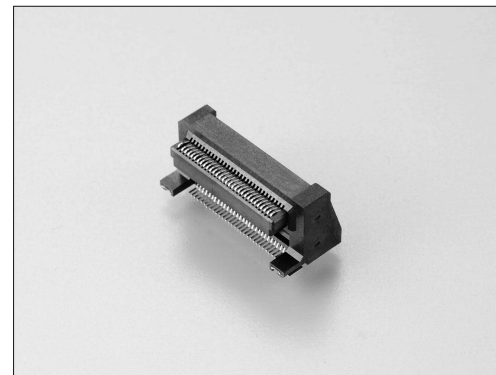
DY 1 - - - **FS** -

- Connector type
10 : Plug, Without positioning posts
11 : Plug, With positioning posts
- Series name
DY : 0.5mm pitch floating connector
- Contact tail style
FS : Flexible stacking straight, SMT
- Stacked height
1 : 11mm (140 pin only)
2 : 12 mm
3 : 13 mm
4 : 14 mm
- Number of contacts
060 : 60 pin 120 : 120 pin
080 : 80 pin 140 : 140 pin
100 : 100 pin

● ORDER CODE

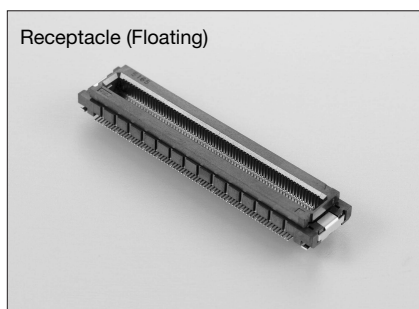
DY 1 - - - **L**

- Connector type
10 : Plug, Without positioning posts
11 : Plug, With positioning posts
- Series name
DY : 0.5mm pitch floating connector
- Contact tail style
L : Right angle, SMT
- Number of contacts
030 : 30 pin 080 : 80 pin
040 : 40 pin 090 : 90 pin
050 : 50 pin 100 : 100 pin
060 : 60 pin

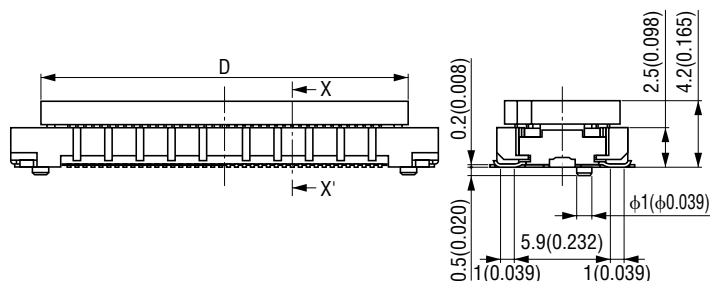
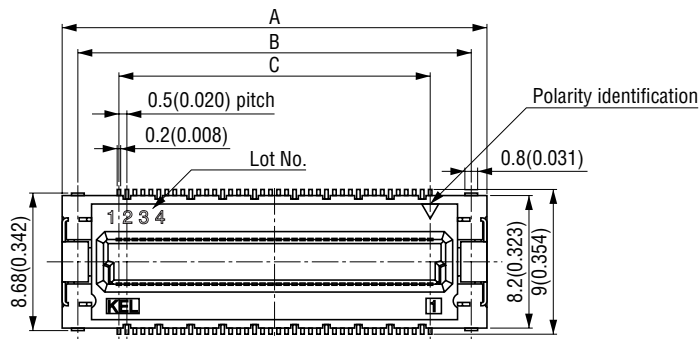
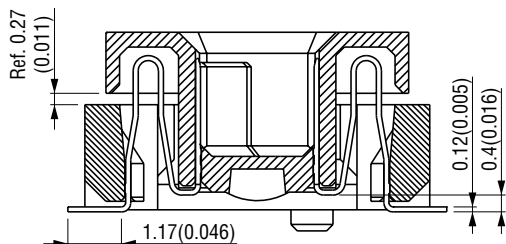


DY0□-□□□S-□ (Receptacle)

Unit:mm(inch)

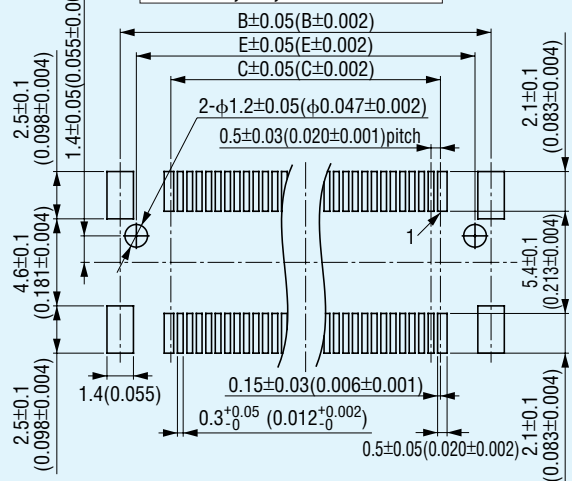


X-X' Cross Section

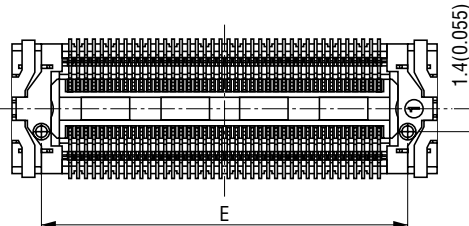
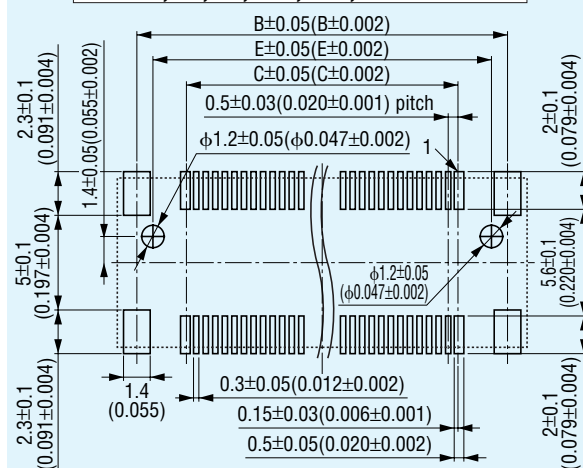


Printed Circuit Board Layout (Component Side View)

For 30, 40, 50 contacts



For 60, 80, 90, 100, 120, 140 contacts



Packaging style
Embossed tape

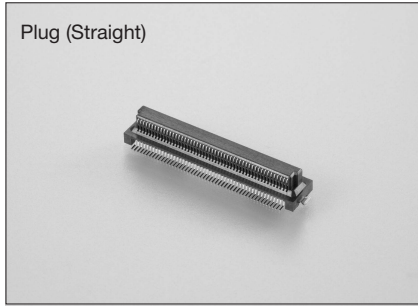
Part Number	Number of packaging
DY0□-□□□S	1,000
DY0□-□□□S-A	500

Product Table / Dimensions

No. of contacts	Part Number	A	B	C	D	E
30	DY0□-030S-□	14.2 (0.559)	12.2 (0.480)	7.0 (0.276)	10.5 (0.413)	10.5 (0.413)
40	DY0□-040S-□	16.7 (0.657)	14.7 (0.579)	9.5 (0.374)	13.0 (0.512)	13.0 (0.512)
50	DY0□-050S-□	19.2 (0.756)	17.2 (0.677)	12.0 (0.472)	15.5 (0.610)	15.5 (0.610)
60	DY0□-060S-□	21.7 (0.854)	19.7 (0.776)	14.5 (0.571)	18.0 (0.709)	18.0 (0.709)
80	DY0□-080S-□	26.7 (1.051)	24.7 (0.972)	19.5 (0.768)	23.0 (0.906)	23.0 (0.906)
90	DY0□-090S-□	29.2 (1.150)	27.2 (1.071)	22.0 (0.866)	25.5 (1.004)	25.5 (1.004)
100	DY0□-100S-□	31.7 (1.248)	29.7 (1.169)	24.5 (0.965)	28.0 (1.102)	28.0 (1.102)
120	DY0□-120S-□	36.7 (1.445)	34.7 (1.366)	29.5 (1.161)	33.0 (1.299)	33.0 (1.299)
140	DY0□-140S-□	41.7 (1.642)	39.7 (1.563)	34.5 (1.358)	38.0 (1.496)	38.0 (1.496)

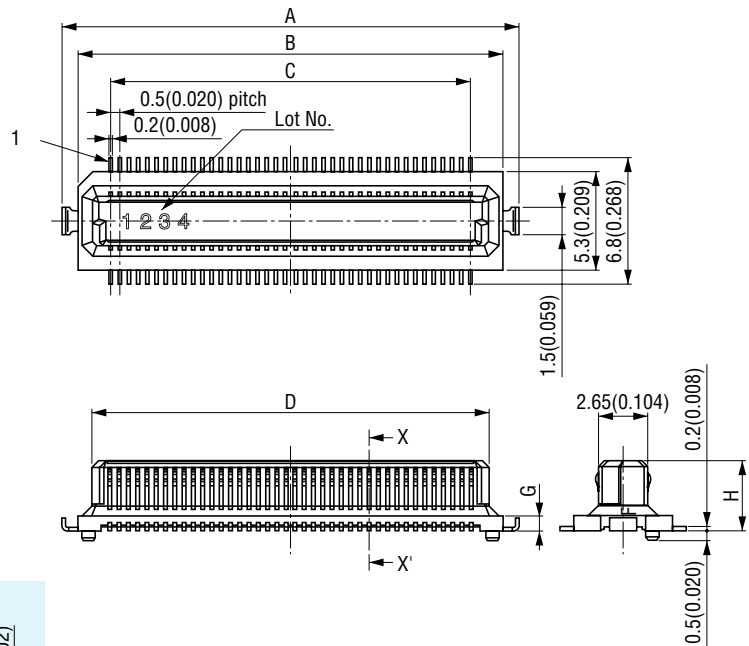
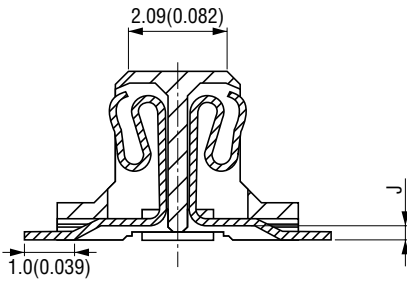
DY1 □-□□□S-□-□ (Plug, For 5, 6 and 7mm stacked height)

Plug (Straight)

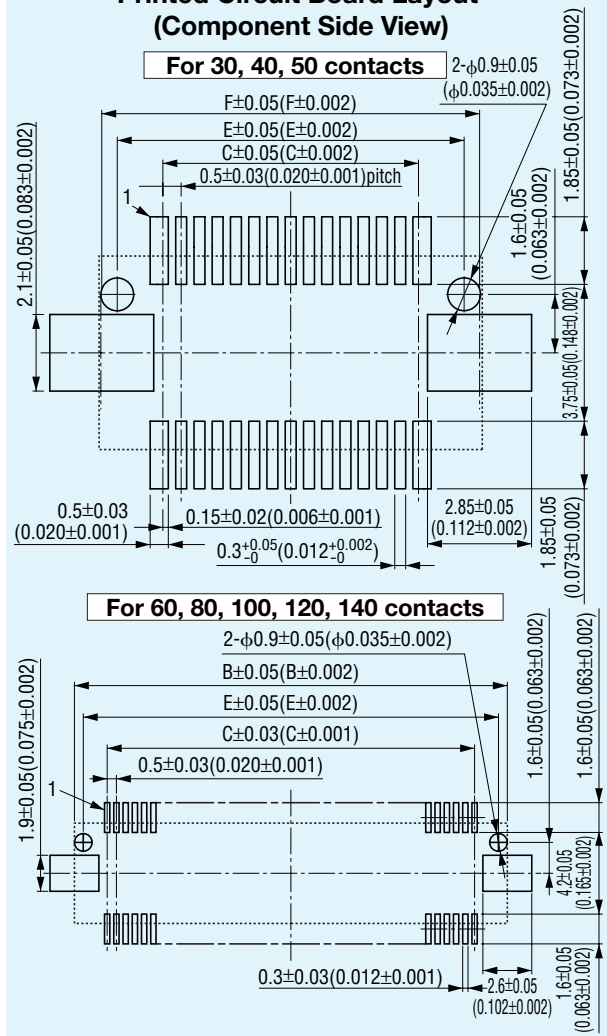


Unit:mm(inch)

X-X' Cross Section



Printed Circuit Board Layout
(Component Side View)



Stack height

Part Number	Stack height	G	H	J	Number of packaging
DY1□-□□□S-1	5.0 (0.197)	0.8 (0.031)	3.73 (0.147)	0.3 (0.012)	1,000
DY1□-□□□S-1-A	5.0 (0.197)	0.8 (0.031)	3.73 (0.147)	0.3 (0.012)	500
DY1□-□□□S-2	6.0 (0.236)	1.8 (0.071)	4.73 (0.186)	1.3 (0.051)	500
DY1□-□□□S-3	7.0 (0.276)	2.8 (0.110)	5.73 (0.226)	2.3 (0.091)	500

Product Table / Dimensions

No. of contacts	Part Number	A	B	C	D	E	F
30	DY1□-030S-□-□	12.2 (0.480)	10.5 (0.413)	7.0 (0.276)	8.9 (0.350)	9.5 (0.374)	10.35 (0.407)
40	DY1□-040S-□-□	14.7 (0.579)	13.0 (0.512)	9.5 (0.374)	11.4 (0.449)	12.0 (0.472)	12.85 (0.506)
50	DY1□-050S-□-□	17.2 (0.677)	15.5 (0.610)	12.0 (0.472)	13.9 (0.547)	14.5 (0.571)	15.35 (0.610)
60	DY1□-060S-□-□	19.7 (0.776)	18.0 (0.709)	14.5 (0.571)	16.4 (0.646)	17.0 (0.669)	-
80	DY1□-080S-□-□	24.7 (0.972)	23.0 (0.906)	19.5 (0.768)	21.4 (0.843)	22.0 (0.866)	-
100	DY1□-100S-□-□	29.7 (1.169)	28.0 (1.102)	24.5 (0.965)	26.4 (1.039)	27.0 (1.063)	-
120	DY1□-120S-□-□	34.7 (1.366)	33.0 (1.299)	29.5 (1.161)	31.4 (1.236)	32.0 (1.260)	-
140	DY1□-140S-□-□	39.7 (1.563)	38.0 (1.496)	34.5 (1.358)	36.4 (1.433)	37.0 (1.457)	-

Packaging style
Embossed tape

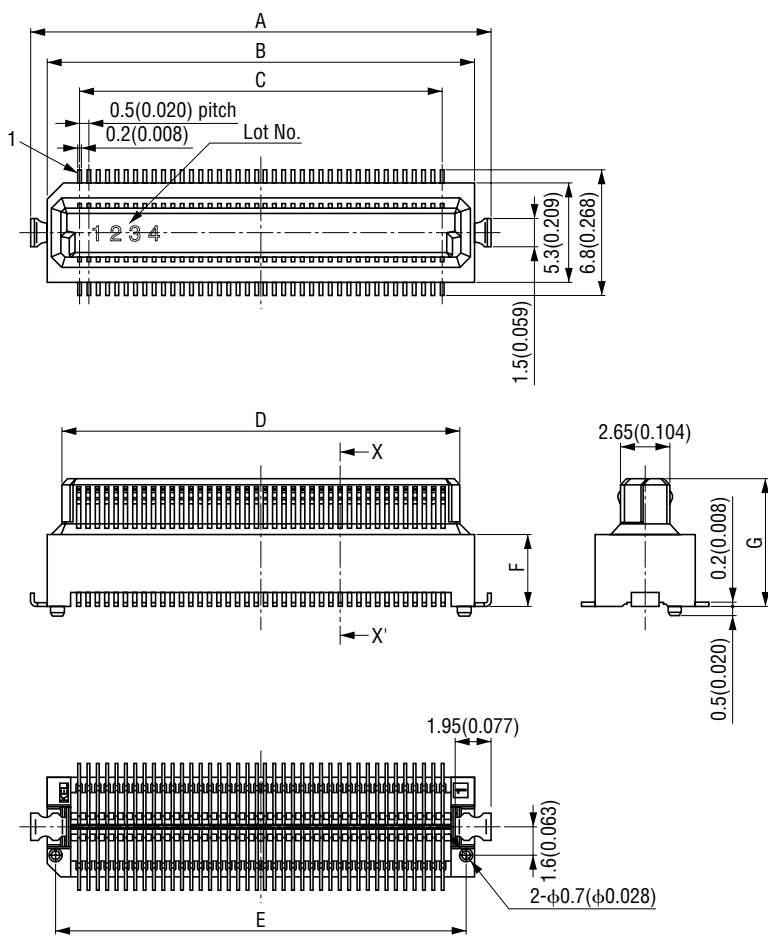
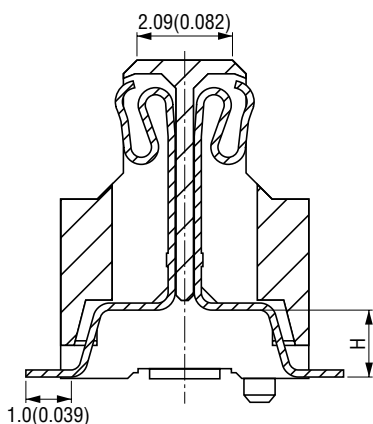
DY1□-□□□S-□ (Plug, For 8, 9 and 10mm stacked height)

Plug (Straight)

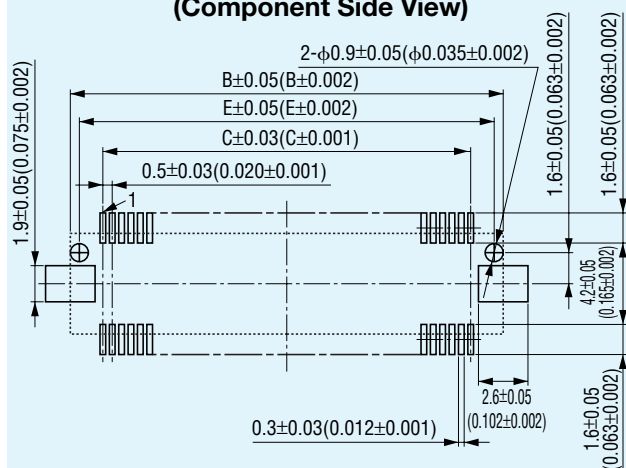


Unit:mm(inch)

X-X' Cross Section



Printed Circuit Board Layout
(Component Side View)



Packaging style
Embossed tape

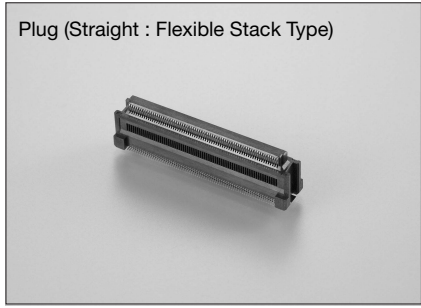
Stack height

Part Number	Stack height	F	G	H	Number of packaging
DY1□-□□□S-4	8 (0.315)	3.8 (0.150)	6.73 (0.265)	1.4 (0.055)	500
DY1□-□□□S-5	9 (0.354)	4.8 (0.189)	7.73 (0.304)	2.4 (0.094)	500
DY1□-□□□S-6	10 (0.394)	5.8 (0.228)	8.73 (0.344)	3.4 (0.134)	500

Product Table / Dimensions

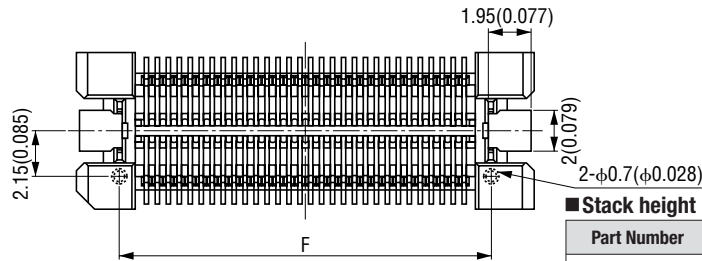
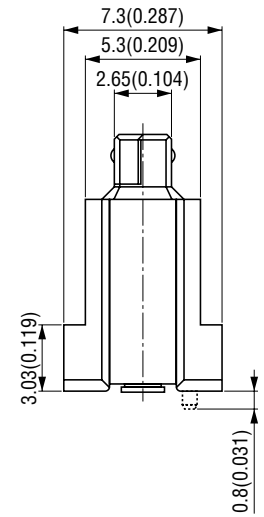
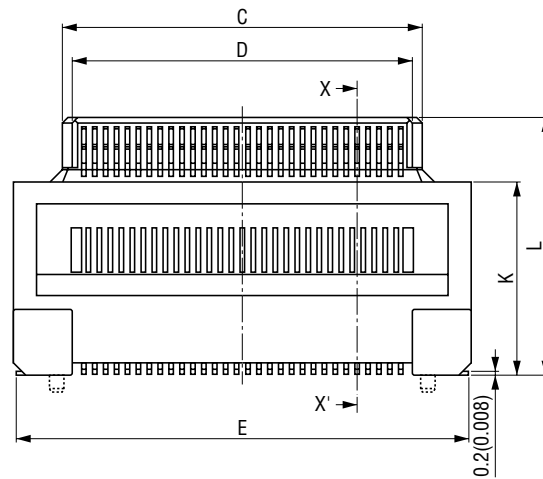
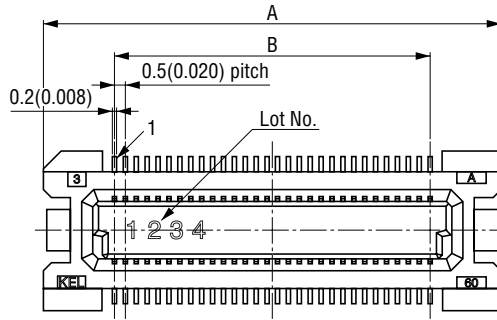
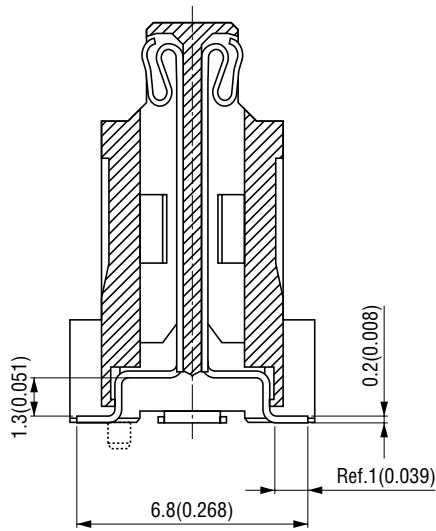
No. of contacts	Part Number	A	B	C	D	E
60	DY1□-060S-□	19.7 (0.776)	18.0 (0.709)	14.5 (0.571)	16.4 (0.646)	17.0 (0.669)
80	DY1□-080S-□	24.7 (0.972)	23.0 (0.906)	19.5 (0.768)	21.4 (0.843)	22.0 (0.866)
100	DY1□-100S-□	29.7 (1.169)	28.0 (1.102)	24.5 (0.965)	26.4 (1.039)	27.0 (1.063)
120	DY1□-120S-□	34.7 (1.366)	33.0 (1.299)	29.5 (1.161)	31.4 (1.236)	32.0 (1.260)
140	DY1□-140S-□	39.7 (1.563)	38.0 (1.496)	34.5 (1.358)	36.4 (1.433)	37.0 (1.457)

DY1□-□□□FS-□ (Plug, For 11, 12, 13 and 14mm flexible stacked height)



Unit:mm(inch)

X-X' Cross Section



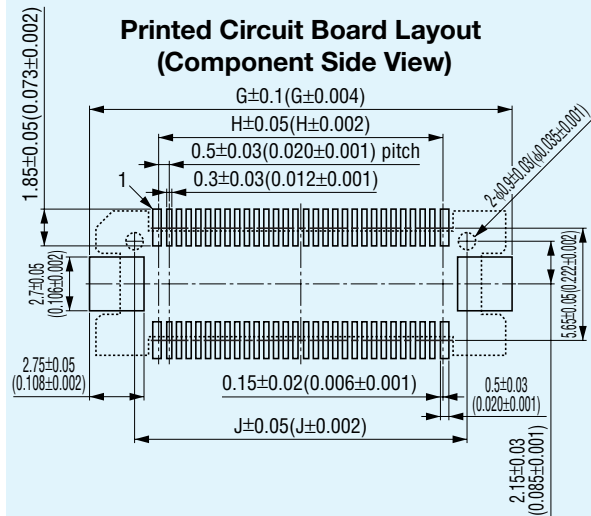
Stack height

Part Number	Stack height	K	L
DY1□-140FS-1	11 (0.433)	6.8 (0.268)	9.73 (0.383)
DY1□-□□□FS-2	12 (0.472)	7.8 (0.307)	10.73 (0.422)
DY1□-□□□FS-3	13 (0.512)	8.8 (0.346)	11.73 (0.462)
DY1□-□□□FS-4	14 (0.551)	9.8 (0.386)	12.73 (0.501)

Packaging style

Tray

Printed Circuit Board Layout
(Component Side View)



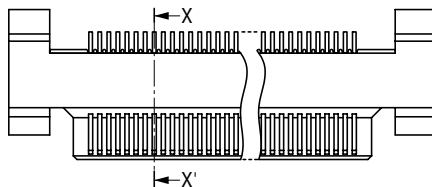
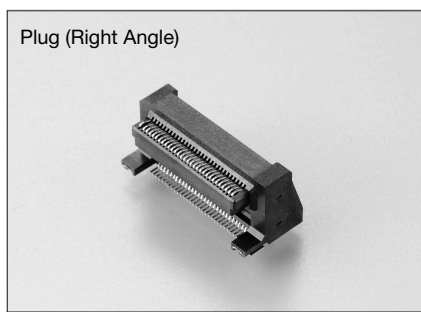
Product Table / Dimensions

No. of contacts	Part Number	A	B	C	D	E	F	G	H	J	Number of packaging
60	DY1□-060FS-□	20.9 (0.823)	14.5 (0.571)	16.4 (0.646)	15.5 (0.610)	20.7 (0.815)	17 (0.669)	21.5 (0.846)	14.5 (0.571)	17 (0.669)	60
80	DY1□-080FS-□	25.9 (1.020)	19.5 (0.768)	21.4 (0.843)	20.5 (0.807)	25.7 (1.012)	22 (0.866)	26.5 (1.043)	19.5 (0.768)	22 (0.866)	50
100	DY1□-100FS-□	30.9 (1.217)	24.5 (0.965)	26.4 (1.039)	25.5 (1.004)	30.7 (1.209)	27 (1.063)	31.5 (1.240)	24.5 (0.965)	27 (1.063)	50
120	DY1□-120FS-□	35.9 (1.413)	29.5 (1.161)	31.4 (1.236)	30.5 (1.201)	35.7 (1.406)	32 (1.260)	36.5 (1.437)	29.5 (1.161)	32 (1.260)	40
140	DY1□-140FS-□	40.9 (1.610)	34.5 (1.358)	36.4 (1.433)	35.5 (1.398)	40.7 (1.602)	37 (1.457)	41.5 (1.634)	34.5 (1.358)	37 (1.457)	40

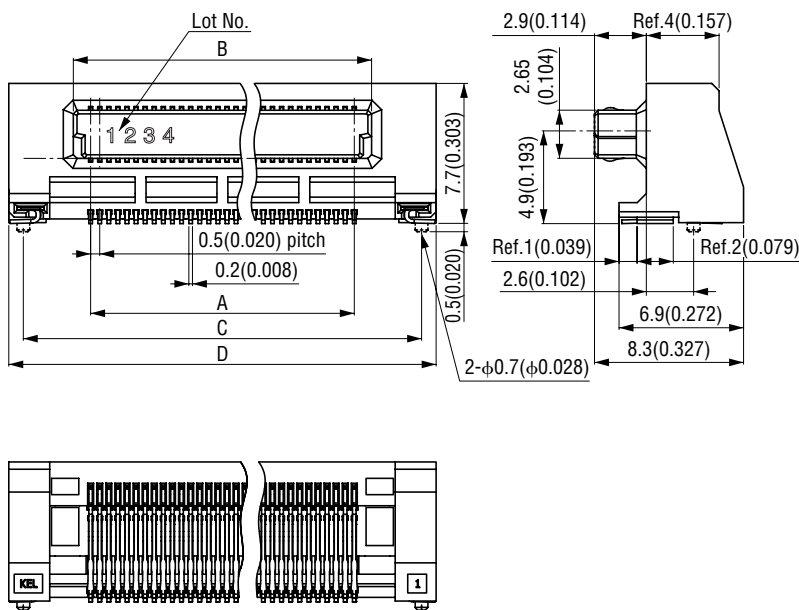
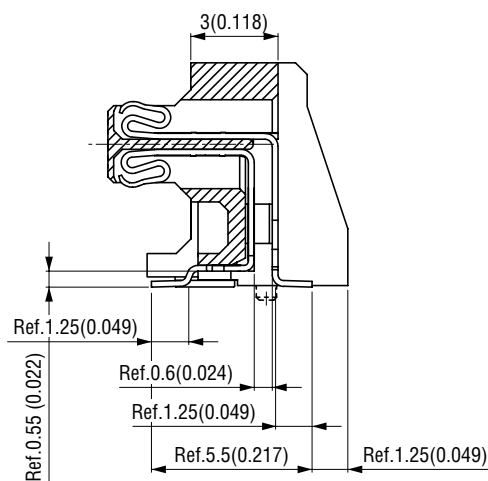
*Order accepted 500pcs. min. Please contact your local sales office for orders less than 500pcs.

DY1□-□□□L (Plug, Right angle)

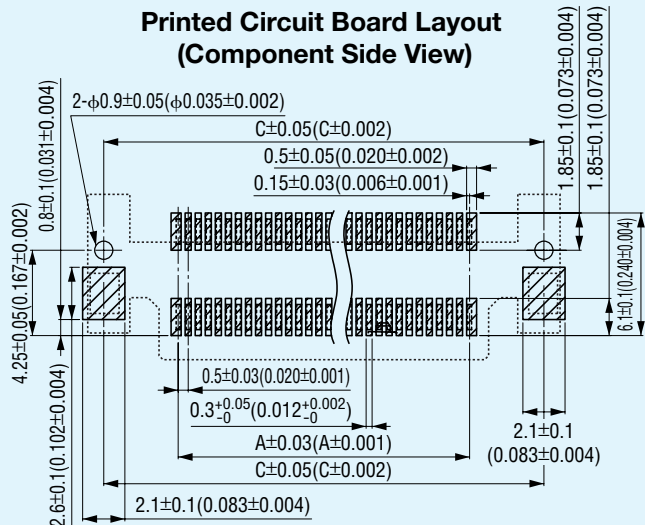
Unit:mm(inch)



X-X' Cross Section



Printed Circuit Board Layout (Component Side View)



Packaging style
Embossed tape

Product Table / Dimensions

No. of contacts	Part Number	A	B	C	D	Number of packaging
30	DY1□-030L	7.0 (0.276)	8.9 (0.350)	14.4 (0.567)	16.0 (0.630)	500
40	DY1□-040L	9.5 (0.374)	11.4 (0.449)	16.9 (0.665)	18.5 (0.728)	500
50	DY1□-050L	12.0 (0.472)	13.9 (0.547)	19.4 (0.764)	21.0 (0.827)	500
60	DY1□-060L	14.5 (0.571)	16.4 (0.646)	21.9 (0.862)	23.5 (0.925)	500
80	DY1□-080L	19.5 (0.768)	21.4 (0.843)	26.9 (1.059)	28.5 (1.122)	500
90	DY1□-090L	22.0 (0.866)	23.9 (0.941)	29.4 (1.157)	31.0 (1.220)	500
100	DY1□-100L	24.5 (0.965)	26.4 (1.039)	31.9 (1.256)	33.5 (1.319)	500

*Specifications and dimensions are subject to change without notice.