

Ultra Fine Pitch (0.25mm), Ultra Low Profile (1.44mm) Connector for Micro Coaxial Cable (Stacking Type)

XSLS SERIES



KEL CORPORATION
KEL CONNECTORS, INC
KEL Taiwan Co., Ltd.
KEL Shanghai Co., Ltd.

www.kel.jp

6-17-7 Nagayama, Tama-shi, Tokyo 206-0025, Japan
Phone: +81-42-374-5802 Fax: +81-42-374-5888 E-mail: info@kel.jp

1250 Oakmead Parkway, Suite 105, Sunnyvale, CA 94085-4035, U.S.A.
Phone: +1-408-720-9044 Fax: +1-408-720-1989 E-mail: info@kelusa.com

3F No.82-2 Dong-Shoenn st. Shu-Lin, Taipei Hsien, Taiwan R.O.C. 238
Phone: +886-2-8686-9200 FAX: +886-2-8686-6925

Flat 9, 6/F, Jing 'an China Tower, 1701 West Beijing Rd.,
Jing 'an Dist., Shanghai 200040, China
Phone: +86-21-64400051 FAX: +86-21-64400053



QMS, EMS
JIS Q 9001, JIS Q 14001
JSA Q064, JSAE532

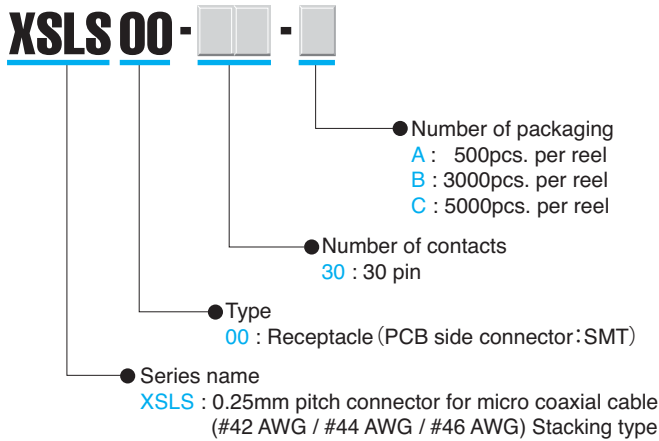
CAT.No.XSLS-1108-001-AY



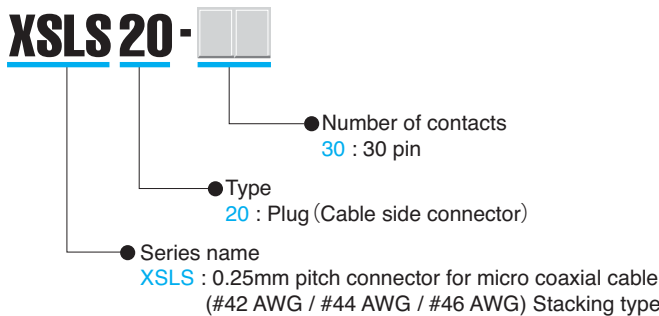
FEATURES

- Ultra fine pitch 0.25mm
- Ultra low profile 1.44mm
- For micro coaxial cable (#42 AWG, #44 AWG, #46 AWG)
- ※ May be applied to some discrete cables, please consult with your local sales office.
- Highly reliable design with effective contact displacement of 0.31mm
- It can be put through narrow areas such as small hinge holes even after cable assembly.
- Due to that the bottom of the connector is covered with resin, circuit may be printed under the connector.
- Nickel barrier of the board side contact prevents solder rise.
- Ground terminals on both ends of the connector improve the transmission characteristic. Ground terminals of the board side connector are also utilized as retention clips.
- Mold ribs between the contacts of the cable side connector improve the accuracy of the alignment of the cables and prevent solder bridge.
- Signal terminals are soldered by Pulse Heat in one shot and keep a stable & highly reliable connection
- Having the width of the cable side connector longer than the board side connector makes it is easy to insert and withdraw without using a jig.
- Can be automatic or manually placed
- RoHS compliance

ORDER CODE



ORDER CODE



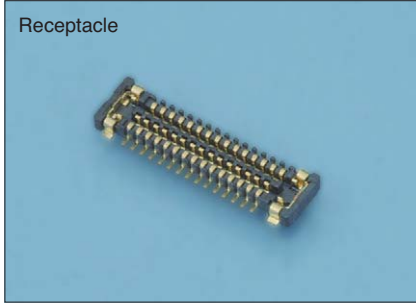
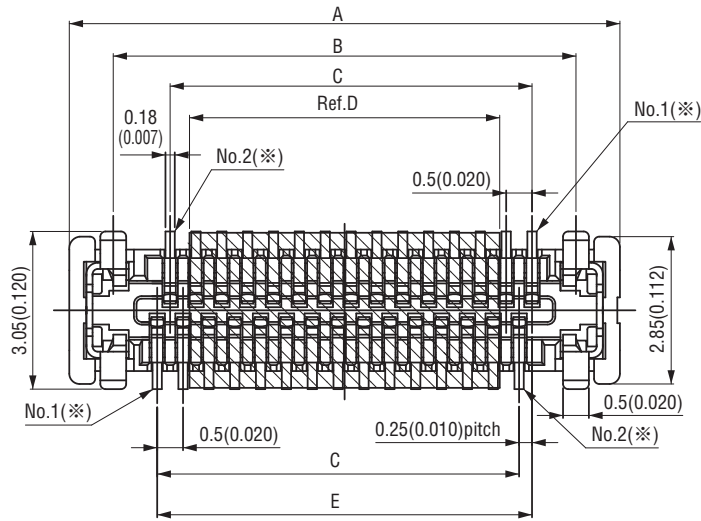
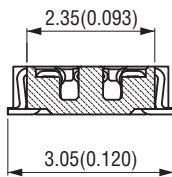
※ Plug (cable side) connector is composed of a base and a shell.
But the packaging quantity per reel differ.
(Base : 5000pcs/reel Shell : 10000pcs/reel)
Please order with a quantity multiples of 10,000pcs when ordering the plug (cable side) connector.
Please consult with your local sales office for orders with a quantity less than 10,000pcs.

SPECIFICATIONS

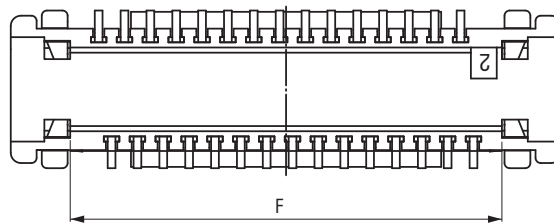
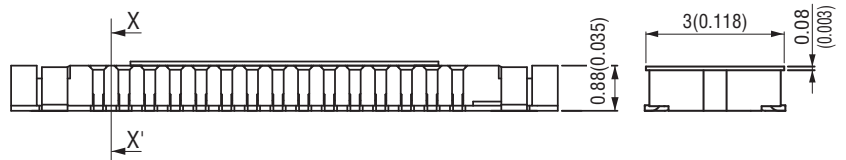
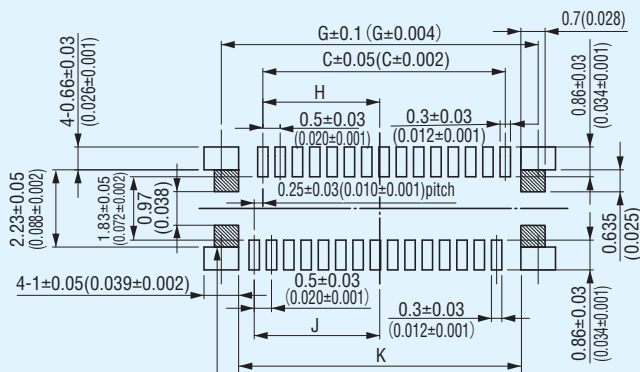
- Insulator material : Glass-filled LCP (UL94V-0), Black (XSLS00)
Inorganic Filler LCP (UL94V-0), Black (XSLS20)
- Contact material : Copper alloy
- Contact plating : Gold over Nickel
- Retention clip material : Copper alloy
- Retention clip plating : Gold over Nickel
- Shell material : Stainless
- Shell plating : Gold over Nickel
- Current rating : 0.3A per contact
- Contact resistance : 100mΩ max.
- Dielectric withstanding voltage : 100V AC for 1 minute
- Insulation resistance : 50MΩ min. at 100V DC
- Operating temperature : -40°C to +85°C
- Insertion and withdrawal durability : 30 times

XSLS00-□□-□ (Receptacle)

Unit:mm(inch)


X-X' Cross Section


(※)There is no specific direction for mounting or mating due to that the connector is in rotational symmetric shape. Please pay attention to pin assignment and mating direction of the plug connector.


Printed Circuit Board Layout (Component Side View)


Hatching part is open area of SMT metal retention clip. Do not pattern in this area. Ground mounting is recommended.

Packaging style
Embossed tape

Product Table

Part Number	Number of packaging
XSLS00-30-A	500
XSLS00-30-B	3,000
XSLS00-30-C	5,000

Product Table / Dimensions

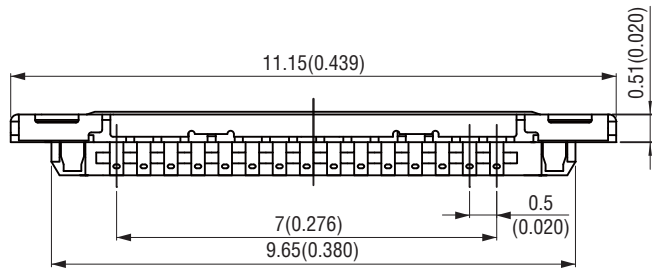
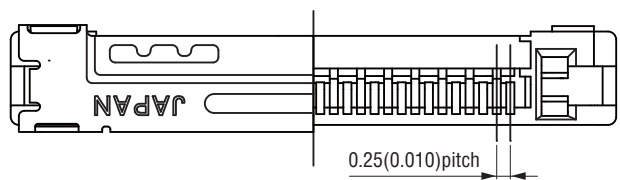
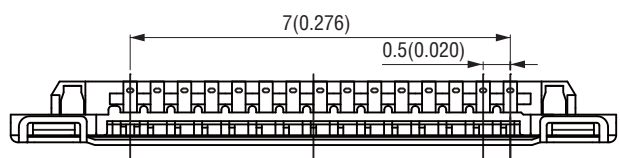
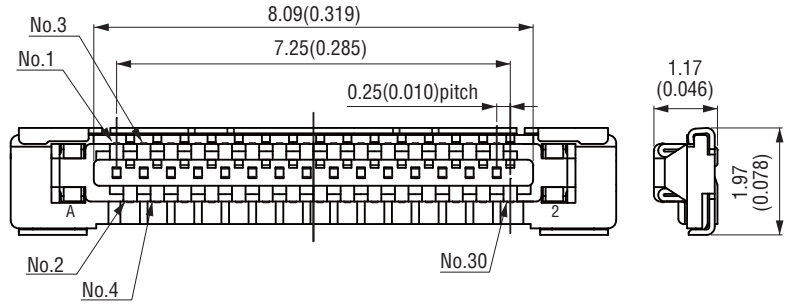
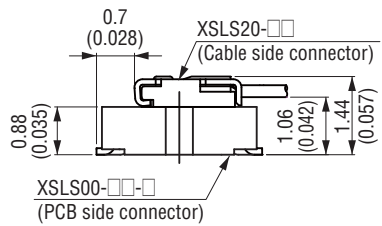
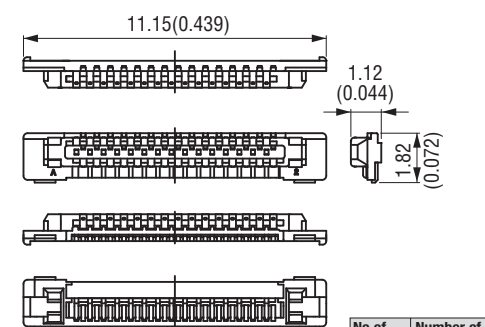
No. of contacts	Part Number	A	B	C	D	E
30	XSLS00-30-□	10.65 (0.419)	8.95 (0.352)	7 (0.276)	6 (0.236)	7.25 (0.285)
No. of contacts	Part Number	F	G	H	J	K
30	XSLS00-30-□	8.35 (0.329)	9.15 (0.360)	3.375 (0.133)	3.625 (0.143)	8.15 (0.321)

XSLS20-□□ (Plug)

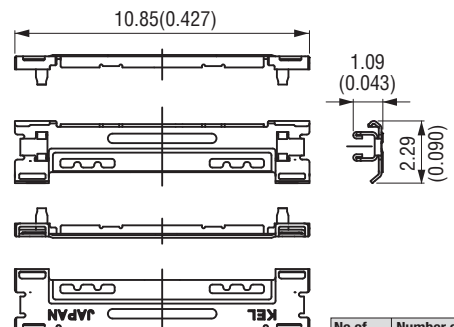
Unit:mm(inch)



Plug


Mating Drawing

XSLS20-□□BASE


No. of contacts	Number of packaging
30	5,000

XSLS20-□□SHELL


No. of contacts	Number of packaging
30	10,000

 Packaging style
Other

Product Table

Part Number	Number of packaging
XSLS20-30	10,000

*XSLS20-30BASE and XSLS20-30SHELL are component parts of XSLS20-30.

*Specifications and dimensions are subject to change without notice.

~ M E M O ~



B.C.E. s.r.l.
Via Regina Pacis, 54/c - 41049 SASSUOLO (MO) Italy
Tel. +39 0536 811.616 r.a. - Fax +39 0536 811.500
www.bce.it - E-mail: bce@bce.it

