



*Interconnect
and Packaging Electronics*

The I-PEX logo consists of the letters "I-PEX" in a bold, blue, sans-serif font. The "I" and "P" are enclosed in a blue rectangular box. The "E" is stylized with a blue outline and a blue fill.

I-PEX would offer the best technical support,
the best quality products, the best reasonable price,
and the best service

CONNECTORS CATALOG

EVAFLEX® 5 and EVAFLEX® 5 - SE

EVAFLEX™ 5

0.5mm Pitch **Horizontal Type**
Non-ZIF Type



EVAFLEX™ 5 is a One Piece Type connector for shielded FFC / FPC. This connector has been developed to replace the TV industry's standard Two Piece Type connector. Easy replacement is possible without PCB design change as EVAFLEX™ 5 is foot print compatible with the industry's standard.¹ Moreover, EVAFLEX™ 5 supports high speed transmission interface (more than 1Gbps), provides high performance and low cost.

【Features】

- High speed transmission : Supports more than 1Gbps high speed signal by optimized design of the contact and GND's shape and arrangement
- Shield characteristics : Excellent EMI / EMC performance due to full metal cover and GND
- Easy, reliable, high productivity : High productivity is provided by an easy and reliable mating operation by Non-ZIF and auto lock structures
- Audible click and tactile feel : Insures proper mating and positive locking of FFC/FPC²
- Higher reliable connection : Highly reliable contact by I-PEX's unique W-point contact structure
- High retention force lock structure : Prevents the FFC/FPC from losing connection during high shock and vibration situations

【Number of Positions】

41p, 51p

【Applicable cable】

Impedance matching Shield FFC / FPC³

【Ordering Code】

20519-0 ****** **E**
① ②

①	POS.	41: 41pos	51: 51pos
②	Packaging	E	Emboss Tape

【Material / Finish】

Product	Parts	Material	Plating / Color
EVAFLEX™5	HOUSING	LCP UL94V-0	BLACK
	CONTACT (Signal)	COPPER ALLOY	Au
	CONTACT (Shield)	COPPER ALLOY	Au
	SHELL	COPPER ALLOY	Sn

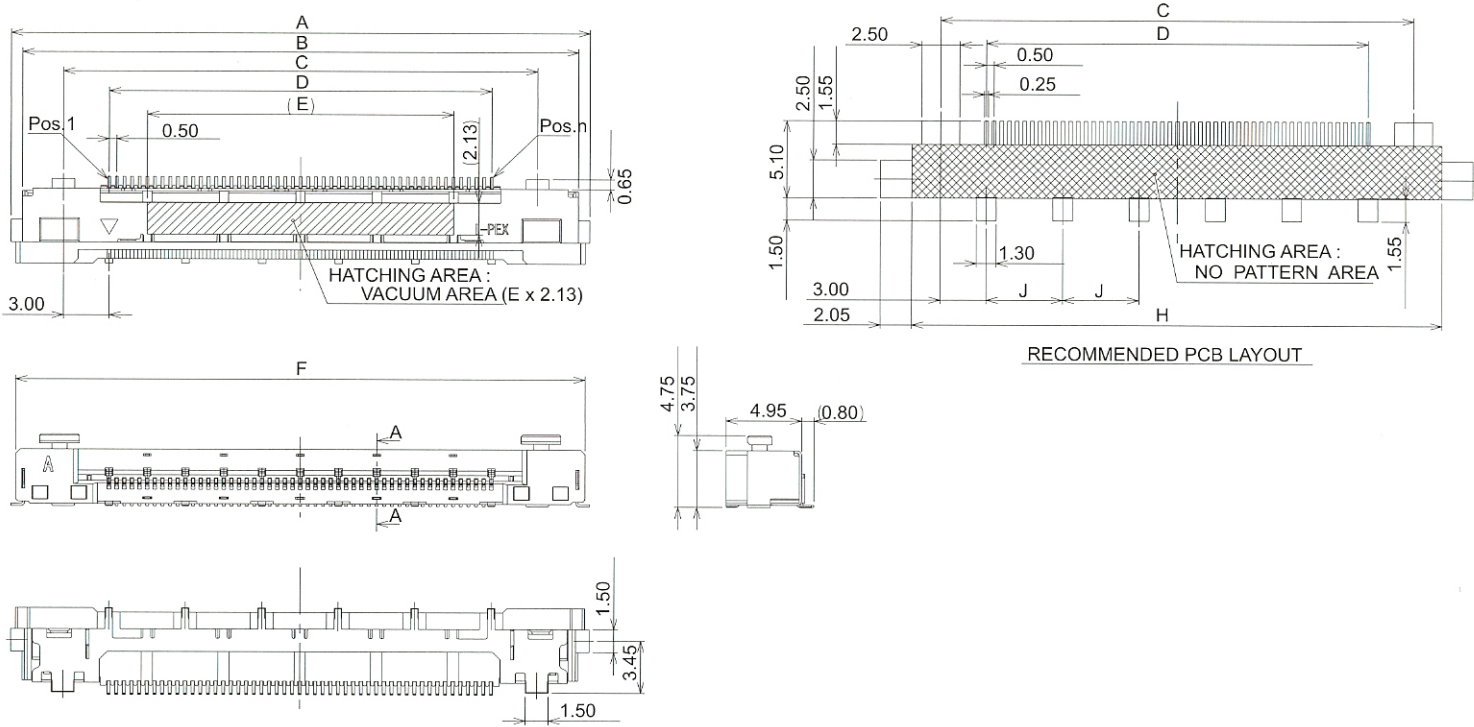
*Please inquire to I-PEX representative for Product specification and drawing.

*1 : May require some changes due to environmental condition. Please contact us in advance.

*2 : By a combination of FFC/FPC, audible click and tactile feel change may occur.

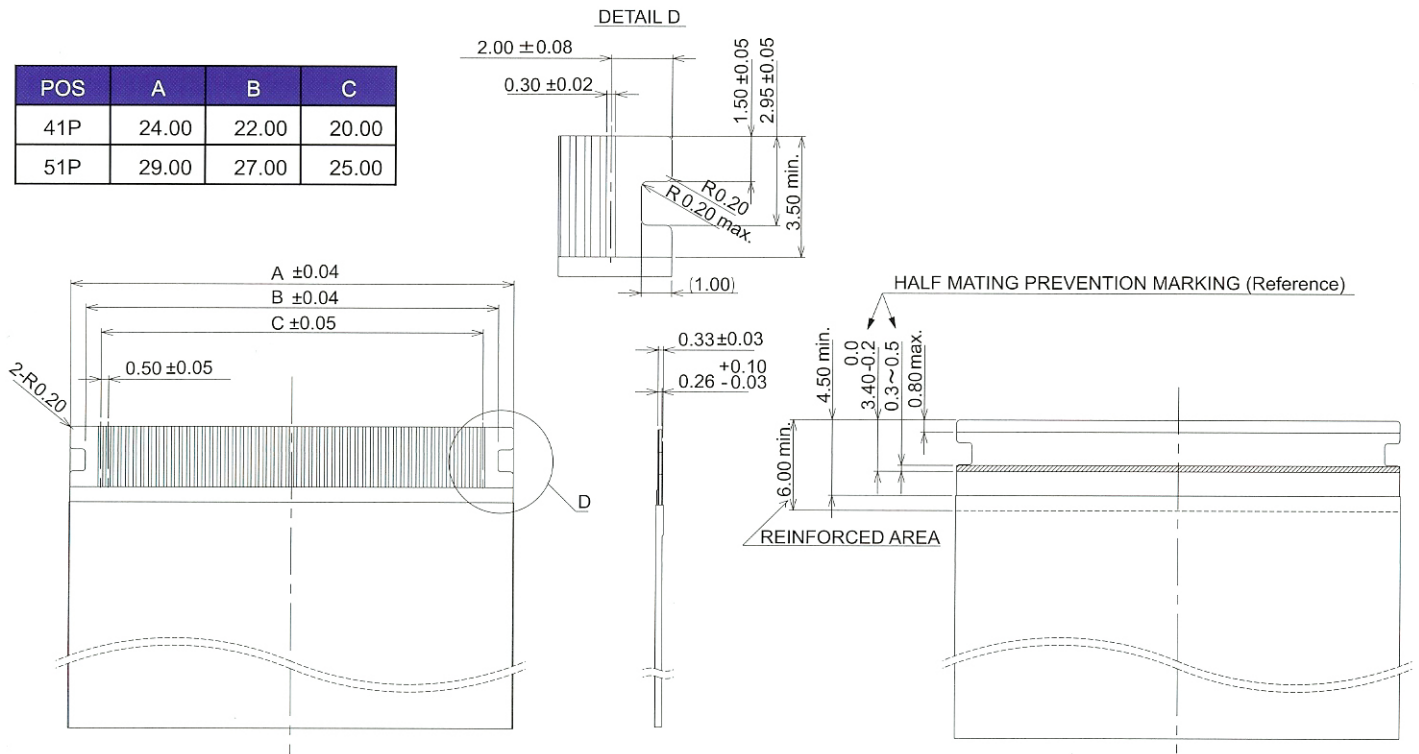
*3 : Please contact us for the FFC/FPC drawing and specification.

POS	A	B	C	D	E	F	G	H	J
41P	32.85	31.35	26.00	20.00	15.00	32.35	24.06	29.75	4.00
51P	37.85	36.35	31.00	25.00	20.00	37.25	29.06	34.75	5.00



RECOMMENDED FFC DIMENSION

POS	A	B	C
41P	24.00	22.00	20.00
51P	29.00	27.00	25.00



NOTES
DIFFERENTIAL IMPEDANCE : $100 \pm 10 \Omega$

EVAFLEX™ 5 - SE

0.5mm Pitch

Horizontal Type
Non-ZIF Type



EVAFLEX™5 - SE is a totally new concept for FFC/FPC connector focused on efficient operation and reliability. Only one action regard to insert the FFC/FPC, connection reliability is dramatically improved due to the side lock design. EVAFLEX™5 - SE is available for use in various applications such as automotive and industrial that require a rugged FFC/FPC connector.

【Features】

- Easy, reliable, high productivity : High productivity is provided by an easy and reliable mating operation by Non-ZIF and auto lock structures
- Audible click and tactile feel : Insures proper mating and positive locking of FFC/FPC^{*1}
- Higher reliable connection : Highly reliable contact by I-PEX's unique W-point contact structure
- High retention force lock structure : Prevents the FFC/FPC from losing connection during high shock and vibration situations

【Number of Positions】

30p, 40p, 45p, 50p, 60p

【Applicable cable】

FFC or FPC^{*2}

【Ordering Code】

20526-0 ^① ****** **E** - **01** ^②

①	POS.	30: 30pos 40: 40pos 45: 45pos 50: 50pos 60: 60pos
②	Packaging	E Emboss Tape

【Material / Finish】

Product	Parts	Material	Plating / Color
EVAFLEX™5 - SE	HOUSING	LCP UL94V-0	BLACK
	CONTACT	COPPER ALLOY	Au
	HOLD DOWN	COPPER ALLOY	Sn

*Please inquire to I-PEX representative for Product specification and drawing.

*1 : By a combination of FFC/FPC, audible click and tactile feel change may occur.

*2 : Please contact us for the FFC/FPC drawing and specification.

EVAFLEX™ 5 - SE

0.5mm Pitch

Horizontal Type
Non-ZIF Type



EVAFLEX™5 - SE is a totally new concept for FFC/FPC connector focused on efficient operation and reliability. Only one action regard to insert the FFC/FPC, connection reliability is dramatically improved due to the side lock design. EVAFLEX™5 - SE is available for use in various applications such as automotive and industrial that require a rugged FFC/FPC connector.

【Features】

- Easy, reliable, high productivity : High productivity is provided by an easy and reliable mating operation by Non-ZIF and auto lock structures
- Audible click and tactile feel : Insures proper mating and positive locking of FFC/FPC^{*1}
- Higher reliable connection : Highly reliable contact by I-PEX's unique W-point contact structure
- High retention force lock structure : Prevents the FFC/FPC from losing connection during high shock and vibration situations

【Number of Positions】

30p, 40p, 45p, 50p, 60p

【Applicable cable】

FFC or FPC^{*2}

【Ordering Code】

20526-0 ^① ****** ^② **E - 01**

①	POS.	30: 30pos 40: 40pos 45: 45pos 50: 50pos 60: 60pos
②	Packaging	E Emboss Tape

【Material / Finish】

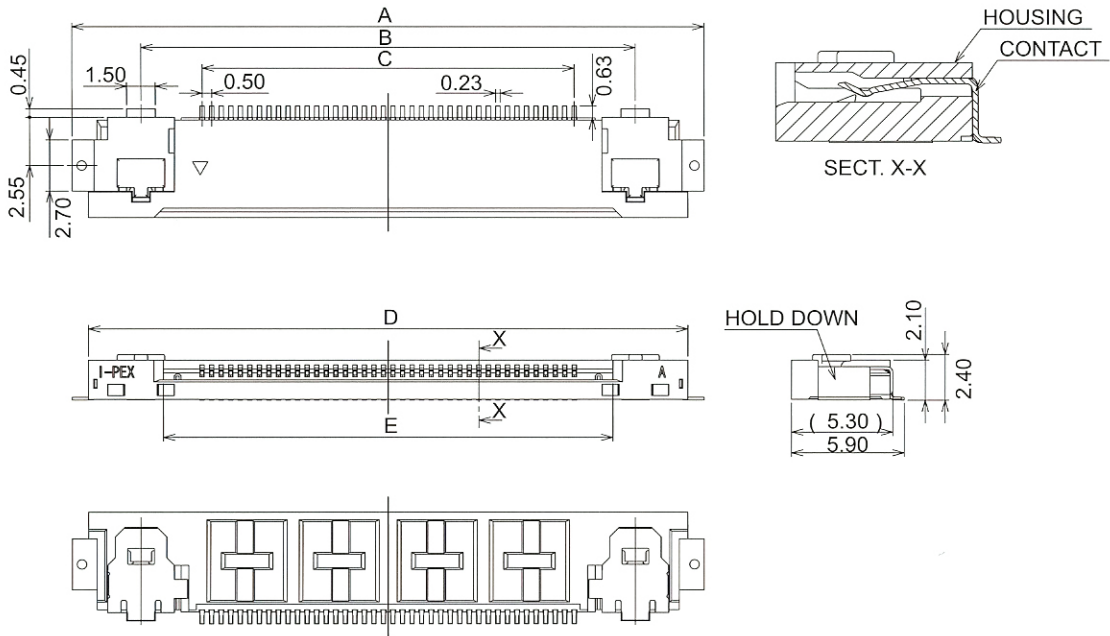
Product	Parts	Material	Plating / Color
EVAFLEX™5 - SE	HOUSING	LCP UL94V-0	BLACK
	CONTACT	COPPER ALLOY	Au
	HOLD DOWN	COPPER ALLOY	Sn

*Please inquire to I-PEX representative for Product specification and drawing.

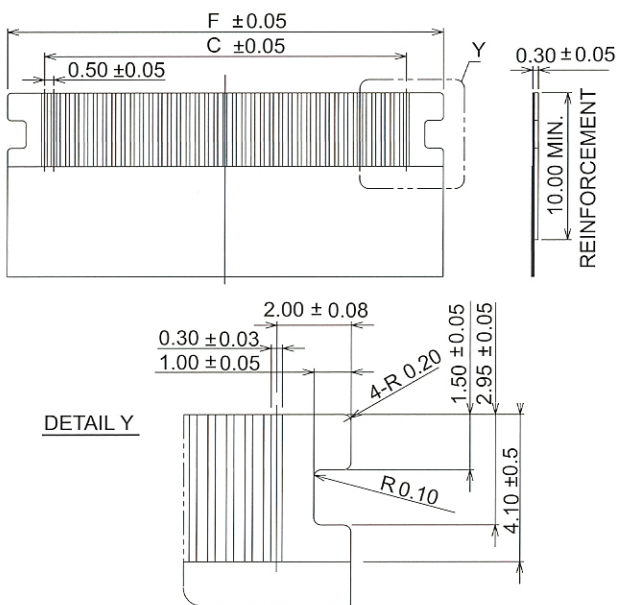
*1 : By a combination of FFC/FPC, audible click and tactile feel change may occur.

*2 : Please contact us for the FFC/FPC drawing and specification.

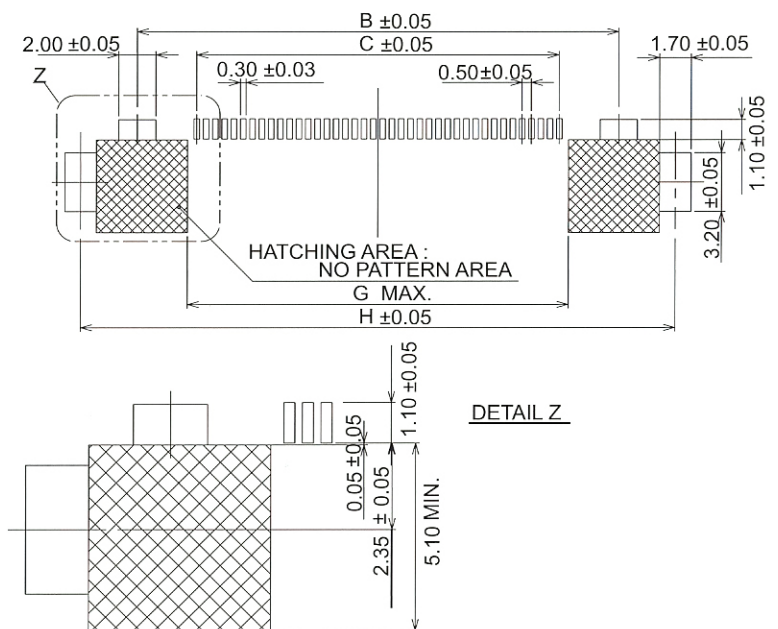
POS.	A	B	C	D	E	F	G	H
30	28.10	20.90	14.50	26.40	18.56	18.50	15.50	27.00
40	33.10	25.90	19.50	31.40	23.56	23.50	20.50	32.00
45	35.60	28.40	22.00	33.90	26.06	26.00	23.00	34.50
50	38.10	30.90	24.50	36.40	28.56	28.50	25.50	37.00
60	43.10	35.90	29.50	41.40	33.56	33.50	30.50	42.00



RECOMMENDED FFC/FPC LAYOUT



RECOMMENDED PCB LAYOUT



~ M E M O ~



B.C.E. s.r.l.
Via Regina Pacis, 54/c - 41049 SASSUOLO (MO) Italy
Tel. +39 0536 811.616 r.a. - Fax +39 0536 811.500
www.bce.it - E-mail: bce@bce.it

