







<b>Plastic Hoods</b>	<b>01</b>	<b>Sub-D Connectors, MHD Standard Series</b>	<b>06</b>
MHDPPK-SLIM Top Entry	6-7	Sub-D Solder Cup	54
MHDSSK-P Side & Top Entry	8	Sub-D Dip Solder Type	55
MHDTPPK Top Entry	9	Sub-D Crimp Connectors	56
MHD45PPK Side Entry	10	Sub-D IDC Connectors	57
MHTRI-P 3-way Entry	11	Sub-D High Density Solder Cup	58
MHCCOV-SN Top Entry	12-13	Sub-D High Density Dip Solder Type	59
MHED Top Entry	14-15	Sub-D High Density Crimp Connectors	60
		Sub-D - MH105 IDC Series	61
		<i>Mounting Options MHD-Series</i>	62
<b>Metalized Plastic Hoods</b>	<b>02</b>	<b>Sub-D Connectors, High Quality Series</b>	<b>07</b>
MHDPPK-MET Top Entry	16	Sub-D Solder Cup	65
MHDSSK-MET Side & Top Entry	17	Sub-D Dip Solder Straight	66
MHDTPK Top Entry	18	Sub-D Dip Solder Crooked	67
MHD45PK Side Entry	19	Sub-D Wire Wrap	68
MHTRI-M 3-way Entry	20	Sub-D Dip Solder Angled	69-71
MHC88E2 Side Entry	21	Sub-D Crimp Connectors	72-43
MHC88E3 Top Entry	22	Sub-D IDC Connectors	74
MHCCOV-MP Top Entry	23	Sub-D 90° SMD Connectors	75-77
		Sub-D High Density Solder Cup	78
		Sub-D High Density Dip Solder Straight	79
		Sub-D High Density Dip Solder Angled	80
<b>Full Metal Hoods</b>	<b>03</b>	<b>Sub-D Filter Connectors</b>	<b>08</b>
MHULTI HOOD Top Entry	24	Sub-D Solder Cup	82
MHULTI HOOD Side Entry	25	Sub-D Dip Solder Straight	83
MHDTZK Top Entry	26-31	Sub-D Dip Solder Angled	84-86
MHD45ZK Side Entry	32-33	Sub-D 90° SMD Connectors	87-89
MHDTZK-ADK Top Entry	34		
MHD45ZK-ADK Side Entry	35	<b>Sub-D COMBO Connectors</b>	<b>09</b>
MHDTSL Top Entry	36-37	Sub-D Solder Cup	92
MHDTZI Top Entry	38	Sub-D Dip Solder Straight	93
MHDVSL Side Entry	39	Sub-D Dip Solder Angled	94
MHDCMR Side Entry	40-41	High Power Contacts	95
MHDSCK Side Entry	42	Coaxial Contacts	96-97
MHC88E000 Side & Top Entry	43	<i>Mounting Options High Quality Series</i>	98-106
MHCCOV-ME Top Entry	44-45		
<b>Metal + Plastic Hoods</b>	<b>04</b>	<b>BUS Connector Systems</b>	<b>107-109</b>
DTK / DTPK I-Series Top Entry	46		<b>10</b>
DTK / DSK SL-Series Side & Top Entry	47	<b>DVI &amp; HDMI Connectors</b>	<b>110-115</b>
			<b>11</b>
<b>Special Hoods</b>	<b>05</b>	<b>DIN 416 12 Connectors</b>	<b>116-127</b>
Flat Cable Hoods	48		<b>12</b>
Drawn Metal Hoods / Cans	48	<b>Hard Metric Connectors</b>	<b>128-129</b>
MHED-N Diecast Crimp Hood	49		<b>13</b>
		<b>2,0mm &amp; 2,54mm Connectors</b>	<b>130-131</b>
			<b>14</b>
<b>Adapter Housings &amp; Kits</b>	<b>05</b>	<b>Flat Pin Connectors, 1-pole &amp; 2-pole</b>	<b>136-137</b>
MHDAPK - Shielded & Unshielded	50		<b>15</b>
MHDA	51	<b>Nano &amp; Micro Connector Series</b>	<b>16</b>
MHGA	52	Bi-Lobe Nano Connectors	138
		Circular Nano Connectors	139
		Strip Connectors, Micro	140
<b>Moulded Rubber Gaskets and Housings</b>	<b>05</b>	<b>Fiber Optic Connector Series</b>	<b>142-143</b>
DIP Moulded Series	53		<b>17</b>

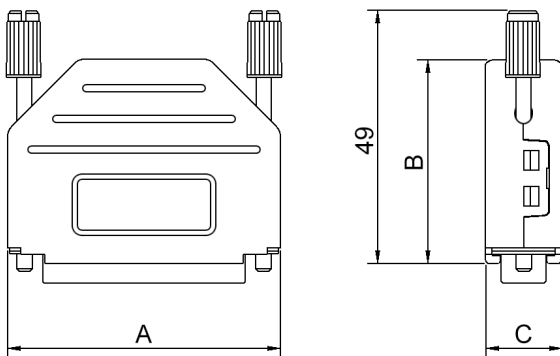
<b>Plastic Hoods</b>		01
<b>Metallised Plastic Hoods</b>		02
<b>Full Metal Hoods</b>		03
<b>Metal + Plastic Hoods</b>		04
<b>Special Hoods &amp; Covers</b>		05
<b>Sub-D Standard Connectors</b>		06
<b>Sub-D High Quality Connectors</b>		07
<b>Sub-D Filter Connectors</b>		08
<b>Sub-D Combo Connectors</b>		09
<b>BUS Connector Systems</b>		10
<b>DVI &amp; HDMI Connectors &amp; Housings</b>		11
<b>DIN 416 12 Connectors</b>		12
<b>Hard Metric Connectors</b>		13
<b>2,0 &amp; 2,54mm Pitch Connectors</b>		14
<b>Flat Pin Connectors</b>		15
<b>Micro &amp; Nano Connectors</b>		16
<b>Fiber Optic Connector Solutions</b>		17

<b>Modular Plugs &amp; Jacks</b>		<b>18</b>
MHRJ – Series, Plugs & Strain Relief Boots	144-146	
MHRJ – Series, Jacks & Couplers	147	
<b>Bel-Stewart Connector Systems</b>		<b>19</b>
Cat 6a / 7a – Shielded & Unshielded Plugs & Jacks	148-149	
Modular Plugs, Series 30, 36, 37, 39	150	
Modular Jacks, Series 60, 64, 65, 70, 71	151	
Modular Jacks, Series 66, 71, 73, 73100, 73500	152	
Modular Jacks, Series 80, 82, Voice, 31-32, 61-62	152	
MagJacks	153-154	
Tooling, Professional & Semi-Professional	155	
<b>Bel-Fuse</b>		<b>19</b>
SMP, SIP & FC Fuse-Clips	156	
MRF, MRT, RST Series	156	
5E, 5H, 5S, 5V IEC 5x20mm, 250V	156	
C1, C2, SS Surface Mount Series	157	
3A, 3S, GS Fast & Slow Blow UL/CSA 1/4 x 11/4	157	
MQ, MS Fast & Slow Blow UL/CSA 125V Micro Series	157	
RJS UL/CSA 4,6 x 15,5mm	157	
2J, 3J, MJS UL/CSA 5 x 15mm (2AG)	157	
5M, 5T UL/CSA 5 x 20mm 250V	157	
<b>Waterproof Connectors</b>		<b>20</b>
Sub-D Connectors	158-161	
RJ45 Modular Connector Series	162-164	
Mini-DIN Connector Series	165	
USB Connector Series	166-167	
Sensor Connector Series	168-169	
Circular Connector & Circular Connector II Series	170-175	
<b>Solar / Photovoltaic Connector Systems</b>		<b>176-177</b>
<b>Waterproof Cable &amp; Pipe Sealing Systems</b>		<b>22</b>
RG M63 - Circular Kits	178	
C RS T - Circular Kits	179	
CF8 & CF32 - Rectangular Kits	180	
CF16 - Rectangular Kits	181	
ComSeal - Rectangular Kits	182	
EzEntry™ - Rectangular Kits	183	
<b>Accessories</b>		<b>23</b>
Rubber & Plastic Grommets and Ferrules for Sub-D Hoods	184	
Slide Locks & Slide Lock Posts	185	
Retainer Clips	185	
Jackscrews & Screw Kits	186	
Male & Female Screw Locks	186	
Hex Extenders / Hex Nuts	186	
BNC Strain Relief Boots	187	
Miniature Gender Changers	187	
Dust Caps for Sub-D Connectors	187	
Crimp Tooling / Hexagonal Crimp	188	
Crimp Tooling / Sub-D Crimp Contacts	188	
Cutter - For Plastic Grommets	188	
<b>Assembly Instructions - Hoods</b>		<b>xxxxx</b>
		<b>24</b>

<b>Modular Plugs &amp; Jacks</b>		18
<b>Bel-Stewart Connector System</b>		19
<b>Waterproof Connectors IP66 - IP68</b>		20
<b>Solar / Photovoltaic Connectors</b>		21
<b>Waterproof Cable &amp; Pipe Sealings</b>		22
<b>Accessories</b>		23
<b>Assembly Instructions - Hoods</b>		24

**TECHNICAL SPECIFICATIONS**

- Material:** Polyamid, UL-recognised
- Operating Temperature:** -55°C to +110°C
- Cable Entry:** Top
- Thumbscrews:** UNC 4-40 (Standard)  
M2,5 or M3 on request
- Cable O.D:** Up to 11,5mm
- Accessories:** See page XXX
- Assembly Instruction:** See page XXX



Size	Dim A	Dim B	Dim C
9-way	31,5	34,0	15,0
15-way	40,0	34,0	15,0
25-way	53,5	34,0	15,0
37-way	70,0	40,0	15,0
50-way	67,5	40,0	15,0

**Features:**

- Available in sizes 9-15-25-37-50-way
- Suitable for any common Sub-D connector
- Quick-snap locking system
- Standard Colour Black, other colour on request
- Company logo can be moulded on request

**Ordering information: Standard - Black**

Size:	P/N - Kitted:	Product Code:
9-way	6260-0101-01	MHDPPK09-BK-K
15-way	6260-0101-02	MHDPPK15-BK-K
25-way	6260-0101-03	MHDPPK25-BK-K
37-way	6260-0101-04	MHDPPK37-BK-K
50-way	6260-0101-05	MHDPPK50-BK-K

Size:	P/N - BULK:	Product Code:
9-way	6261-0101-01	MHDPPK09-BK
15-way	6261-0101-02	MHDPPK15-BK
25-way	6261-0101-03	MHDPPK25-BK
37-way	6261-0101-04	MHDPPK37-BK
50-way	6261-0101-05	MHDPPK50-BK

Ordering information:



**Light Grey**

Size:	Part Number:	Product Code:
9-way	6353-0101-01	MHDPPK09-LG-K
15-way	6353-0101-02	MHDPPK15-LG-K
25-way	6353-0101-03	MHDPPK25-LG-K
37-way	6353-0101-04	MHDPPK37-LG-K
50-way	6353-0101-05	MHDPPK50-LG-K

Size:	Part Number:	Product Code:
9-way	6354-0101-01	MHDPPK09-LG
15-way	6354-0101-02	MHDPPK15-LG
25-way	6354-0101-03	MHDPPK25-LG
37-way	6354-0101-04	MHDPPK37-LG
50-way	6354-0101-05	MHDPPK50-LG



**DEC Grey**

Size:	Part Number:	Product Code:
9-way	6353-0102-01	MHDPPK09-DEC-K
15-way	6353-0102-02	MHDPPK15-DEC-K
25-way	6353-0102-03	MHDPPK25-DEC-K
37-way	6353-0102-04	MHDPPK37-DEC-K
50-way	6353-0102-05	MHDPPK50-DEC-K

Size:	Part Number:	Product Code:
9-way	6354-0102-01	MHDPPK09-DEC
15-way	6354-0102-02	MHDPPK15-DEC
25-way	6354-0102-03	MHDPPK25-DEC
37-way	6354-0102-04	MHDPPK37-DEC
50-way	6354-0102-05	MHDPPK50-DEC



**Red**

Size:	Part Number:	Product Code:
9-way	6353-0103-01	MHDPPK09-R-K
15-way	6353-0103-02	MHDPPK15-R-K
25-way	6353-0103-03	MHDPPK25-R-K
37-way	6353-0103-04	MHDPPK37-R-K
50-way	6353-0103-05	MHDPPK50-R-K

Size:	Part Number:	Product Code:
9-way	6354-0103-01	MHDPPK09-R
15-way	6354-0103-02	MHDPPK15-R
25-way	6354-0103-03	MHDPPK25-R
37-way	6354-0103-04	MHDPPK37-R
50-way	6354-0103-05	MHDPPK50-R



**Blue**

Size:	Part Number:	Product Code:
9-way	6353-0104-01	MHDPPK09-B-K
15-way	6353-0104-02	MHDPPK15-B-K
25-way	6353-0104-03	MHDPPK25-B-K
37-way	6353-0104-04	MHDPPK37-B-K
50-way	6353-0104-05	MHDPPK50-B-K

Size:	Part Number:	Product Code:
9-way	6354-0104-01	MHDPPK09-B
15-way	6354-0104-02	MHDPPK15-B
25-way	6354-0104-03	MHDPPK25-B
37-way	6354-0104-04	MHDPPK37-B
50-way	6354-0104-05	MHDPPK50-B



**Yellow**

Size:	Part Number:	Product Code:
9-way	6353-0105-01	MHDPPK09-Y-K
15-way	6353-0105-02	MHDPPK15-Y-K
25-way	6353-0105-03	MHDPPK25-Y-K
37-way	6353-0105-04	MHDPPK37-Y-K
50-way	6353-0105-05	MHDPPK50-Y-K

Size:	Part Number:	Product Code:
9-way	6354-0105-01	MHDPPK09-Y
15-way	6354-0105-02	MHDPPK15-Y
25-way	6354-0105-03	MHDPPK25-Y
37-way	6354-0105-04	MHDPPK37-Y
50-way	6354-0105-05	MHDPPK50-Y



**Green**

Size:	Part Number:	Product Code:
9-way	6353-0106-01	MHDPPK09-G-K
15-way	6353-0106-02	MHDPPK15-G-K
25-way	6353-0106-03	MHDPPK25-G-K
37-way	6353-0106-04	MHDPPK37-G-K
50-way	6353-0106-05	MHDPPK50-G-K

Size:	Part Number:	Product Code:
9-way	6354-0106-01	MHDPPK09-G
15-way	6354-0106-02	MHDPPK15-G
25-way	6354-0106-03	MHDPPK25-G
37-way	6354-0106-04	MHDPPK37-G
50-way	6354-0106-05	MHDPPK50-G



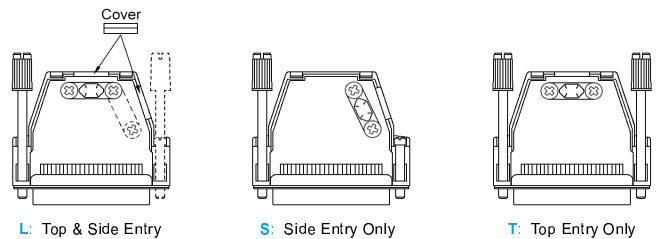
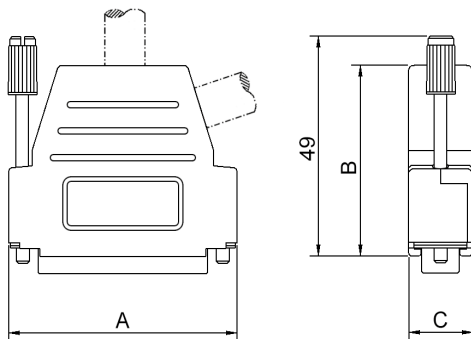
**White**

Size:	Part Number:	Product Code:
9-way	6353-0107-01	MHDPPK09-W-K
15-way	6353-0107-02	MHDPPK15-W-K
25-way	6353-0107-03	MHDPPK25-W-K
37-way	6353-0107-04	MHDPPK37-W-K
50-way	6353-0107-05	MHDPPK50-W-K

Size:	Part Number:	Product Code:
9-way	6354-0107-01	MHDPPK09-W
15-way	6354-0107-02	MHDPPK15-W
25-way	6354-0107-03	MHDPPK25-W
37-way	6354-0107-04	MHDPPK37-W
50-way	6354-0107-05	MHDPPK50-W

## TECHNICAL SPECIFICATIONS

- Material:** Polyamid, UL-recognised
- Operating Temperature:** -55°C to +110°C
- Cable Entry:** Side and Top  
Side Only  
Top Only
- Thumbscrews:** UNC 4-40 (Standard)  
M2,5 or M3 on request
- Cable O.D:** Up to 11,5mm
- Colour:** Black
- Accessories:** See page XXX
- Assembly Instruction:** See page XXX



Size DSSK-T/P	Dim A	Dim B	Dim B
9-way	31,5	40,0	43,0*
15-way	40,0	40,0	-
25-way	53,5	43,0	-
37-way	71,3	40,0	-

\* Top only

### Features:

- Available in sizes 9-15-25-37
- Suitable for any common Sub-D connector
- Quick-snap locking system
- Re-openable
- Company logo available upon request
- Also available in Metalized Version, See page XXX

### Ordering information:

Size:	P/N - Kitted:	Product Code:	L
9-way	6260-0107-01	MHDSSK-P-09-L-K	
15-way	6260-0107-02	MHDSSK-P-15-L-K	
25-way	6260-0107-03	MHDSSK-P-25-L-K	

Size:	P/N - BULK:	Product Code:	L
9-way	6261-0107-01	MHDSSK-P-09-L	
15-way	6261-0107-02	MHDSSK-P-15-L	
25-way	6261-0107-03	MHDSSK-P-25-L	

Size:	P/N - Kitted:	Product Code:	S
9-way	6260-0107-11	MHDSSK-P-09-S-K	
15-way	6260-0107-12	MHDSSK-P-15-S-K	
25-way	6260-0107-13	MHDSSK-P-25-S-K	
37-way	6260-0107-14	MHDSSK-P-37-S-K	

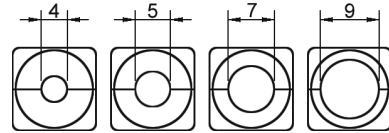
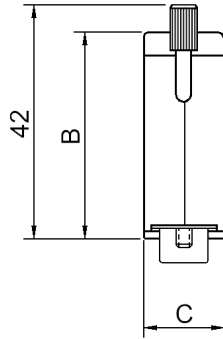
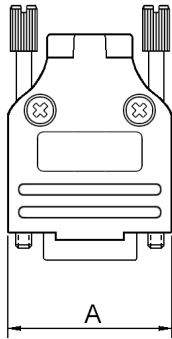
Size:	P/N - BULK:	Product Code:	S
9-way	6261-0107-11	MHDSSK-P-09-S	
15-way	6261-0107-12	MHDSSK-P-15-S	
25-way	6261-0107-13	MHDSSK-P-25-S	
37-way	6261-0107-14	MHDSSK-P-37-S	

Size:	P/N - Kitted:	Product Code:	T
9-way	6260-0107-21	MHDSSK-P-09-T-K	
15-way	6260-0107-22	MHDSSK-P-15-T-K	
25-way	6260-0107-23	MHDSSK-P-25-T-K	

Size:	P/N - BULK:	Product Code:	T
9-way	6261-0107-21	MHDSSK-P-09-T	
15-way	6261-0107-22	MHDSSK-P-15-T	
25-way	6261-0107-23	MHDSSK-P-25-T	

**TECHNICAL SPECIFICATIONS**

- Material:** UL 94 V-0 Plastic Material
- Operating Temperature:** -55°C to +110°C
- Cable Entry:** Top
- Thumbscrews:** UNC 4-40 (Standard)  
M2,5 or M3 on request
- Cable O.D:** Up to 13mm
- Colour:** Black
- Accessories:** See page XXX
- Assembly Instruction:** See page XXX



Size MHDTPPK	Dim A	Dim B	Dim C
9-way	31,2	39,9	15,0
15-way	39,5	41,5	15,0
25-way	53,4	48,6	15,0
37-way	69,7	53,6	15,0

**Features:**

- Available in sizes 9-15-25-37
- Suitable for any common Sub-D connector
- Strain relief inserts ensure a secure termination
- Re-openable
- Also available in Metalized Version, See page XXX

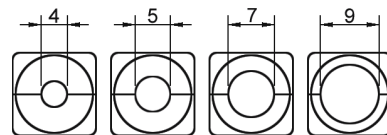
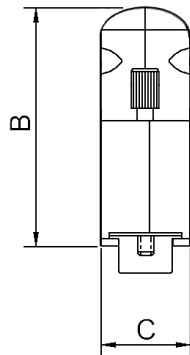
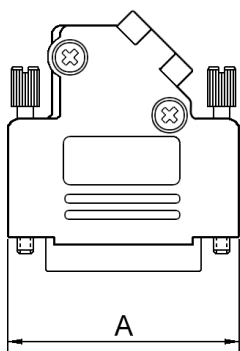
**Ordering information:**

Size:	P/N - Kitted:	Product Code:
9-way	6560-0108-01	MHDTPPK-9-BK-K
15-way	6560-0108-02	MHDTPPK-15-BK-K
25-way	6560-0108-03	MHDTPPK-25-BK-K
37-way	6560-0108-04	MHDTPPK-37-BK-K

Size:	P/N - BULK:	Product Code:
9-way	6561-0108-01	MHDTPPK-9-BK
15-way	6561-0108-02	MHDTPPK-15-BK
25-way	6561-0108-03	MHDTPPK-25-BK
37-way	6561-0108-04	MHDTPPK-37-BK

**TECHNICAL SPECIFICATIONS**

**Material:** UL 94 V-0 Plastic Material  
**Operating Temperature:** -55°C to +110°C  
**Cable Entry:** Side  
**Thumbscrews:** UNC 4-40 (Standard)  
 M2,5 or M3 on request  
**Cable O.D:** Up to 13mm  
**Colour:** Black  
**Accessories:** See page XXX  
**Assembly Instruction:** See page XXX



Size MHD45PPK	Dim A	Dim B	Dim C
9-way	31,0	36,3	15,0
15-way	39,5	40,3	15,0
25-way	53,2	40,3	15,0
37-way	69,7	40,3	15,0

**Features:**

- Available in sizes 9-15-25-37
- Suitable for any common Sub-D connector
- Strain relief inserts ensure a secure termination
- Re-openable
- Also available in Metalized Version, See page 15

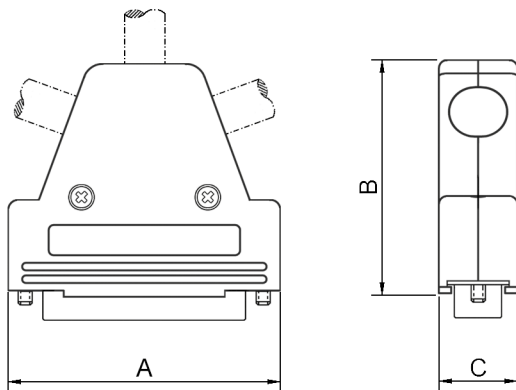
**Ordering information:**

Size:	P/N - Kitted:	Product Code:
9-way	6560-0107-11	MHD45PPK-9-BK-K
15-way	6560-0107-12	MHD45PPK-15-BK-K
25-way	6560-0107-13	MHD45PPK-25-BK-K
37-way	6560-0107-14	MHD45PPK-37-BK-K

Size:	P/N - BULK:	Product Code:
9-way	6561-0107-11	MHD45PPK-9-BK
15-way	6561-0107-12	MHD45PPK-15-BK
25-way	6561-0107-13	MHD45PPK-25-BK
37-way	6561-0107-14	MHD45PPK-37-BK

**TECHNICAL SPECIFICATIONS**

**Material:** UL 94 V-0 Plastic Material  
**Operating Temperature:** -55°C to +110°C  
**Cable Entry:** Side / Top / Side  
**Thumbscrews:** UNC 4-40 (Standard)  
 M2,5 or M3 on request  
**Cable O.D:** Up to 11,5mm  
**Colour:** Black



Size MHTRI-P	Dim A	Dim B	Dim C
9-way	31,0	45,2	15,0
15-way	40,3	45,2	15,0
25-way	53,5	45,2	15,0
37-way	70,0	45,2	15,0

**Features:**

- Available in sizes 9-15-25-37
- All sizes feature 3-Way Entry solution
- Re-openable
- Hood is supplied with 2 Blanking Plates and 2 Strain Relief Clamps. Extra Blanking Plates and/or Strain Reliefs are available on request.
- Also available in Metalized Version, See page 16

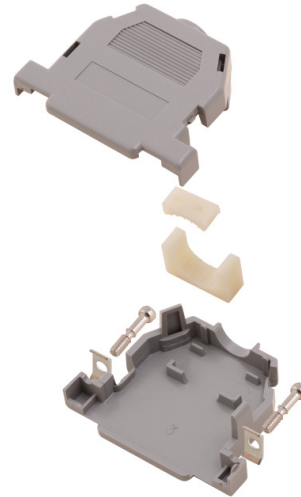
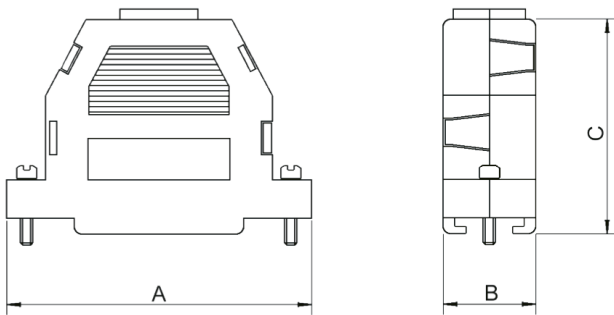
**Ordering information:**

Size:	P/N - Kitted:	Product Code:
9-way	6550-0101-01	MHTRI-P-09-K
15-way	6550-0101-02	MHTRI-P-15-K
25-way	6550-0101-03	MHTRI-P-25-K
37-way	6550-0101-04	MHTRI-P-37-K

Size:	P/N - BULK:	Product Code:
9-way	On Request	
15-way	On Request	
25-way	On Request	
37-way	On Request	

**TECHNICAL SPECIFICATIONS SN-Series**

- Material:** UL Recognised Plastic Material
- Operating Temperature:** -55°C to +110°C
- Cable Entry:** Top
- Thumbscrews:** UNC 4-40
- Cable O.D:** Up to 11,5mm
- Colour:** Black or Light Grey



Size	A	B	C
9-way	30,5	15,5	39,2
15-way	40,1	15,5	39,6
25-way	53,6	16,0	43,0

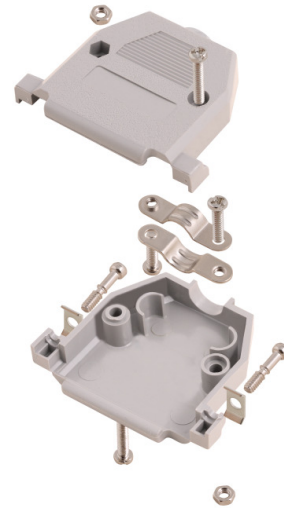
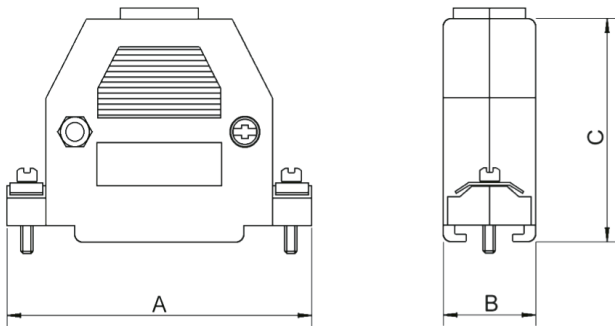
**Ordering information:**

Size:	P/N - Kitted:	Product Code BLACK:
9-way	2360-0101-01	MHCCOV-9-SN-BK
15-way	2360-0101-02	MHCCOV-15-SN-BK
25-way	2360-0101-03	MHCCOV-25-SN-BK

Size:	P/N - BULK:	Product Code LIGHT GREY
9-way	2360-0101-11	MHCCOV-9-SN-LG
15-way	2360-0101-12	MHCCOV-15-SN-LG
25-way	2360-0101-13	MHCCOV-25-SN-LG

**TECHNICAL SPECIFICATIONS SC-Series**

- Material:** UL Recognised Plastic Material
- Operating Temperature:** -55°C to +110°C
- Cable Entry:** Top
- Thumbscrews:** UNC 4-40t
- Cable O.D:** Up to 11,5mm
- Colour:** Black or Light Grey



Size	A	B	C
9-way	31,0	16,0	40,2
15-way	39,6	17,4	38,0
25-way	55,0	16,5	44,5
37-way	69,0	24,0	52,5
50-way	69,5	19,5	44,5

**Ordering information - SHORT Jackscrews:**

Size:	P/N - Kitted:	Product Code BLACK:
9-way	2360-0102-01	MHCCOV-9-SC-BK
15-way	2360-0102-02	MHCCOV-15-SC-BK
25-way	2360-0102-03	MHCCOV-25-SC-BK
37-way	2360-0102-04	MHCCOV-37-SC-BK
50-way	2360-0102-05	MHCCOV-50-SC-BK

Size:	P/N - BULK:	Product Code LIGHT GREY:
9-way	2360-0102-11	
15-way	2360-0102-12	
25-way	2360-0102-13	
37-way	2360-0102-14	
50-way	2360-0102-15	

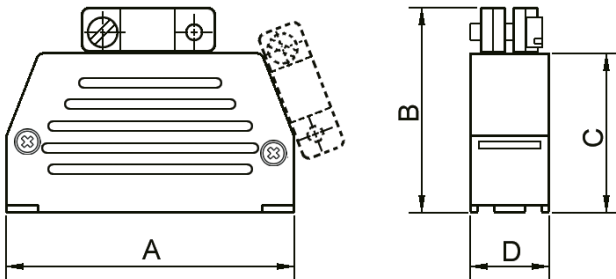
**Ordering information - LONG Jackscrews:**

Size:	P/N - Kitted:	Product Code BLACK:
9-way	2360-0102-21	MHCCOV-9-SCL-BK
15-way	2360-0102-22	MHCCOV-15-SCL-BK
25-way	2360-0102-23	MHCCOV-25-SCL-BK
37-way	2360-0102-24	MHCCOV-37-SCL-BK
50-way	2360-0102-25	MHCCOV-50-SCL-BK

Size:	P/N - BULK:	Product Code LIGHT GREY:
9-way	2360-0102-31	
15-way	2360-0102-32	
25-way	2360-0102-33	
37-way	2360-0102-34	
50-way	2360-0102-35	

**TECHNICAL SPECIFICATIONS**

**Material:** UL 94 V-0 Plastic Material  
**Operating Temperature:** -55°C to +110°C  
**Cable Entry:** Top + Side Entry  
**Cable O.D:** Up to 9mm  
**Colour:** Black



**Features:**

- Suitable for sizes 9, 15, 25, 37 and 50-way
- Easy to re-open
- Slide-Lock system integrated inside hood with special spring and slide lever
- Hoods are supplied complete with Slide-Lock system
- Slide-Lock and Spring Lever also available as accessories - Please see page XXX
- Hood without Slide-Lock delivered on request
- Metalized version available on special request

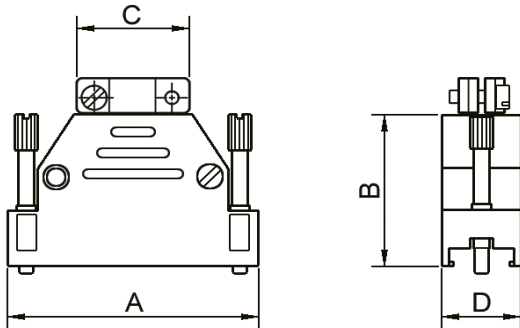
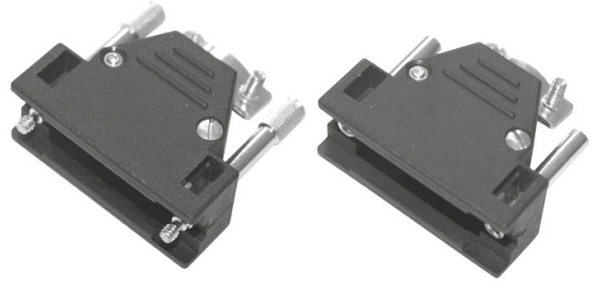
Size	A	B	C	D
9	32,2	28,6	22,1	15,0
15	39,8	34,1	26,1	15,0
25	54,2	38,3	30,3	15,0
37	70,7	46,2	38,2	15,0
50	68,0	46,2	38,2	18,0

**Ordering information: Hood with Slide-Locks**

Size:	P/N - Kitted:	Product Code:
9-way	2801-0101-01	MHED-DS09S-K
15-way	2801-0101-02	MHED-DS15S-K
25-way	2801-0101-03	MHED-DS25S-K
37-way	2801-0101-04	MHED-DS37S-K
50-way	2801-0101-05	MHED-DS50S-K

**TECHNICAL SPECIFICATIONS**

**Material:** UL 94 V-0 Plastic Material  
**Operating Temperature:** -55°C to +110°C  
**Cable Entry:** Top Entry  
**Cable O.D:** Up to 9mm  
**Colour:** Black  
**Jackscrew:** UNC 4-40  
 Male or Female Version



**Features:**

- Suitable for sizes 9, 15, 25 and 37
- Easy to re-open
- Male or female Jackscrew

Size	A	B	C	D	E
9	31,4	24,0	14,5	38,0	18,2
15	42,0	30,0	14,5	38,0	18,2
25	55,5	36,0	25,1	38,0	18,2
37	69,8	38,0	39,2	38,0	18,2

**Ordering information: Male Jackscrew**

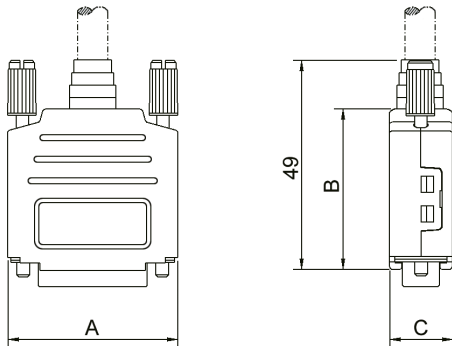
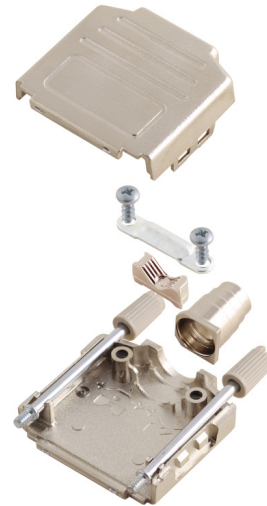
Size:	P/N - Kitted:	Product Code:
9-way, Male JS	2801-0102-01	MHED-D09T-K
15-way, Male JS	2801-0102-02	MHED-D15T-K
25-way, Male JS	2801-0102-03	MHED-D25T-K
37-way, Male JS	2801-0102-04	MHED-D37T-K

**Ordering information: Female Jackscrew**

Size:	P/N - Kitted:	Product Code:
9-way, Female JS	2801-0102-11	MHED-D09TF-K
15-way, Female JS	2801-0102-12	MHED-D15TF-K
25-way, Female JS	2801-0102-13	MHED-D25TF-K
37-way, Female JS	2801-0102-14	MHED-D37TF-K

## TECHNICAL SPECIFICATIONS

<b>Material:</b>	UL 94 V-0 Plastic Material
<b>Operating Temperature:</b>	-55°C to +110°C
<b>Cable Entry:</b>	Top Entry
<b>Thumbscrews:</b>	UNC 4-40 (Standard) M2,5 or M3 on request
<b>Cable O.D:</b>	Up to 11,5mm
<b>Screening Test:</b>	See page XXX
<b>Accessories:</b>	See page XXX
<b>Assembly Instruction:</b>	See page XXX



Size	Dim A	Dim B	Dim C
9-way	32,5	38,0	15,0
15-way	41,0	38,0	15,0
25-way	54,5	40,0	15,0
37-way	71,0	40,0	15,0

### Features:

- Available in sizes 9, 15, 25 and 37-way
- Suitable for any common Sub-D Connector
- Quick-Snap locking system
- Re-openable
- Company logo available upon request
- Also available in Unshielded Version, See page 4-5
- Recyclable

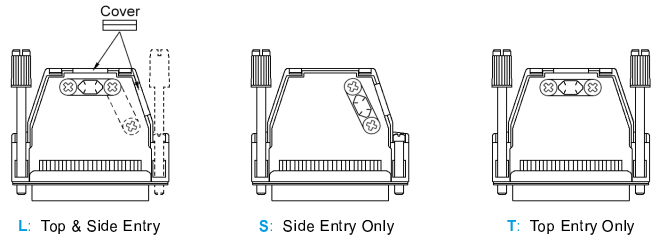
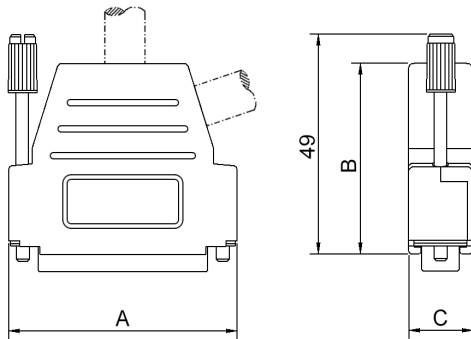
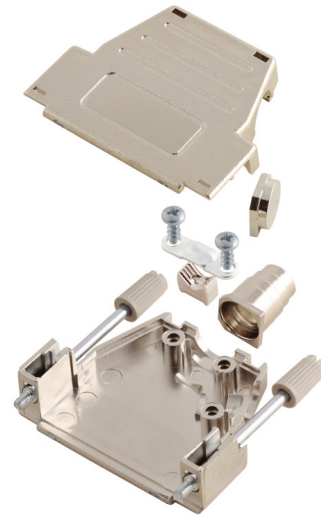
### Ordering information:

Size:	P/N - Kitted:	Product Code:
9-way	6260-0105-01	MHDPPK-M-09-K
15-way	6260-0105-02	MHDPPK-M-15-K
25-way	6260-0105-03	MHDPPK-M-25-K
37-way	6260-0105-04	MHDPPK-M-37-K

Size:	P/N - BULK:	Product Code:
9-way	6261-0105-01	MHDPPK-M-09
15-way	6261-0105-02	MHDPPK-M-15
25-way	6261-0105-03	MHDPPK-M-25
37-way	6261-0105-04	MHDPPK-M-37

## TECHNICAL SPECIFICATIONS

<b>Material:</b>	UL 94 V-0 Plastic Material
<b>Operating Temperature:</b>	-55°C to +110°C
<b>Cable Entry:</b>	Side and Top Side Only Top Only
<b>Thumbscrews:</b>	UNC 4-40 (Standard) M2,5 or M3 on request
<b>Cable O.D:</b>	Up to 11,5mm
<b>Screening Test:</b>	See page XXX
<b>Accessories:</b>	See page XXX
<b>Assembly Instruction:</b>	See page XXX



Size DSSK-T/P	Dim A	Dim B	Dim B	DimC
9-way	31,5	40,0	43,0*	15,0
15-way	40,0	40,0	-	15,0
25-way	53,5	43,0	-	15,0
37-way	71,3	40,0	-	15,0

\* Top only

### Features:

- Available in sizes 9-15-25-37
- Suitable for any common Sub-D connector
- Quick-snap locking system
- Re-openable
- Company logo available upon request
- Also available in Plastic Version, See page 6
- Recyclable

### Ordering information:

Size:	P/N - Kitted:	Product Code:	L
9-way	6260-0106-01	MHDSSK-M-09-L-K	
15-way	6260-0106-02	MHDSSK-M-15-L-K	
25-way	6260-0106-03	MHDSSK-M-25-L-K	

Size:	P/N - BULK:	Product Code:	L
9-way	6261-0106-01	MHDSSK-M-09-L	
15-way	6261-0106-02	MHDSSK-M-15-L	
25-way	6261-0106-03	MHDSSK-M-25-L	

Size:	P/N - Kitted:	Product Code:	S
9-way	6260-0106-11	MHDSSK-M-09-S-K	
15-way	6260-0106-12	MHDSSK-M-15-S-K	
25-way	6260-0106-13	MHDSSK-M-25-S-K	
37-way	6260-0106-14	MHDSSK-M-37-S-K	

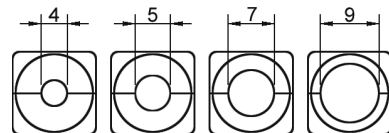
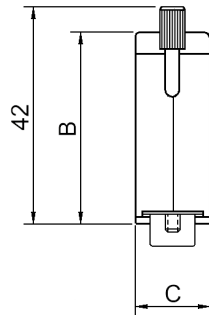
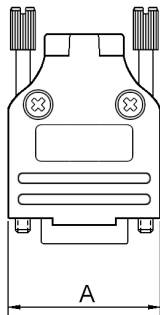
Size:	P/N - BULK:	Product Code:	S
9-way	6261-0106-11	MHDSSK-M-09-S	
15-way	6261-0106-12	MHDSSK-M-15-S	
25-way	6261-0106-13	MHDSSK-M-25-S	
37-way	6261-0106-14	MHDSSK-M-37-S	

Size:	P/N - Kitted:	Product Code:	T
9-way	6260-0106-21	MHDSSK-M-09-T-K	
15-way	6260-0106-22	MHDSSK-M-15-T-K	
25-way	6260-0106-23	MHDSSK-M-25-T-K	

Size:	P/N - BULK:	Product Code:	T
9-way	6261-0106-21	MHDSSK-M-09-T	
15-way	6261-0106-22	MHDSSK-M-15-T	
25-way	6261-0106-23	MHDSSK-M-25-T	

## TECHNICAL SPECIFICATIONS

<b>Material:</b>	UL 94 V-0 Plastic Material
<b>Operating Temperature:</b>	-55°C to +110°C
<b>Cable Entry:</b>	Top Entry
<b>Thumbscrews:</b>	UNC 4-40 (Standard) M2,5 or M3 on request
<b>Cable O.D:</b>	Up to 13mm
<b>Screening Test:</b>	See page XXX
<b>Accessories:</b>	See page XXX
<b>Assembly Instruction:</b>	See page XXX



Size MHDTPK	Dim A	Dim B	Dim C
9-way	31,2	39,9	15,0
15-way	39,5	41,5	15,0
25-way	53,4	48,6	15,0
37-way	69,7	53,6	15,0

### Features:

- Available in sizes 9-15-25-37
- Suitable for any common Sub-D Connector
- Strain relief inserts ensure a secure termination
- Re-openable
- Company logo available upon request
- Also available in Unshielded Version, See page 7
- Recyclable

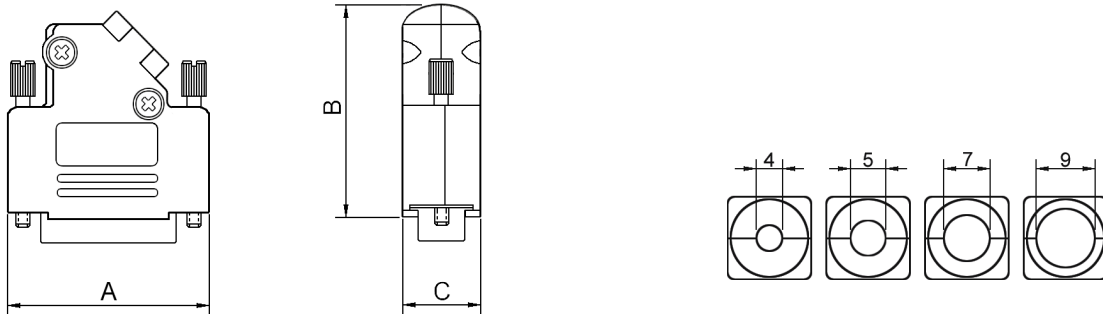
### Ordering information:

Size:	P/N - Kitted:	Product Code:
9-way	6560-0145-01	MHDTPK-9-K
15-way	6560-0145-02	MHDTPK-15-K
25-way	6560-0145-03	MHDTPK-25-K
37-way	6560-0145-04	MHDTPK-37-K

Size:	P/N - BULK:	Product Code:
9-way	6561-0145-01	MHDTPK-9
15-way	6561-0145-02	MHDTPK-15
25-way	6561-0145-03	MHDTPK-25
37-way	6561-0145-04	MHDTPK-37

**TECHNICAL SPECIFICATIONS**

- Material:** UL 94 V-0 Plastic Material
- Operating Temperature:** -55°C to +110°C
- Cable Entry:** Side Entry
- Thumbscrews:** UNC 4-40 (Standard)  
M2,5 or M3 on request
- Cable O.D:** Up to 13mm
- Screening Test:** See page XXX
- Accessories:** See page XXX
- Assembly Instruction:** See page XXX



Size MHD45PK	Dim A	Dim B	Dim C
9-way	15,0	36,3	31,0
15-way	15,0	40,3	39,5
25-way	15,0	40,3	53,2
37-way	15,0	40,3	69,7

**Features:**

- Available in sizes 9-15-25-37
- Suitable for any common Sub-D Connector
- Strain relief inserts ensure a secure termination
- Re-openable
- Company logo available upon request
- Also available in Unshielded Version, See page 8
- Recyclable

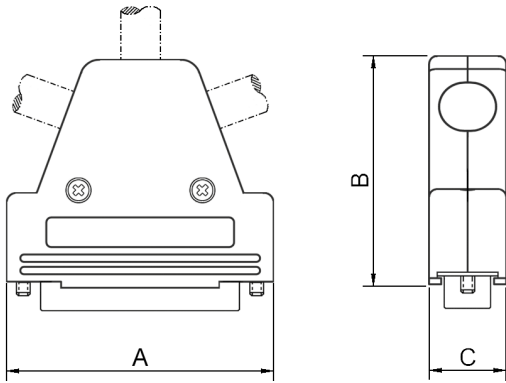
**Ordering information:**

Size:	P/N - Kitted:	Product Code:
9-way	6560-0146-11	MHD45PK-9-K
15-way	6560-0146-12	MHD45PK-15-K
25-way	6560-0146-13	MHD45PK-25-K
37-way	6560-0146-14	MHD45PK-37-K

Size:	P/N - BULK:	Product Code:
9-way	6561-0146-11	MHD45PK-9
15-way	6561-0146-12	MHD45PK-15
25-way	6561-0146-13	MHD45PK-25
37-way	6561-0146-14	MHD45PK-37

## TECHNICAL SPECIFICATIONS

<b>Material:</b>	UL 94 V-0 Plastic Material
<b>Operating Temperature:</b>	-55°C to +110°C
<b>Cable Entry:</b>	Top Entry
<b>Thumbscrews:</b>	UNC 4-40 (Standard) M2,5 or M3 on request
<b>Cable O.D.:</b>	Up to 13mm
<b>Accessories:</b>	See page XXX
<b>Assembly Instruction:</b>	See page XXX



Size MHTRI-M	Dim A	Dim B	Dim C
9-way	31,0	45,2	15,0
15-way	40,3	45,2	15,0
25-way	53,5	45,2	15,0
37-way	70,0	45,2	15,0

## Ordering information:

Size:	P/N - Kitted:	Product Code:
9-way	6550-0100-01	MHTRI-M-09-K
15-way	6550-0100-02	MHTRI-M-15-K
25-way	6550-0100-03	MHTRI-M-25-K
37-way	6550-0100-04	MHTRI-M-37-K

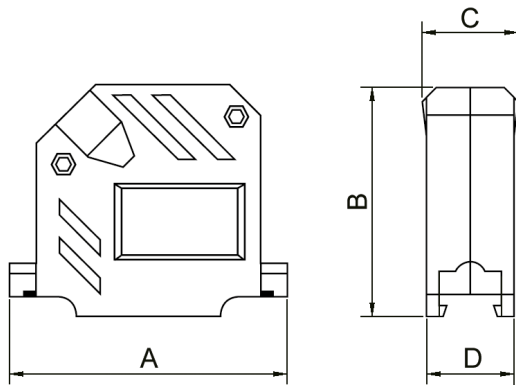
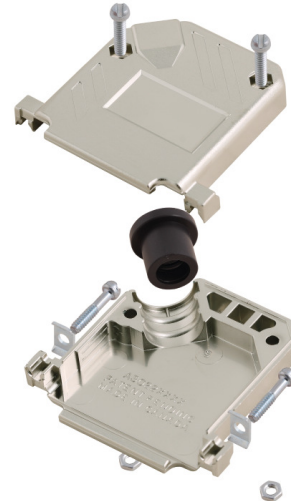
## Features:

- Available in sizes 9-15-25-37
- All sizes feature 3-Way Entry solution
- Re-openable
- Hood is supplied with 2 Blanking Plates and 2 Strain Relief clamps. Extra Blanking Plates and/or Strain Reliefs are available on request.
- Also available in Unshielded Version, See page XXX

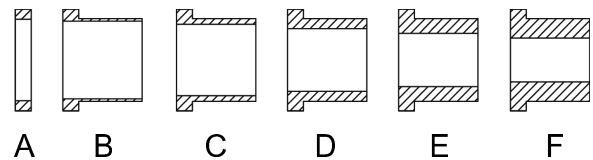
## TECHNICAL SPECIFICATIONS

<b>Material:</b>	UL 94 V-0 Plastic Material
<b>Operating Temperature:</b>	-40°C to +120°C
<b>Cable Entry:</b>	Side Entry
<b>Thumbscrews:</b>	UNC 4-40
<b>Cable O.D:</b>	Up to 16,5mm*

\* For specific values - see dimensions below.



### Compression Inserts - Inner Diameters:



Size	Dim A	Dim B	Dim C	Dim D
9-way	31,3	40,0	16,3	16,3
15-way	39,1	43,5	16,3	16,3
25-way	53,1	47,7	18,0	16,3
37-way	69,3	53,9	23,0	16,3

Size	A	B	C	D	E	F
9-way	8,10	8,00	7,25	6,50	5,30	-
15-way	8,10	8,00	7,25	6,50	5,30	-
25-way	11,40	10,40	9,40	7,60	5,80	-
37-way	16,50	15,75	14,50	12,70	10,80	8,90

### Ordering information:

Size:	P/N - Kitted:	Product Code:	45° SIDE
9-way	1060-0106-11	MHC88E200000	
15-way	1060-0106-12	MHC88E210000	
25-way	1060-0106-13	MHC88E220000	
37-way	1060-0106-14	MHC88E230000	

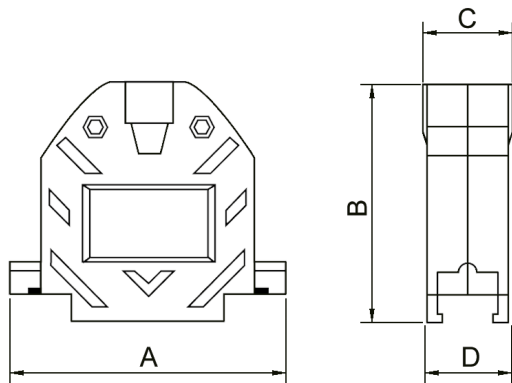
### Features:

- Available in sizes 9-15-25-37
- Re-openable
- Strain Relief / Compression Insert manufactured in Thermoplastic compound.
- Also available in Top Entry, See page XXX

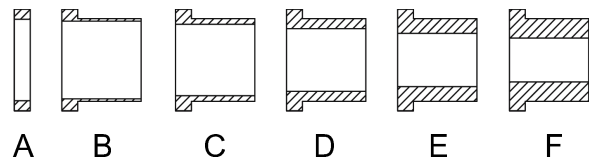
## TECHNICAL SPECIFICATIONS

<b>Material:</b>	UL recognised ABS Plastic
<b>Operating Temperature:</b>	-40°C to +120°C
<b>Cable Entry:</b>	Top Entry
<b>Thumbscrews:</b>	UNC 4-40
<b>Cable O.D.:</b>	Up to 16,5mm*

\* For specific values - see dimensions below.



### Compression Inserts - Inner Diameters:



Size	Dim A	Dim B	Dim C	Dim D
9-way	31,3	40,0	16,3	16,3
15-way	39,1	43,5	16,3	16,3
25-way	53,1	47,7	18,0	16,3
37-way	69,3	53,9	23,0	16,3
50-way	67,2	50,8	23,9	19,6

Size	A	B	C	D	E	F
9-way	8,10	8,00	7,25	6,50	5,30	-
15-way	8,10	8,00	7,25	6,50	5,30	-
25-way	11,40	10,40	9,40	7,60	5,80	-
37-way	16,50	15,75	14,50	12,70	10,80	8,90
50-way	16,50	15,75	14,50	12,70	10,80	8,90

### Ordering information:

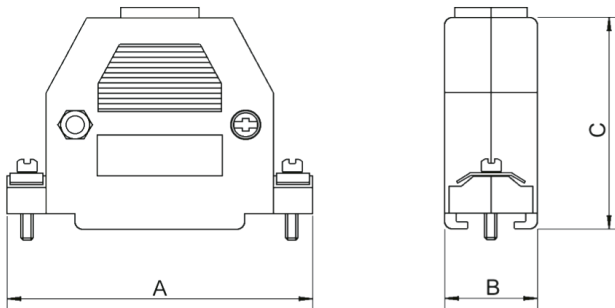
Size:	P/N - Kitted:	Product Code:	TOP
9-way	1060-0105-01	MHC88E300000	
15-way	1060-0105-02	MHC88E310000	
25-way	1060-0105-03	MHC88E320000	
37-way	1060-0105-04	MHC88E330000	
50-way	1060-0105-05	MHC88E340000	

### Features:

- Available in sizes 9-15-25-37-50
- Re-openable
- Strain Relief / Compression Insert manufactured in Thermoplastic compound.
- Also available in Side Entry, See page XXX

## TECHNICAL SPECIFICATIONS

<b>Material:</b>	UL recognised Plastic Material
<b>Operating Temperature:</b>	-40°C to +120°C
<b>Cable Entry:</b>	Top Entry
<b>Thumbscrews:</b>	UNC 4-40 (Short)
<b>Cable O.D:</b>	Up to 13mm



Size	Dim A	Dim B	Dim C
9-way	31,0	16,0	40,2
15-way	39,6	17,4	38,0
25-way	55,0	16,5	44,5
37-way	69,0	24,0	52,5
50-way	69,5	19,5	44,5

### Features:

- Available in sizes 9-15-25-37-50
- Re-openable
- Also available in Unshielded version, See page XXX

### Ordering information: *Short Jackscrews*

Size:	P/N - Kitted:	Product Code:
9-way	2360-0105-01	MHCCOV 9-SC-MP
15-way	2360-0105-02	MHCCOV15-SC-MP
25-way	2360-0105-03	MHCCOV25-SC-MP
37-way	2360-0105-04	MHCCOV37-SC-MP
50-way	2360-0105-05	MHCCOV50-SC-MP

### *Long Jackscrews*

Size:	P/N - Kitted:	Product Code:
9-way	2360-0105-11	MHCCOV 9-SCL-MP
15-way	2360-0105-12	MHCCOV15-SCL-MP
25-way	2360-0105-13	MHCCOV25-SCL-MP
37-way	2360-0105-14	MHCCOV37-SCL-MP
50-way	2360-0105-15	MHCCOV50-SCL-MP

## TECHNICAL SPECIFICATIONS

<b>Material:</b>	Zinc, Nickel Plated
<b>Operating Temperature:</b>	-40°C to +120°C
<b>Cable Entry:</b>	Top Entry
<b>Thumbscrews:</b>	UNC 4-40 (Standard) M2,5 or M3 on request
<b>Cable O.D:</b>	Up to 13mm
<b>Screening Test:</b>	See page XXX
<b>Accessories:</b>	See page XXX
<b>Assembly Instruction:</b>	See page XXX

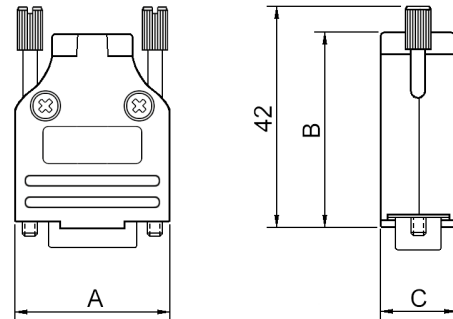


### Features:

- Available in sizes 9-15-25-37
- 360° EMI Shielding
- 3 versions of same concept
- Quick assembly
- Supports all types of cables
- Suitable for any common D-Sub connector

### Types available:

- MHC: Crimp Version
- MHDM: Metalized Grommet Kit + Clamp
- MHEE: Metalized Cone + Clamp



Size:	Dim A	Dim B	Dim C
9-way	32,2	41,3	15,4
15-way	40,6	43,3	15,4
25-way	54,5	49,5	15,4
37-way	70,7	54,3	15,4

## Ordering information:

Size:	P/N - Kitted:	Product Code:
9-way	6560-0135-01	MHC-9-K
15-way	6560-0135-02	MHC-15-K
25-way	6560-0135-03	MHC-25-K
37-way	6560-0135-04	MHC-37-K

Size:	P/N - Kitted:	Product Code:
9-way	6560-0136-01	MHDM-9-K
15-way	6560-0136-02	MHDM-15-K
25-way	6560-0136-03	MHDM-25-K
37-way	6560-0136-04	MHDM-37-K

Size:	P/N - Kitted:	Product Code:
9-way	6560-0137-01	MHEE-9-K
15-way	6560-0137-02	MHEE-15-K
25-way	6560-0137-03	MHEE-25-K
37-way	6560-0137-04	MHEE-37-K

### MHC-Series



Size:	P/N:	Product Code:
5,3mm	6522-0119-11	MHC-5,3
6,0mm	6522-0119-12	MHC-6,0
7,0mm	6522-0119-13	MHC-7,0
7,5mm	6522-0119-14	MHC-7,5
8,6mm	6522-0119-15	MHC-8,6

### MHDM-Series



Included when ordering

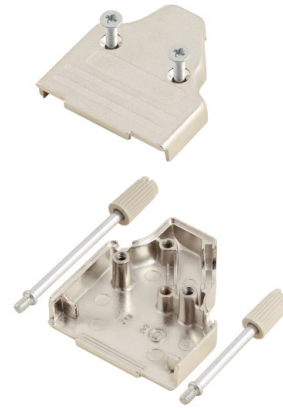
### MHEE-Series



Included when ordering

## TECHNICAL SPECIFICATIONS

- Material:** Zinc, Nickel Plated
- Operating Temperature:** -40°C to +120°C
- Cable Entry:** Side Entry
- Thumbscrews:** UNC 4-40 (Standard)  
M2,5 or M3 on request
- Cable O.D:** Up to 13mm
- Screening Test:** See page XXX
- Accessories:** See page XXX
- Assembly Instruction:** See page XXX

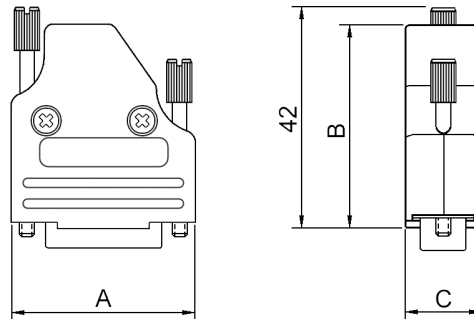


### Features:

- Available in sizes 9-15-25-37
- 360° EMI Shielding
- 3 versions of same concept
- Quick assembly
- Supports all types of cables
- Suitable for any common D-Sub connector

### Types available:

- MHC35: Crimp Version
- MHDM35: Metalized Grommet Kit + Clamp
- MHEE35: Metalized Cone + Clamp



Size:	Dim A	Dim B	Dim C
9-way	43,0	32,0	15,5
15-way	43,0	40,4	15,5
25-way	48,0	54,0	15,5
37-way	53,0	70,5	15,5

## Ordering information:

Size:	P/N - Kitted:	Product Code:
9-way	6560-0138-11	MHC35-9-K
15-way	6560-0138-12	MHC35-15-K
25-way	6560-0138-13	MHC35-25-K
37-way	6560-0138-14	MHC35-37-K

Size:	P/N - Kitted:	Product Code:
9-way	6560-0139-11	MHDM35-9-K
15-way	6560-0139-12	MHDM35-15-K
25-way	6560-0139-13	MHDM35-25-K
37-way	6560-0139-14	MHDM35-37-K

Size:	P/N - Kitted:	Product Code:
9-way	6560-0140-11	MHEE35-9-K
15-way	6560-0140-12	MHEE35-15-K
25-way	6560-0140-13	MHEE35-25-K
37-way	6560-0140-14	MHEE35-37-K

### MHC35-Series



Size:	P/N:	Product Code:
5,3mm	6522-0119-11	MHC-5,3
6,0mm	6522-0119-12	MHC-6,0
7,0mm	6522-0119-13	MHC-7,0
7,5mm	6522-0119-14	MHC-7,5
8,6mm	6522-0119-15	MHC-8,6

### MHDM35-Series



Included when ordering

### MHEE35-Series



Included when ordering

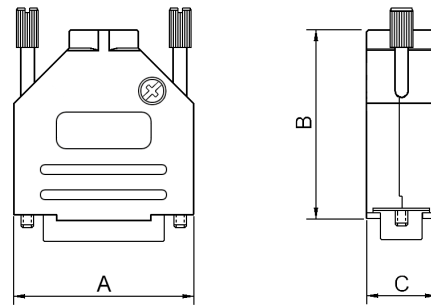
## TECHNICAL SPECIFICATIONS

<b>Material:</b>	Zinc, Nickel Plated
<b>Operating Temperature:</b>	-40°C to +120°C
<b>Cable Entry:</b>	Top Entry
<b>Thumbscrews:</b>	UNC 4-40 (Standard) M2,5 or M3 on request
<b>Cable O.D.:</b>	Up to 13mm (Size 9-37) Up to 17mm (Size 50)
<b>Screening Test:</b>	See page XXX
<b>Accessories:</b>	See page XXX
<b>Assembly Instruction:</b>	See page XXX



### Features:

- Available in sizes 9-15-25-37-50\*
- Excellent EMI Shielding
- Re-openable
- Strain relief inserts ensure a secure termination
- Full Metal Jackscrew as standard.
- Metalized (RAHI) grommets on request. see page XXX
- Full Metal Jackscrew as standard.

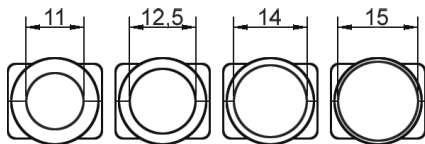


NEW: Size 50 now available

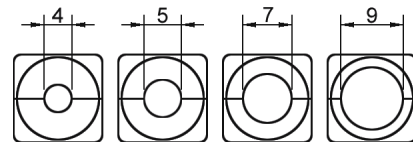


Size MHDTZK	Dim A	Dim B	Dim C
9-way	31,0	39,5	15,0
15-way	39,5	41,5	15,0
25-way	53,5	48,5	15,0
37-way	71,0	53,0	15,0
50-way	67,5	54,0	18,7

Grommet Sizes / DTZK50:



Grommet Sizes / DTZK09-37:



### Ordering information:

Size:	P/N - Kitted:	Product Code:
9-way	6560-0105-01	MHDTZK-N-09-RA-K
15-way	6560-0105-02	MHDTZK-N-15-RA-K
25-way	6560-0105-03	MHDTZK-N-25-RA-K
37-way	6560-0105-04	MHDTZK-N-37-RA-K
50-way	6560-0105-05	MHDTZK-N-50-RA-K

Size:	P/N - BULK:	Product Code:
9-way	6561-0105-01	MHDTZK-N-09-RA
15-way	6561-0105-02	MHDTZK-N-15-RA
25-way	6561-0105-03	MHDTZK-N-25-RA
37-way	6561-0105-04	MHDTZK-N-37-RA
50-way	6561-0105-05	MHDTZK-N-50-RA

## TECHNICAL SPECIFICATIONS

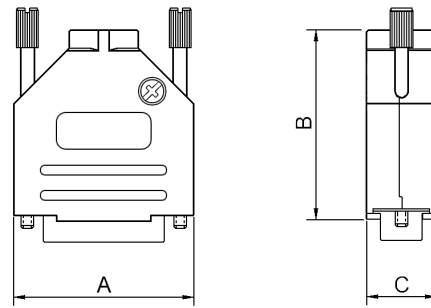
- Material:** Zinc, Nickel Plated
- Operating Temperature:** -40°C to +120°C
- Cable Entry:** Top Entry
- Thumbscrews:** UNC 4-40 (Standard)  
M2,5 or M3 on request
- Cable O.D:** Up to 13mm  
Up to 17mm (Size 50)
- Screening Test:** See page XXX
- Accessories:** See page XXX
- Assembly Instruction:** See page XXX



### Features:

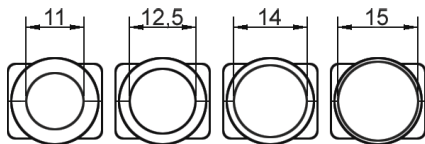
- Available in sizes 9-15-25-37-50\*
- Excellent EMI Shielding
- Re-openable
- Strain relief inserts ensure a secure termination
- Jackscrew with Black Plastic Knob as standard. Grey Plastic Knob available on Request.
- Metalized (RAHI) grommets on request. see page XXX

**NEW: Size 50 now available**

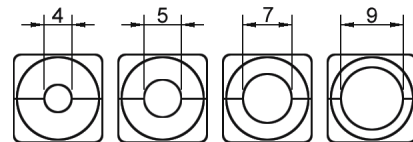


Size MHDTZK	Dim A	Dim B	Dim C
9-way	31,0	39,5	15,0
15-way	39,5	41,5	15,0
25-way	53,5	48,5	15,0
37-way	71,0	53,0	15,0
50-way	67,5	54,0	18,7

### Grommet Sizes / DTZK50:



### Grommet Sizes / DTZK09-37:



### Ordering information:

Size:	P/N - Kitted:	Product Code:
9-way	6560-3105-01	MHDTZK-N-09-RA-PCBK-K
15-way	6560-3105-02	MHDTZK-N-15-RA-PCBK-K
25-way	6560-3105-03	MHDTZK-N-25-RA-PCBK-K
37-way	6560-3105-04	MHDTZK-N-37-RA-PCBK-K
50-way	6560-3105-05	MHDTZK-N-50-RA-PCBK-K

Size:	P/N - BULK:	Product Code:
9-way	6561-3105-01	MHDTZK-N-09-RA-PCBK
15-way	6561-3105-02	MHDTZK-N-15-RA-PCBK
25-way	6561-3105-03	MHDTZK-N-25-RA-PCBK
37-way	6561-3105-04	MHDTZK-N-37-RA-PCBK
50-way	6561-3105-05	MHDTZK-N-50-RA-PCBK

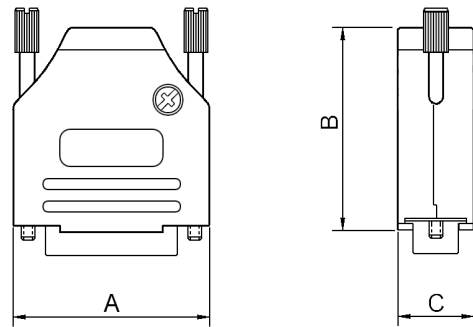
**TECHNICAL SPECIFICATIONS**

- Material:** Zinc, Nickel Plated
- Operating Temperature:** -40°C to +120°C
- Cable Entry:** Top Entry
- Thumbscrews:** UNC 4-40 (Standard)  
M2,5 or M3 on request
- Cable O.D:** Up to 13mm
- Screening Test:** See page XXX
- Accessories:** See page XXX
- Assembly Instruction:** See page XXX

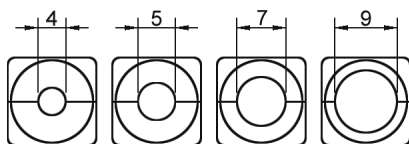


**Features:**

- Available in sizes 9-15-25-37
- Excellent EMI Shielding
- Re-openable
- Strain relief inserts ensure a secure termination
- Full Metal Jackscrew as standard
- Also available in Standard Assembly - See page XXX



Grommet Sizes / DTZK09-37:



Size MHDTZK	Dim A	Dim B	Dim C
9-way	31,2	39,9	15,0
15-way	39,5	41,5	15,0
25-way	53,4	48,6	15,0
37-way	69,7	53,6	15,0

**Ordering information:**

Size:	P/N - Kitted:	Product Code:
9-way	6560-0605-01	MHDTZK-9-RA-K
15-way	6560-0605-02	MHDTZK-15-RA-K
25-way	6560-0605-03	MHDTZK-25-RA-K
37-way	6560-0605-04	MHDTZK-37-RA-K

Size:	P/N - BULK:	Product Code:
9-way	6561-0605-01	MHDTZK-9-RA
15-way	6561-0605-02	MHDTZK-15-RA
25-way	6561-0605-03	MHDTZK-25-RA
37-way	6561-0605-04	MHDTZK-37-RA

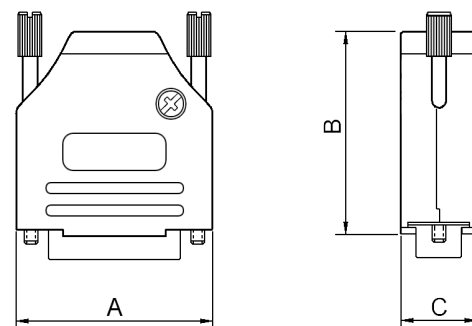
## TECHNICAL SPECIFICATIONS

- Material:** Zinc, Nickel Plated
- Operating Temperature:** -40°C to +120°C
- Cable Entry:** Top Entry
- Thumbscrews:** UNC 4-40 (Standard)  
M2,5 or M3 on request
- Cable O.D:** Up to 13mm
- Screening Test:** See page XXX
- Accessories:** See page XXX
- Assembly Instruction:** See page XXX



### Features:

- Available in sizes 9-15-25-37
- Excellent EMI Shielding
- Re-openable
- Strain relief inserts ensure a secure termination
- Full Metal Jackscrew as standard
- Also available in Rapid Assembly - See page XXX



Grommet Sizes / DTZK09-37:

Size MHDTZK	Dim A	Dim B	Dim C
9-way	31,2	39,9	15,0
15-way	39,5	41,5	15,0
25-way	53,4	48,6	15,0
37-way	69,7	53,6	15,0

## Ordering information:

Size:	P/N - Kitted:	Product Code:
9-way	6560-0805-01	MHDTZK-9-K
15-way	6560-0805-02	MHDTZK-15-K
25-way	6560-0805-03	MHDTZK-25-K
37-way	6560-0805-04	MHDTZK-37-K

Size:	P/N - BULK:	Product Code:
9-way	6561-0805-01	MHDTZK-9
15-way	6561-0805-02	MHDTZK-15
25-way	6561-0805-03	MHDTZK-25
37-way	6561-0805-04	MHDTZK-37

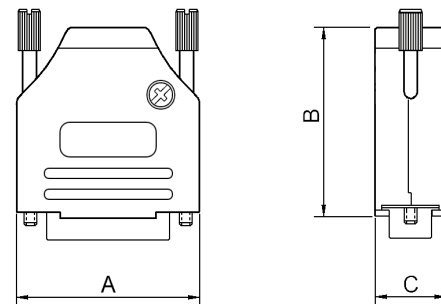
## TECHNICAL SPECIFICATIONS

<b>Material:</b>	Zinc, Black
<b>Operating Temperature:</b>	-40°C to +120°C
<b>Cable Entry:</b>	Top Entry
<b>Thumbscrews:</b>	UNC 4-40 (Standard) M2,5 or M3 on request
<b>Cable O.D:</b>	Up to 13mm
<b>Screening Test:</b>	See page XXX
<b>Accessories:</b>	See page XXX
<b>Assembly Instruction:</b>	See page XXX

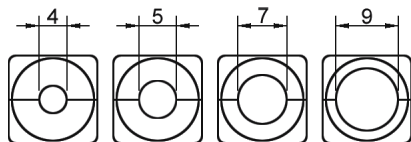


### Features:

- Available in sizes 9-15-25-37
- Excellent EMI Shielding
- Re-openable
- Strain relief inserts ensure a secure termination
- Full Metal Jackscrew as standard
- Plastic Cap Jackscrew on request



Grommet Sizes / DTZK09-37:



Size MHDTZK	Dim A	Dim B	Dim C
9-way	31,2	39,9	15,0
15-way	39,5	41,5	15,0
25-way	53,4	48,6	15,0
37-way	69,7	53,6	15,0

### Ordering information:

*Rapid Assembly (RA) Style*

Size:	P/N - Kitted:	Product Code:
9-way	6560-0115-01	MHDTZK-9-RA-BK-K
15-way	6560-0115-02	MHDTZK-15-RA-BK-K
25-way	6560-0115-03	MHDTZK-25-RA-BK-K
37-way	6560-0115-04	MHDTZK-37-RA-BK-K

Size:	P/N - BULK:	Product Code:
9-way	6561-0115-01	MHDTZK-9-RA-BK
15-way	6561-0115-02	MHDTZK-15-RA-BK
25-way	6561-0115-03	MHDTZK-25-RA-BK
37-way	6561-0115-04	MHDTZK-37-RA-BK

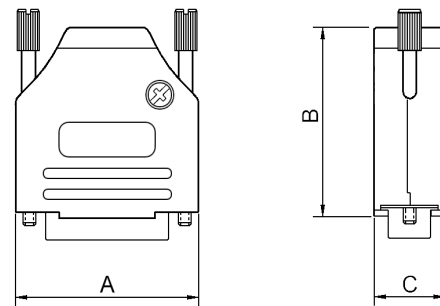
## TECHNICAL SPECIFICATIONS

- Material:** Zinc, Black
- Operating Temperature:** -40°C to +120°C
- Cable Entry:** Top Entry
- Thumbscrews:** UNC 4-40 (Standard)  
M2,5 or M3 on request
- Cable O.D:** Up to 13mm
- Screening Test:** See page XXX
- Accessories:** See page XXX
- Assembly Instruction:** See page XXX

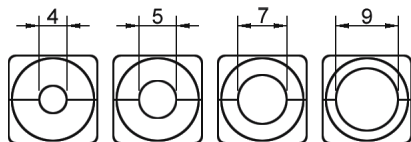


### Features:

- Available in sizes 9-15-25-37
- Excellent EMI Shielding
- Re-openable
- Strain relief inserts ensure a secure termination
- Full Metal Jackscrew as standard
- Plastic Cap Jackscrew on request



Grommet Sizes / DTZK09-37:



Size MHDTZK	Dim A	Dim B	Dim C
9-way	31,2	39,9	15,0
15-way	39,5	41,5	15,0
25-way	53,4	48,6	15,0
37-way	69,7	53,6	15,0

### Ordering information:

*Standard Assembly (C-Clip) Style*

Size:	P/N - Kitted:	Product Code:
9-way	6560-0815-01	MHDTZK-9-BK-K
15-way	6560-0815-02	MHDTZK-15-BK-K
25-way	6560-0815-03	MHDTZK-25-BK-K
37-way	6560-0815-04	MHDTZK-37-BK-K

Size:	P/N - BULK:	Product Code:
9-way	6561-0815-01	MHDTZK-9-BK
15-way	6561-0815-02	MHDTZK-15-BK
25-way	6561-0815-03	MHDTZK-25-BK
37-way	6561-0815-04	MHDTZK-37-BK

## TECHNICAL SPECIFICATIONS

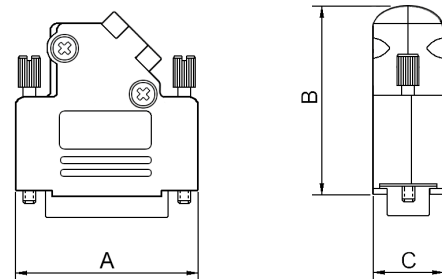
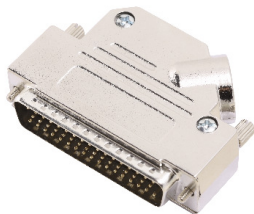
<b>Material:</b>	Zinc, Nickel Plated
<b>Operating Temperature:</b>	-40°C to +120°C
<b>Cable Entry:</b>	Side Entry
<b>Thumbscrews:</b>	UNC 4-40 (Standard) M2,5 or M3 on request
<b>Cable O.D.:</b>	Up to 13mm Up to 17mm (Size 50)
<b>Screening Test:</b>	See page XXX
<b>Accessories:</b>	See page XXX
<b>Assembly Instruction:</b>	See page XXX



### Features:

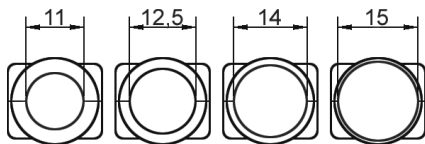
- Available in sizes 9-15-25-37-50
- Excellent EMI Shielding
- Re-openable
- Strain relief inserts ensure a secure termination
- Metalized (RAHI) grommets on request. see page XXX

NEW: Size 50 now available

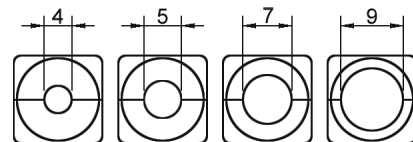


Size MHD45ZK	Dim A	Dim B	Dim C
9-way	31,0	36,3	14,5
15-way	39,5	40,3	14,5
25-way	53,2	40,3	14,5
37-way	69,7	40,3	14,5
50-way	67,4	44,9	17,4

### Grommet Sizes / D45ZK50:



### Grommet Sizes / D45ZK09-37:



### Ordering information:

Size:	P/N - Kitted:	Product Code:
9-way	6560-0106-11	MHD45ZK-9-RA-K
15-way	6560-0106-12	MHD45ZK-15-RA-K
25-way	6560-0106-13	MHD45ZK-25-RA-K
37-way	6560-0106-14	MHD45ZK-37-RA-K
50-way	6560-0106-15	MHD45ZK-50-RA-K

Size:	P/N - BULK:	Product Code:
9-way	6561-0106-11	MHD45ZK-9-RA
15-way	6561-0106-12	MHD45ZK-15-RA
25-way	6561-0106-13	MHD45ZK-25-RA
37-way	6561-0106-14	MHD45ZK-37-RA
50-way	6561-0106-15	MHD45ZK-50-RA

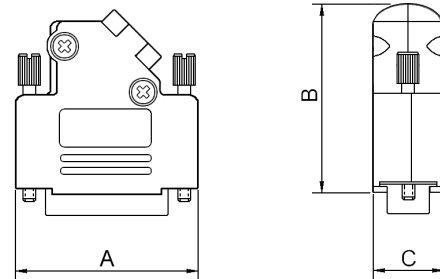
**TECHNICAL SPECIFICATIONS**

- Material:** Zinc, Black
- Operating Temperature:** -40°C to +120°C
- Cable Entry:** Side Entry
- Thumbscrews:** UNC 4-40 (Standard)  
M2,5 or M3 on request
- Cable O.D:** Up to 13mm
- Screening Test:** See page XXX
- Accessories:** See page XXX
- Assembly Instruction:** See page XXX

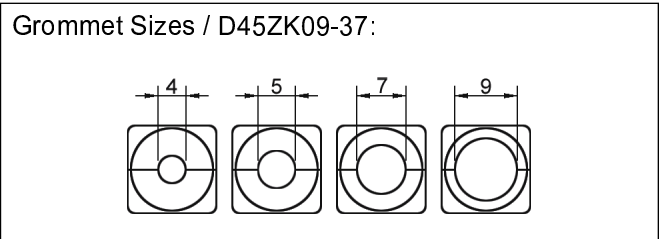


**Features:**

- Available in sizes 9-15-25-37
- Excellent EMI Shielding
- Strain relief inserts ensure a secure termination



Size MHD45ZK	Dim A	Dim B	Dim C
9-way	31,0	36,3	14,5
15-way	39,5	40,3	14,5
25-way	53,2	40,3	14,5
37-way	69,7	40,3	14,5



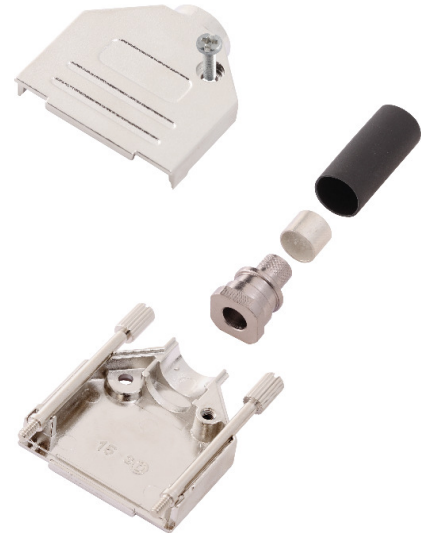
**Ordering information:**

Size:	P/N - Kitted:	Product Code:
9-way	6560-0116-11	MHD45ZK-9-BK-K
15-way	6560-0116-12	MHD45ZK-15-BK-K
25-way	6560-0116-13	MHD45ZK-25-BK-K
37-way	6560-0116-14	MHD45ZK-37-BK-K

Size:	P/N - BULK:	Product Code:
9-way	6561-0116-11	MHD45ZK-9-BK
15-way	6561-0116-12	MHD45ZK-15-BK
25-way	6561-0116-13	MHD45ZK-25-BK
37-way	6561-0116-14	MHD45ZK-37-BK

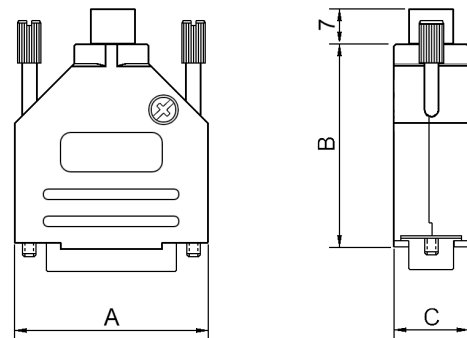
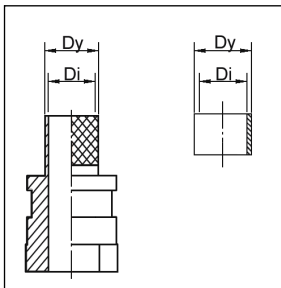
## TECHNICAL SPECIFICATIONS

<b>Material:</b>	Zinc, Nickel Plated Brass Ferrule / Brass Ring
<b>Operating Temperature:</b>	-40°C to +120°C
<b>Cable Entry:</b>	Top Entry
<b>Thumbscrews:</b>	UNC 4-40 (Standard) M2,5 or M3 on request
<b>Cable O.D.:</b>	Up to 9,5mm
<b>Screening Test:</b>	See page XXX
<b>Accessories:</b>	See page XXX
<b>Assembly Instruction:</b>	See page XXX



### Features:

- Available in sizes 9-15-25-37
- Excellent EMI Shielding
- Re-openable
- Strain relief inserts ensure a secure termination
- Full Metal Jackscrew as standard
- Also available in Rapid Assembly - See page XXX



Max Cable O.D. (mm)	Body: Dy / Di	Ring: Dy / Di	Order Code X:
6,0	5,0 / 4,0	7,0 / 6,0	1
7,5	7,0 / 6,0	9,0 / 8,0	2
8,5	8,0 / 7,0	10,0 / 9,0	3
9,5	9,0 / 8,0	11,0 / 10,0	4

Size MHDTZK	Dim A	Dim B	Dim C
9-way	31,2	39,9	15,0
15-way	39,5	41,5	15,0
25-way	53,4	48,6	15,0
37-way	69,7	53,6	15,0

## Ordering information:

Size:	P/N - Kitted:	Product Code:
9-way	6560-06X5-01	MHDTZK-9-ADK-K
15-way	6560-06X5-02	MHDTZK-15-ADK-K
25-way	6560-06X5-03	MHDTZK-25-ADK-K
37-way	6560-06X5-04	MHDTZK-37-ADK-K

Size:	P/N - BULK:	Product Code:
9-way	6561-06X5-01	MHDTZK-9-ADK
15-way	6561-06X5-02	MHDTZK-15-ADK
25-way	6561-06X5-03	MHDTZK-25-ADK
37-way	6561-06X5-04	MHDTZK-37-ADK

Example:	(Size 15 with 7,5mm Ferrule Kit)
6560-0625-02	MHDTZK-15-ADK-K

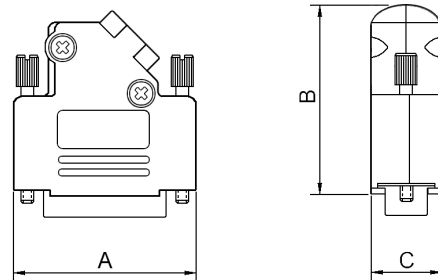
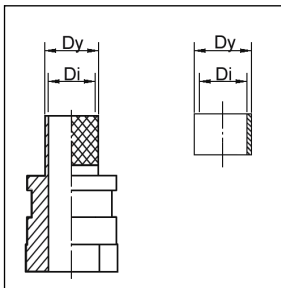
## TECHNICAL SPECIFICATIONS

<b>Material:</b>	Zinc, Nickel Plated Brass Ferrule / Brass Ring
<b>Operating Temperature:</b>	-40°C to +120°C
<b>Cable Entry:</b>	Top Entry
<b>Thumbscrews:</b>	UNC 4-40 (Standard) M2,5 or M3 on request
<b>Cable O.D.:</b>	Up to 9,5mm
<b>Screening Test:</b>	See page XXX
<b>Accessories:</b>	See page XXX
<b>Assembly Instruction:</b>	See page XXX



### Features:

- Available in sizes 9-15-25-37
- Excellent EMI Shielding
- Re-openable
- Strain relief inserts ensure a secure termination
- Full Metal Jackscrew as standard
- Also available in Rapid Assembly - See page XXX



Max Cable O.D. (mm)	Body: Dy / Di	Ring: Dy / Di	Order Code <b>X</b> :
6,0	5,0 / 4,0	7,0 / 6,0	<b>1</b>
7,5	7,0 / 6,0	9,0 / 8,0	<b>2</b>
8,5	8,0 / 7,0	10,0 / 9,0	<b>3</b>
9,5	9,0 / 8,0	11,0 / 10,0	<b>4</b>

Size MHD45ZK	Dim A	Dim B	Dim C
9-way	31,0	36,3	14,5
15-way	39,5	40,3	14,5
25-way	53,2	40,3	14,5
37-way	69,7	40,3	14,5

### Ordering information:

Size:	P/N - Kitted:	Product Code:
9-way	6560-06 <b>X</b> 6-11	MHD45ZK-9-ADK-K
15-way	6560-06 <b>X</b> 6-12	MHD45ZK-15-ADK-K
25-way	6560-06 <b>X</b> 6-13	MHD45ZK-25-ADK-K
37-way	6560-06 <b>X</b> 6-14	MHD45ZK-37-ADK-K

Size:	P/N - BULK:	Product Code:
9-way	6561-06 <b>X</b> 6-11	MHD45ZK-9-ADK
15-way	6561-06 <b>X</b> 6-12	MHD45ZK-15-ADK
25-way	6561-06 <b>X</b> 6-13	MHD45ZK-25-ADK
37-way	6561-06 <b>X</b> 6-14	MHD45ZK-37-ADK

Example: (Size 15 with 7,5mm Ferrule Kit)  
6560-06**2**6-02 MHD45ZK-15-ADK-K

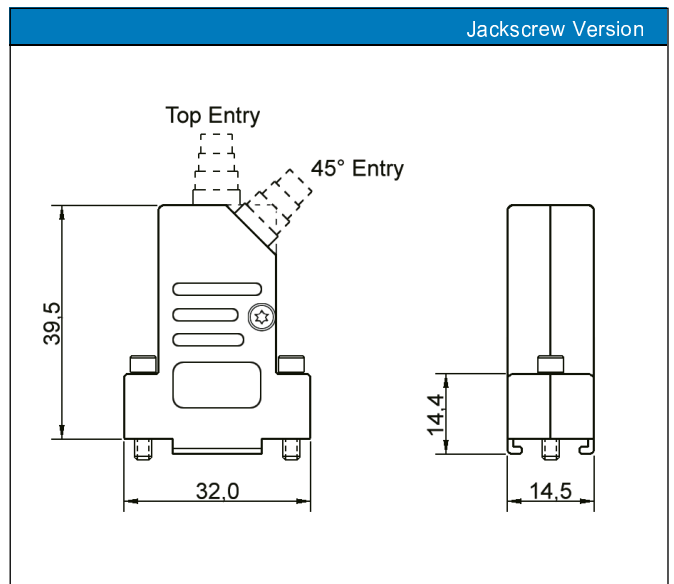
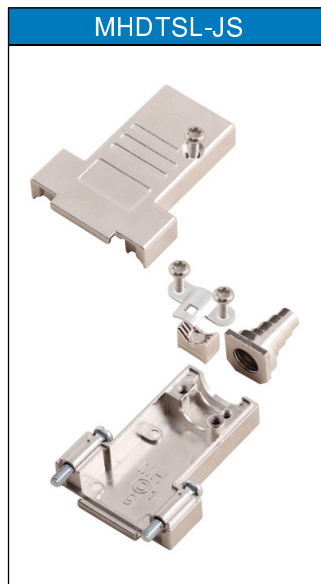
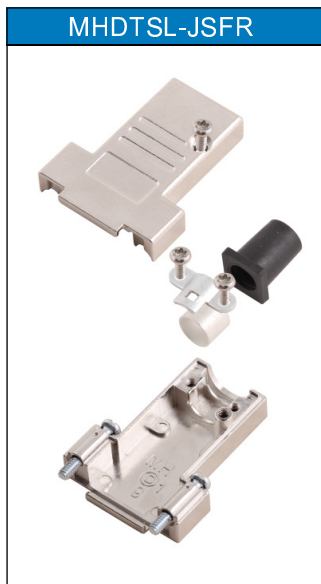
**TECHNICAL SPECIFICATIONS**

- Material:** Zinc, Nickel Plated
- Operating Temperature:** -40°C to +120°C
- Cable Entry:** Top or Side Entry
- Jackscrews:** UNC 4-40 (Standard)  
M2,5 or M3 on request
- Cable O.D.:** Up to 11,5mm
- Accessories:** See page XXX
- Assembly Instruction:** See page XXX



**Features:**

- Jackscrew Version
- Available in sizes 9- only
- Excellent EMI Shielding
- Re-openable



**Ordering information:**

MHDTSL-JSFR

Size:	P/N - Kitted:	Product Code:
9-way-TOP	6560-0237-31	MHDTSL09-JSFR-T-K
9-way-SIDE	6560-0238-31	MHDTSL09-JSFR-S-K

Size:	P/N - BULK:	Product Code:
9-way-TOP	6561-0237-31	MHDTSL09-JSFR-T
9-way-SIDE	6561-0238-31	MHDTSL09-JSFR-S

MHDTSL-JS

Size:	P/N - Kitted:	Product Code:
9-way-TOP	6560-0207-31	MHDTSL09-JS-T-K
9-way-SIDE	6560-0208-31	MHDTSL09-JS-S-K

Size:	P/N - BULK:	Product Code:
9-way-TOP	6561-0207-31	MHDTSL09-JS-T
9-way-SIDE	6561-0208-31	MHDTSL09-JS-S

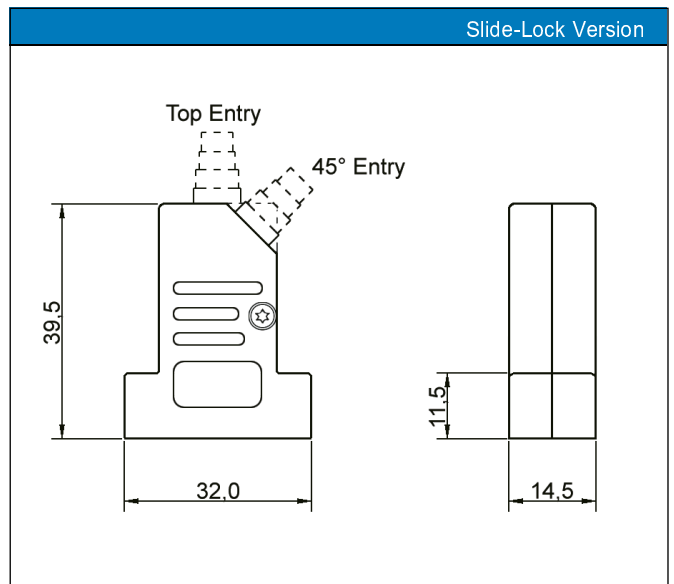
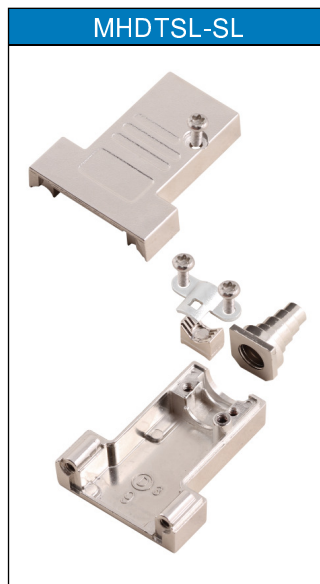
**TECHNICAL SPECIFICATIONS**

- Material:** Zinc, Nickel Plated
- Operating Temperature:** -40°C to +120°C
- Cable Entry:** Top or Side Entry
- Cable O.D:** Up to 11,5mm
- Accessories:** See page XXX
- Assembly Instruction:** See page XXX



**Features:**

- Slide-Lock Version
- Available in sizes 9- only
- Excellent EMI Shielding
- Re-openable



**Ordering information:** MHDTSL-SLFR

Size:	P/N - Kitted:	Product Code:
9-way-TOP	6560-0235-31	MHDTSL09-SLFR-T-K
9-way-SIDE	6560-0239-31	MHDTSL09-SLFR-S-K

Size:	P/N - BULK:	Product Code:
9-way-TOP	6561-0235-31	MHDTSL09-SLFR-T
9-way-SIDE	6561-0239-31	MHDTSL09-SLFR-S

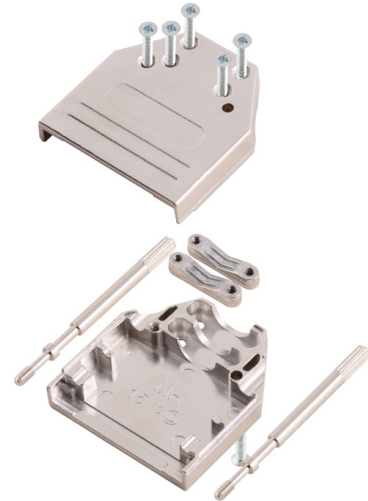
**Ordering information:** MHDTSL-SL

Size:	P/N - Kitted:	Product Code:
9-way-TOP	6560-0205-31	MHDTSL09-SL-T-K
9-way-SIDE	6560-0209-31	MHDTSL09-SL-S-K

Size:	P/N - BULK:	Product Code:
9-way-TOP	6561-0205-31	MHDTSL09-SL-T
9-way-SIDE	6561-0209-31	MHDTSL09-SL-S

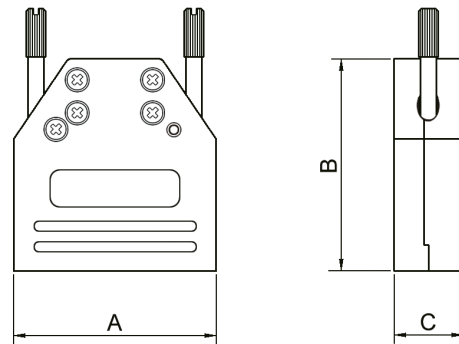
## TECHNICAL SPECIFICATIONS

<b>Material:</b>	Zinc, Nickel Plated
<b>Operating Temperature:</b>	-40°C to +120°C
<b>Cable Entry:</b>	Top Entry
<b>Jackscrews:</b>	UNC 4-40 (Standard) Other thread on request
<b>Cable O.D.:</b>	Up to 13mm



### Features:

- Available in sizes 9-15-25-37-50
- Excellent EMI Shielding
- Re-openable
- Double strain - relief for strong and secure cable clamping



Size MHDTZI	Dim A	Dim B	Dim C
9-way	34,0	45,0	14,6
15-way	43,0	45,0	14,6
25-way	56,5	45,0	14,6
37-way	73,0	45,0	14,6
50-way	71,0	45,0	17,4

### Ordering information:

Size:	P/N - Kitted:	Product Code:
9-way	6560-0305-01	MHDTZI09-K
15-way	6560-0305-02	MHDTZI15-K
25-way	6560-0305-03	MHDTZI25-K
37-way	6560-0305-04	MHDTZI37-K
50-way	6560-0305-05	MHDTZI50-K

Size:	P/N - BULK:	Product Code:
9-way	6561-0305-01	MHDTZI09
15-way	6561-0305-02	MHDTZI15
25-way	6561-0305-03	MHDTZI25
37-way	6561-0305-04	MHDTZI37
50-way	6561-0305-05	MHDTZI50

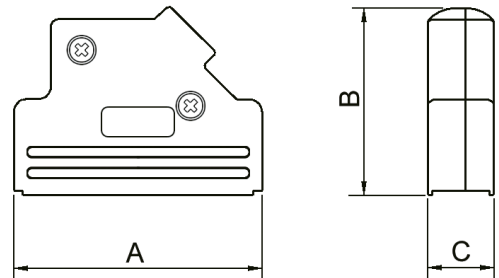
**TECHNICAL SPECIFICATIONS**

**Material:** Zinc, Nickel Plated  
**Operating Temperature:** -40°C to +120°C  
**Cable Entry:** Top Entry  
**Jackscrews:** UNC 4-40 (Standard)  
 M2,5 or M3 on request  
**Cable O.D:** Up to 13mm

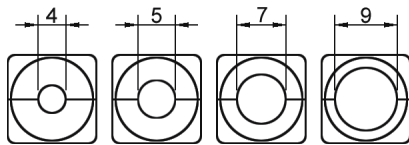


**Features:**

- Available in sizes 9-15-25-37
- Excellent EMI Shielding
- Re-openable
- Strain relief inserts ensure a secure termination
- Metalized (RAHI) grommets on request.



Grommet Sizes / DVSL09-37:



Size MHDVSL	Dim A	Dim B	Dim C
9-way	14,5	36,3	31,0
15-way	14,5	40,3	39,5
25-way	14,5	40,3	53,2
37-way	14,5	40,3	69,7

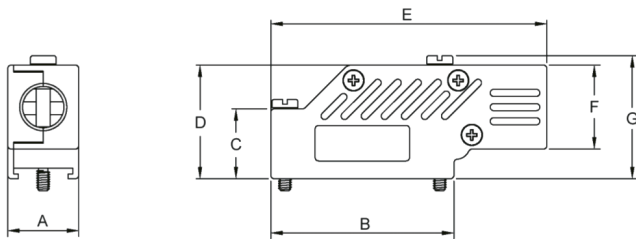
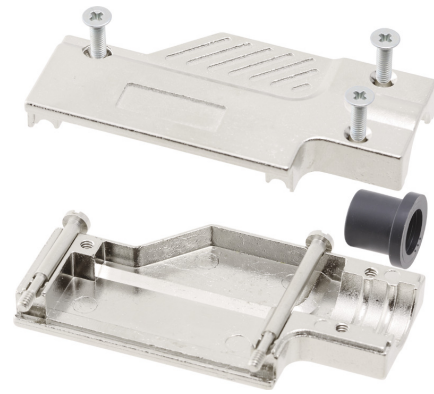
**Ordering information:**

Size:	P/N - Kitted:	Product Code:
9-way	6560-0206-31	MHDVSL-09-K
15-way	6560-0206-32	MHDVSL-15-K
25-way	6560-0206-33	MHDVSL-25-K
37-way	6560-0206-34	MHDVSL-37-K

Size:	P/N - BULK:	Product Code:
9-way	6561-0206-31	MHDVSL-09
15-way	6561-0206-32	MHDVSL-15
25-way	6561-0206-33	MHDVSL-25
37-way	6561-0206-34	MHDVSL-37

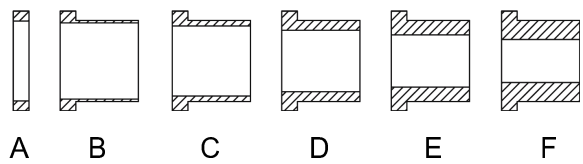
## TECHNICAL SPECIFICATIONS

- Material:** Zinc, Nickel Plated
- Operating Temperature:** -25°C to +90°C
- Cable Entry:** Side Entry
- Jackscrews:** UNC 4-40
- Cable O.D:** Up to 18,4mm
- Type of grommets:** Compression Inserts



Size	A	B	C	D	E	F	G
9	15,0	30,8	15,0	24,4	50,8	18,0	26,2
15	15,2	39,4	15,0	24,4	59,3	18,0	26,4
25	15,8	53,3	23,1	34,5	72,4	24,3	36,6
37	15,8	69,9	23,1	40,9	89,7	30,7	42,9
50	18,0	67,1	-	40,9	86,9	30,7	42,9

### Compression Inserts - Inner Diameters:



Size	A	B	C	D	E	F
9/15	8,10	8,00	7,25	6,50	5,30	-
25	11,40	10,40	9,40	7,60	5,80	-
37/50	16,50	15,75	14,50	12,70	10,80	8,90

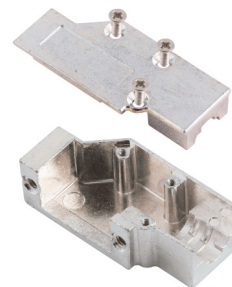
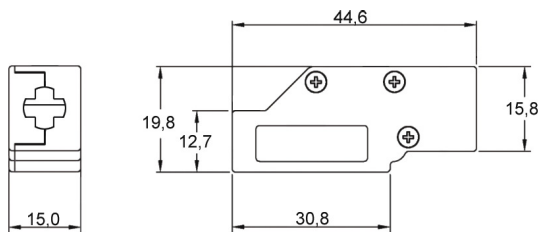
### Features:

- Available in sizes 9, 15, 25 and 37-way  
Size 50 on request
- Suitable for any common Sub-D connector
- Re-Openable
- Compression Inserts in Thermoplastic Compound

### Order codes:

9-way	1060-0135-01	MHDCMR9-ULP
15-way	1060-0135-02	MHDCMR15-ULP
25-way	1060-0135-03	MHDCMR25-ULP
37-way	1060-0135-04	MHDCMR37-ULP
50-way	1060-0135-05	MHDCMR50-ULP

### Slide Lock Version:



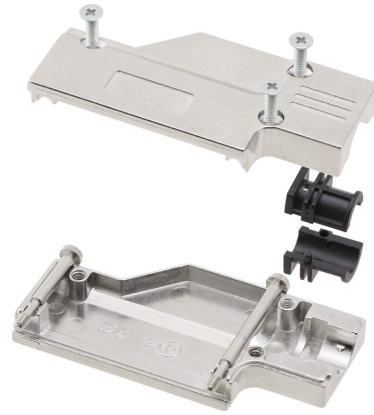
- Material as above ULP-version
- Available in size 9 only

### Order codes:

9-way	1060-0135-11	MHDCMR09-SL
-------	--------------	-------------

## TECHNICAL SPECIFICATIONS

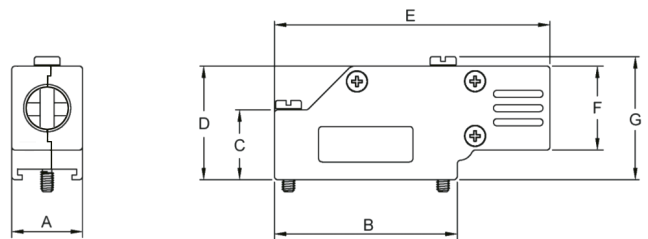
<b>Material:</b>	Zinc, Nickel Plated
<b>Operating Temperature:</b>	-40°C to +120°C
<b>Cable Entry:</b>	Side Entry
<b>Jackscrews:</b>	UNC 4-40
<b>Cable O.D.:</b>	Up to 13mm
<b>Type of grommets:</b>	2 piece Plastic Ferrule Kit



03

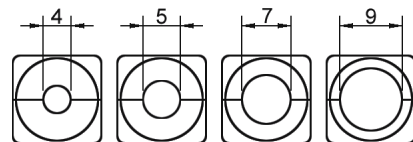
### Features:

- Available in sizes 9 and 25-way  
Other sizes on request
- Suitable for any common Sub-D connector
- Re-Openable
- 2-piece plastic Ferrule Kit - Available also in metalized version - See page XXX



Size	A	B	C	D	E	F	G
9	15,0	30,8	15,0	24,4	50,8	18,0	26,2
25	15,8	53,3	23,1	34,5	72,4	24,3	36,6

### Grommet Sizes / DCMR-RA:



### Ordering information:

Size:	P/N - Kitted:	Product Code:
9-way	6560-0501-01	MHDCMR-09-RA-K
15-way	6560-0501-02	On request
25-way	6560-0501-03	MHDCMR-25-RA-K
37-way	6560-0501-04	On request

Size:	P/N - BULK:	Product Code:
9-way	6561-0501-01	MHDCMR-09-RA
15-way	6561-0501-02	On request
25-way	6561-0501-03	MHDCMR-25-RA
37-way	6561-0501-04	On request

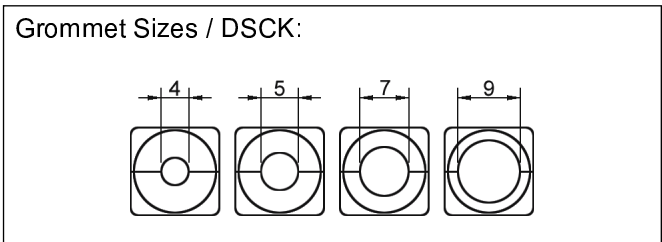
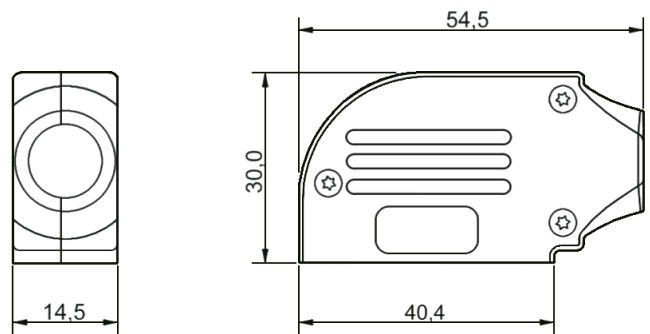
**TECHNICAL SPECIFICATIONS**

**Material:** Zinc, Nickel Plated  
**Operating Temperature:** -40°C to +120°C  
**Cable Entry:** Side Entry  
**Cable O.D:** Up to 13mm  
**Type of grommets:** 2 piece Plastic Ferrule Kit



**Features:**

- Available in size 15 only
- Suitable for any common Sub-D connector
- Re-Openable
- Perfect solution for Ethernet Applications



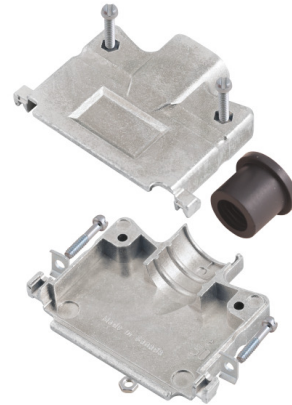
**Ordering information:**

Size:	P/N - Kitted:	Product Code:
15-way	6560-0406-32	DSCK-15-SL-K

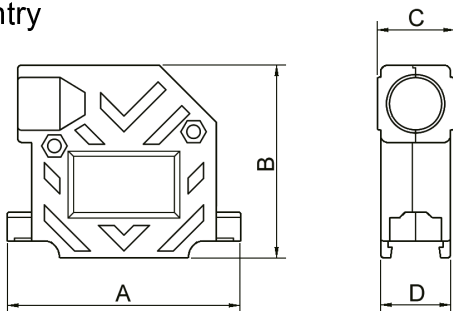
Size:	P/N - BULK:	Product Code:
15-way	6561-0406-32	DSCK-15-SL

**TECHNICAL SPECIFICATIONS**

**Material:** Zinc, Nickel Plated  
**Operating Temperature:** -25°C to +90°C  
**Cable Entry:** Side or Top Entry  
 Flat Cable Entry  
**Jackscrews:** UNC 4-40

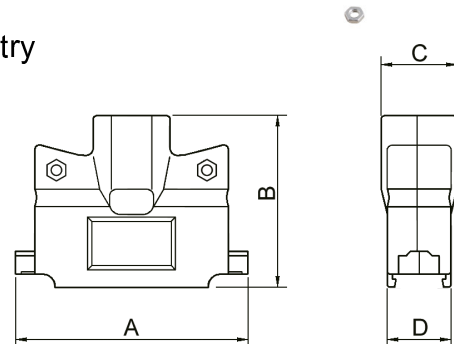


**Side Entry**



Size	Dim A	Dim B	Dim C	Dim D
25	53,1	43,6	18,0	16,3

**Top Entry**



Size	Dim A	Dim B	Dim C	Dim D
9	31,1	37,2	15,7	15,7
15	39,1	40,6	15,7	15,7
25	53,1	39,1	17,5	15,7
37	66,6	45,7	21,9	18,5
50	66,6	45,7	21,9	18,5

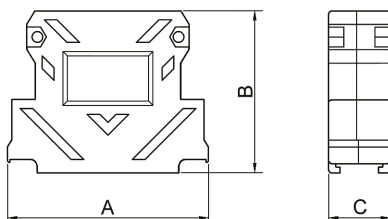
**Ordering information:** *Side Entry*

Size:	P/N - Kitted:	Product Code:
25-way	1060-0206-03	C88E420000

**Ordering information:** *Top Entry*

Size:	P/N - Kitted:	Product Code:
9-way	1060-0205-01	C88E000209
15-way	1060-0205-02	C88E000211
25-way	1060-0205-03	C88E000204
37-way	1060-0205-04	C88E000210
50-way	1060-0205-05	C88E000212

**MHC88E - Flat Cable Entry Hood**



Size:	Dim A	Dim B	Dim C
Flat - 25-way	55,5	45,7	17,5

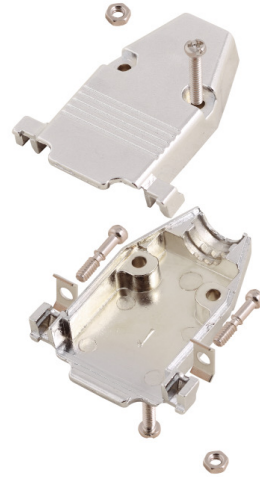


**Ordering information:**

Size:	P/N - Kitted:	Product Code:
25-way	1060-0207-03	C88E520000

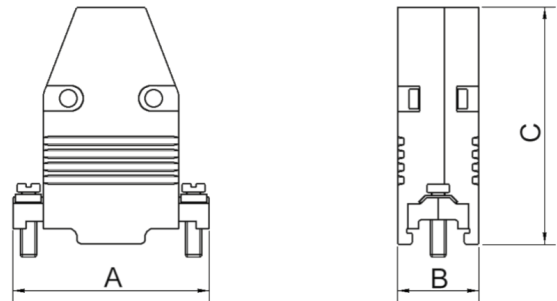
## TECHNICAL SPECIFICATIONS

<b>Material:</b>	Zinc, Nickel Plated
<b>Operating Temperature:</b>	-40°C to +120°C
<b>Cable Entry:</b>	Top Entry
<b>Cable O.D.:</b>	Up to 16mm
<b>Jackscrews:</b>	UNC 4-40 Short Jackscrews (ME-version) Long Jackscrews (MEL-version)



### Features:

- Available in sizes 9, 15, 25, 37 and 50
- Suitable for any common Sub-D connector
- Re-Openable
- Available also with Long Jackscrews (MEL)



Size MHCCOV	Dim A	Dim B	Dim C
9-way	31,4	16,2	48,3
15-way	40,2	16,2	48,3
25-way	53,0	16,2	48,3
37-way	69,2	16,2	48,3
50-way	67,0	18,4	48,3

### Ordering information: (Short Jackscrews)

Size:	P/N - Kitted:	Product Code:
9-way	2360-0106-01	MHCCOV9-ME
15-way	2360-0106-02	MHCCOV15-ME
25-way	2360-0106-03	MHCCOV25-ME
37-way	2360-0106-04	MHCCOV37-ME
50-way	2360-0106-05	MHCCOV50-ME

### (Long Jackscrews)

Size:	P/N - Kitted:	Product Code:
9-way	2360-0106-11	MHCCOV 9-MEL
15-way	2360-0106-12	MHCCOV15-MEL
25-way	2360-0106-13	MHCCOV25-MEL
37-way	2360-0106-14	MHCCOV37-MEL
50-way	2360-0106-15	MHCCOV50-MEL

## TECHNICAL SPECIFICATIONS

- Material:** Zinc, Nickel Plated
- Operating Temperature:** -25°C to +90°C
- Cable Entry:** Top Entry
- Cable O.D.:** Up to 16mm\*
- Jackscrews:** UNC 4-40  
Short Jackscrews (ME-version)  
Long Jackscrews (MEL-version)

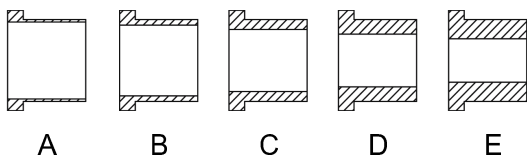
\* Cable Diameter Max 16mm if Compression Insert is not used.  
Recommended diameters with Inserts - Please see table below.



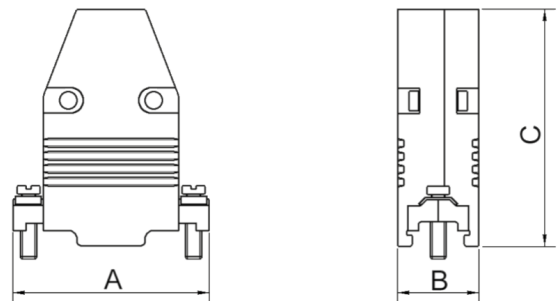
### Features:

- Available in sizes 9, 15, 25, 37 and 50
- Suitable for any common Sub-D connector
- Re-Openable
- Available also with Long Jackscrews (MEL)

### Compression Inserts - Inner Diameters:



Size	A	B	C	D	E
9/15	8,00	7,50	7,00	6,00	4,50
25	9,50	8,30	7,90	6,75	5,80
37/50	13,50	13,00	11,00	9,00	8,00



Size MHCCOV	Dim A	Dim B	Dim C
9-way	31,4	16,2	53,0
15-way	40,2	16,2	48,3
25-way	53,0	16,2	48,3
37-way	69,2	16,2	48,3
50-way	67,0	18,4	48,3

### Ordering information: (Short Jackscrews)

Size:	P/N - Kitted:	Product Code:
9-way	2360-0107-01	MHCCOV9-ME-RG
15-way	2360-0107-02	MHCCOV15-ME-RG
25-way	2360-0107-03	MHCCOV25-ME-RG
37-way	2360-0107-04	MHCCOV37-ME-RG
50-way	2360-0107-05	MHCCOV50-ME-RG

### (Long Jackscrews)

Size:	P/N - Kitted:	Product Code:
9-way	2360-0107-11	MHCCOV 9-MEL-RG
15-way	2360-0107-12	MHCCOV15-MEL-RG
25-way	2360-0107-13	MHCCOV25-MEL-RG
37-way	2360-0107-14	MHCCOV37-MEL-RG
50-way	2360-0107-15	MHCCOV50-MEL-RG

## TECHNICAL SPECIFICATIONS

### Material:

Plastic Hood: Polyamid - UL-recognised  
 Metal Hood: Steel, Zinc plated

**Operating Temperature:** -55°C to +110°C

**Thumbscrews:** UNC 4-40 (Standard)  
 M2,5 or M3 on request

**Cable Entry:** Top Entry

**Cable O.D.:** Up to 11,5mm

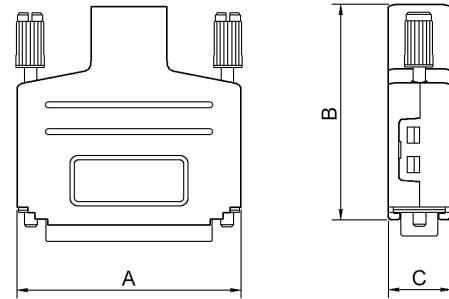
**Accessories:** See page XXX

**Assembly Instruction:** See page XXX



### Features:

- Available in sizes 9-15-25-37
- Suitable for IDC connectors
- Quick-Snap locking system
- Crimping method ensures a 360° shielding



### Ordering information:

Size:	P/N - Kitted:	Product Code:
9-way	6260-0120-xx	DTK09I-[size] + DTPK09I-JS
15-way	6260-0121-xx	DTK15I-[size] + DTPK15I-JS
25-way	6260-0122-xx	DTK25I-[size] + DTPK25I-JS
37-way	6260-0123-xx	DTK37I-[size] + DTPK37I-JS

Size DTK/DTPK	Dim A	Dim B	Dim C
9-way	35,0	54,0	19,0
15-way	43,0	54,0	19,0
25-way	54,0	53,0	18,0
37-way	74,0	54,0	19,0

### Code for correct ferrule:

**Standard Crimp**

Loose Crimp Ferrule      Fixed Ferrule

Example: 6260-0120-01  
 DTK09I-5,3 + DTPK09I-JS

Cable O.D	Size	Order Code xx	Suits Hood size
Up to 7 mm	5,3	-01	9-15-25-37
6,8–8,6 mm	6,0	-02	9-15-25-37
8,4–9,8 mm	7,0	-03	9-15-25-37
9,6–10,3 mm	7,5	-04	9-15-25-37
10,1–11,0 mm	8,6	-05	9-15-25-37
10,8–12,5 mm	10,5	-07	9-15-25-37

**Reversed Crimp**

Fixed Crimp Ferrule      Support Ferrule

Example: 6260-0120-10  
 DTK09I-R5,3 + DTPK09I-JS

Cable O.D	Size	Order Code xx	Suits Hood size
Up to 5,1 mm	R5,3	-10	9-15-25-37
4,3–6,9 mm	R7,1	-12	9-15-25-37
6,1–8,8 mm	R9,0	-14	9-15-25-37
8,0–10,3 mm	R10,5	-15	9-15-25-37
9,5–11,5 mm	R11,7	-16	9-15-25-37

## TECHNICAL SPECIFICATIONS

### Material:

Plastic Hood: Polyamid - UL-recognised  
 Metal Hood: Steel, Zinc plated

**Operating Temperature:** -55°C to +110°C

**Cable Entry:** Top or Side Entry

**Cable O.D:** Up to 11,5mm

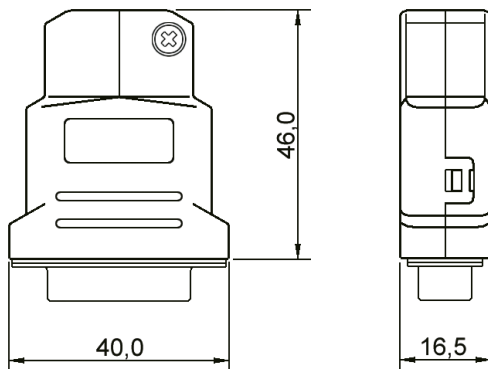
**Accessories:** See page XXX

**Assembly Instruction:** See page XXX

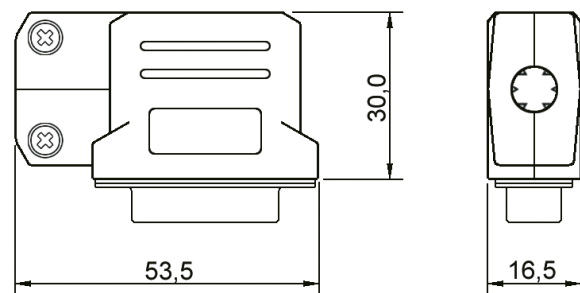


04

DTK TOP - Entry



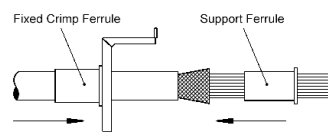
DTK SIDE - Entry



### Features:

- Available in size 15, Side or Top Entry
- Suitable for Ethernet applications
- Quick-Snap locking system
- Crimping method ensures a 360° shielding
- For Slide-Lock mounting only

### Reversed Crimp



Example: 6260-0135-14  
 DTK15-R9,0 + DTPK15-SL

### Ordering information:

Size:	P/N - Kitted:	Product Code:
15-way	6260-0135-xx	DTK15-[size] + DTPK15-SL
15-way	6260-0136-xx	DSK15-[size] + DSPK15-SL

Size:	P/N - BULK:	Product Code:
15-way	6261-0135-xx	DTK15-[size] + DTPK15-SL
15-way	6261-0136-xx	DSK15-[size] + DSPK15-SL

### Code for correct ferrule:

Cable O.D	Size	Order Code xx	Suits Hood size
4,3–6,9 mm	R7,1	-12	DTK15 / DSK15
5,1–7,8 mm	R8,0	-13	DTK15 / DSK15
6,1–8,8 mm	R9,0	-14	DTK15 / DSK15
8,0–10,3 mm	R10,5	-15	DTK15 / DSK15
9,5–11,5 mm	R11,7	-16	DTK15 / DSK15

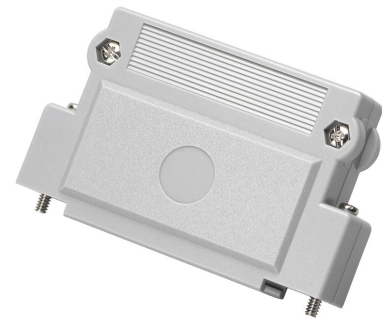
## SPECIAL HOODS

### Flat Cable Connector Hood

Material: ABS Plastic  
Shielded and Unshielded version

Sizes: 9-15-25-37

Screws: UNC 4-40 locking screw



DFCK

#### Ordering information:

Size:	Part Number:	Product Code:
9-way	1520-0101-01	MHDFCK09-P
15-way	1520-0101-02	MHDFCK15-P
25-way	1520-0101-03	MHDFCK25-P
37-way	1520-0101-04	MHDFCK37-P

### Flat Cable Grip Cap

Material: ABS Plastic, Black

Sizes: 9-15-25

Each kit contains fastening bolts



DFCC

#### Ordering information:

Size:	Part Number:	Product Code:
9-way	1520-0201-01	MHDFCK09-P
15-way	1520-0201-02	MHDFCK15-P
25-way	1520-0201-03	MHDFCK25-P

### Drawn D-Connector Hood

Material: Steel, Zinc Plated

Sizes: 9-15-25-37



DMCK

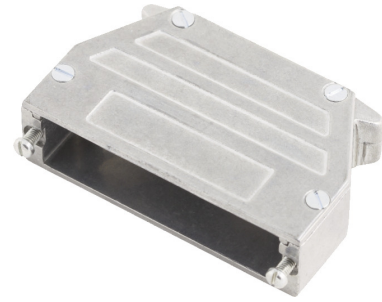
#### Ordering information:

Size:	Part Number:	Product Code:	Max Cable O.D:
9-way	2901-0101-01	DMCK09 - 5.5	5,3mm
9-way	2901-0101-11	DMCK09 - 7.2	7,1mm
9-way	2901-0101-21	DMCK09 - 9.5	9,3mm
15-way	2901-0101-02	DMCK15 - 7.2	7,1mm
15-way	2901-0101-12	DMCK15 - 9.5	9,3mm
25-way	2901-0101-03	DMCK25 - 7.2	7,1mm
25-way	2901-0101-13	DMCK25 - 9.5	9,3mm
25-way	2901-0101-23	DMCK25 - 10.8	10,5mm
37-way	2901-0101-04	DMCK37 - 10.8	10,5mm

The drawn metal cans are normally used as a press fit shielding cover prior to overmoulding with PVC. The cable to can entry can be heat shrink sleeved to provide sealing against dust.

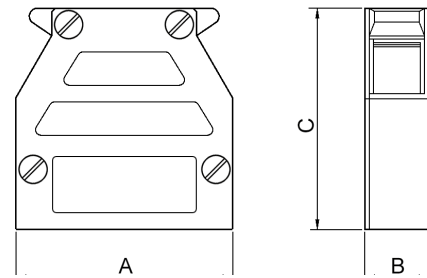
## TECHNICAL SPECIFICATIONS

**Material:** Zinc Alloy  
**Operating Temperature:** -40°C to +120°C  
**Cable Entry:** Side-Top-Side Entry  
**Cable O.D:** Up to 13,5mm



### Features:

- Suitable for sizes 9, 15, 25, 37 and 50-way
- Easy to re-open
- Slide-Lock system integrated inside hood with special spring and slide lever.

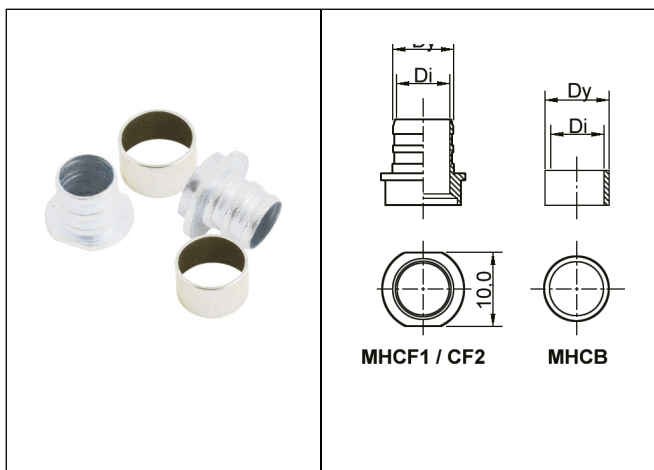


### Ordering information: Slide-Lock Version

Size:	P/N - Kitted:	Product Code:
9-way, Black	2801-0107-01	MHED-H09-M1-K
15-way, Black	2801-0107-02	MHED-H15-M1-K
25-way, Black	2801-0107-03	MHED-H25-M1-K
37-way, Black	2801-0107-04	MHED-H37-M1-K
50-way, Black	2801-0107-05	MHED-H50-M1-K

Size MHED-H	Dim A	Dim B	Dim C
9-way	31,4	16,2	48,3
15-way	40,2	16,2	48,3
25-way	53,0	16,2	48,3
37-way	69,2	16,2	48,3
50-way	67,0	18,4	48,3

### Accessories for MHED-H:



Order Code:	Name:	Suite Hood Sizes:
2802-1000-xx	MHCF1-Di / Dy	9-37
2802-2000-xx	MHCF2-Di / Dy	50
Order Code:	Name:	Suite Hood Sizes:
2802-3000-xx	MHCB-Di / Dy	9-50

Flange:	Di:	Dy:	Max Cable O.D:	Part Number:
MHCFx030/040	3,0	4,0	5,3mm	2802-x000-01
MHCFx035/045	3,5	4,5	5,3mm	2802-x000-02
MHCFx040/050	4,0	5,0	5,3mm	2802-x000-03
MHCFx045/055	4,5	5,5	5,3mm	2802-x000-04
MHCFx050/060	5,0	6,0	5,3mm	2802-x000-05
MHCFx055/065	5,5	6,5	5,3mm	2802-x000-06
MHCFx060/070	6,0	7,0	5,3mm	2802-x000-07
MHCFx065/075	6,5	7,5	5,3mm	2802-x000-08
MHCFx070/080	7,0	8,0	5,3mm	2802-x000-09
MHCFx075/085	7,5	8,5	5,3mm	2802-x000-10
MHCFx080/090	8,0	9,0	5,3mm	2802-x000-11
MHCFx085/095	8,5	9,5	5,3mm	2802-x000-12
MHCFx090/100	9,0	10,0	5,3mm	2802-x000-13
MHCFx095/105	9,5	10,5	5,3mm	2802-x000-14

Bushing:	Di:	Dy:	Suitable Flange:	Part Number:
MHCB055/065	5,5	6,5	MHCFx030/040	2802-3000-01
MHCB065/075	6,5	7,5	MHCFx035/045	2802-3000-02
MHCB075/085	7,5	8,5	MHCFx040/050	2802-3000-03
MHCB080/090	8,0	9,0	MHCFx045/055	2802-3000-04
MHCB085/095	8,5	9,5	MHCFx050/060	2802-3000-05
MHCB090/100	9,0	10,0	MHCFx055/065	2802-3000-06
MHCB095/105	9,5	10,5	MHCFx060/070	2802-3000-07
MHCB100/110	10,0	11,0	MHCFx065/075	2802-3000-08
MHCB110/120	11,0	12,0	MHCFx070/080	2802-3000-09
MHCB115/125	11,5	12,5	MHCFx075/085	2802-3000-10
MHCB120/130	12,0	13,0	MHCFx080/090	2802-3000-11
MHCB125/135	12,5	13,5	MHCFx085/095	2802-3000-12
MHCB130/140	13,0	14,0	MHCFx090/100	2802-3000-13
MHCB135/145	13,5	14,5	MHCFx095/105	2802-3000-14

## TECHNICAL SPECIFICATIONS

**Materials:**

**Unshielded Hood:** Polyamid - UL-recognised

**Operating Temperature:** -55°C to +110°C

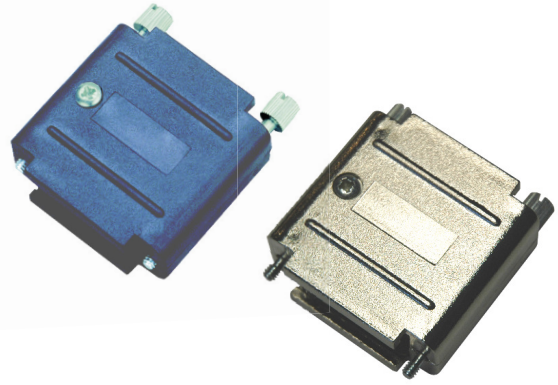
**Thumbscrews:** UNC 4-40 (Standard)

**Shielded Hood:** ABS/PC - UL-recognised

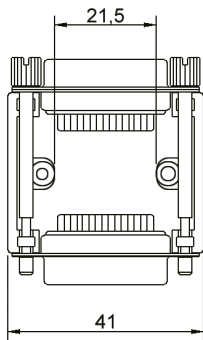
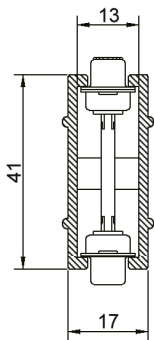
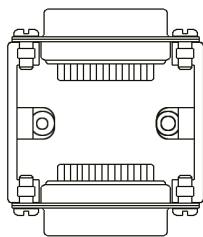
**Plating:** Nickel over Copper

**Operating Temperature:** -55°C to +110°C

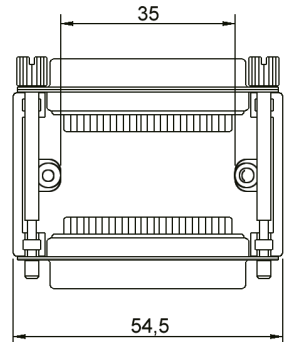
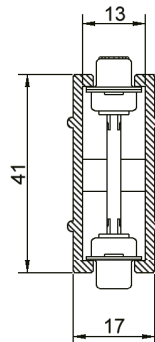
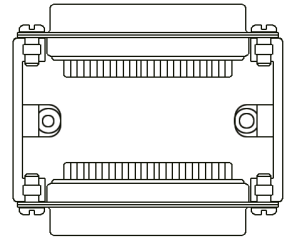
**Thumbscrews:** UNC 4-40 (Standard)



### MHDAPK 15



### MHDAPK 25



**Note:**

All adapters are delivered with 2 long and 4 short screws in standard versions as seen in above drawings and in below ordering information.

If you only need 2pcs Jackscrews - the please contact us.

**Ordering information:**

Unshielded Version

Size:	P/N - Kitted:	Product Code:
15-way	6211-0100-02	MHDAPK15-JS
25-way	6211-0100-03	MHDAPK25-JS

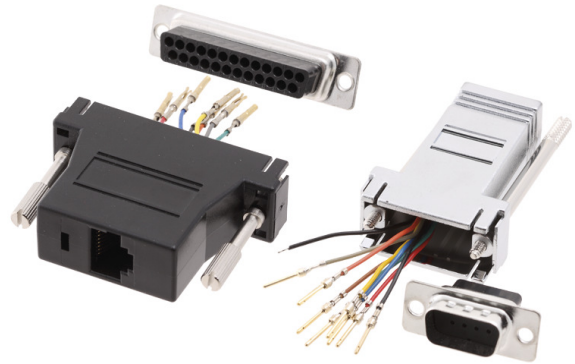
**Ordering information:**

Shielded Version

Size:	P/N - Kitted:	Product Code:
15-way	6211-0100-12	MHDAPK15-JS/MET
25-way	6211-0100-13	MHDAPK25-JS/MET

## TECHNICAL SPECIFICATIONS

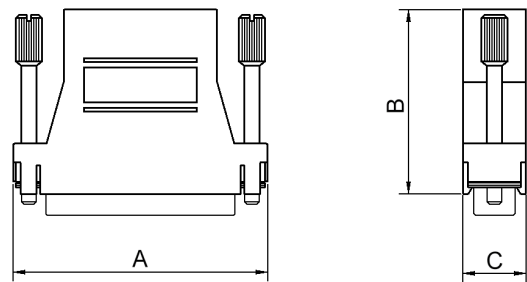
- Materials:**  
**Unshielded Hood:** UL-recognised plastic material  
**Operating Temperature:** -30°C to +110°C  
**Colour:** Black (Standard)  
 Other colour on request
- Shielded Hood:** UL-recognised plastic material  
**Plating:** Nickel over Copper  
**Operating Temperature:** -30°C to +90°C  
**Thumbscrews:** UNC 4-40 (Standard)



05

### Features:

- Available in sizes 9 and 25 (15 on request)
- Available in EMI-shielded and unshielded version
- Delivered complete with wires and Sub-D
- Pre-wired connectors on request



Size MHDA	Dim A	Dim B	Dim C
9-way	33,0	15,0	49,5
15-way	41,3	15,0	39,0
25-way	55,1	15,0	39,0

### Ordering information: Unshielded Version

Size:	P/N - Kitted:	Product Code:
9-way	2112-0100-01	MHDA09-SMJ6-K-RC
15-way	On request	
25-way	2112-0100-03	MHDA25-SMJ6-K-RC
9-way	2112-0100-11	MHDA09-PMJ6-K-RC
15-way	On request	
25-way	2112-0100-13	MHDA25-PMJ6-K-RC
9-way	2112-0101-01	MHDA09-SMJ8-K-RC
15-way	On request	
25-way	2112-0101-03	MHDA25-SMJ8-K-RC
9-way	2112-0101-11	MHDA09-PMJ8-K-RC
15-way	On request	
25-way	2112-0101-13	MHDA25-PMJ8-K-RC

### Ordering information: Shielded Version

Size:	P/N - Kitted:	Product Code:
9-way	2112-0105-01	MHDA09-SMJ8-M-K-RC
15-way	On request	
25-way	2112-0105-03	MHDA25-SMJ8-M-K-RC
9-way	2112-0105-11	MHDA09-PMJ8-M-K-RC
15-way	On request	
25-way	2112-0105-13	MHDA25-PMJ8-M-K-RC

- SMJ6 = Sub-D Female to RJ11  
 PMJ6 = Sub-D Male to RJ11  
 SMJ8 = Sub-D Female to RJ45  
 PMJ8 = Sub-D Male to RJ45

## TECHNICAL SPECIFICATIONS

**Materials:**

**Unshielded Hood:** UL-recognised plastic material

**Operating Temperature:** -30°C to +110°C

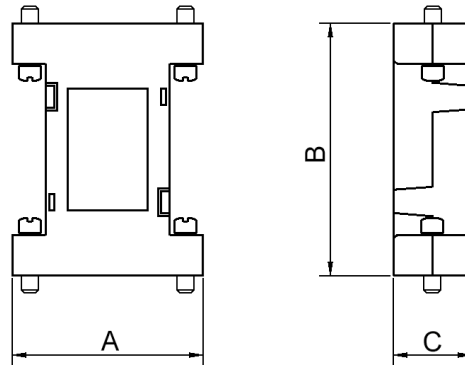
**Colour:** Light Grey (Standard)  
Other colour on request

**Shielded Hood:** UL-recognised plastic material

**Plating:** Nickel over Copper

**Operating Temperature:** -30°C to +90°C

**Jackscrews:** UNC 4-40 (Standard)



MM = Male to Male Sub-D  
MF = Male to Female Sub-D  
FF = Female to Female Sub-D

Size MHGA	Dim A	Dim B	Dim C
9-way	33,2	62,0	16,5
15-way	41,0	62,0	16,5
25-way	56,0	62,0	16,5

### Ordering information: Unshielded Version

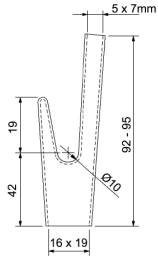
Size:	P/N - Kitted:	Product Code:
9-way	2111-0101-01	MHGA0909-MM-LG-K-RC
15-way	2111-0101-02	MHGA1515-MM-LG-K-RC
25-way	2111-0101-03	MHGA2525-MM-LG-K-RC
9-way	2111-0101-11	MHGA0909-MF-LG-K-RC
15-way	2111-0101-12	MHGA1515-MF-LG-K-RC
25-way	2111-0101-13	MHGA2525-MF-LG-K-RC
9-way	2111-0101-21	MHGA0909-FF-LG-K-RC
15-way	2111-0101-22	MHGA1515-FF-LG-K-RC
25-way	2111-0101-23	MHGA2525-FF-LG-K-RC

### Ordering information: Shielded Version

Size:	P/N - Kitted:	Product Code:
9-way	2111-0105-01	MHGA0909-MM-M-K-RC
15-way	2111-0105-02	MHGA1515-MM-M-K-RC
25-way	2111-0105-03	MHGA2525-MM-M-K-RC
9-way	2111-0105-11	MHGA0909-MF-M-K-RC
15-way	2111-0105-12	MHGA1515-MF-M-K-RC
25-way	2111-0105-13	MHGA2525-MF-M-K-RC
9-way	2111-0105-21	MHGA0909-FF-M-K-RC
15-way	2111-0105-22	MHGA1515-FF-M-K-RC
25-way	2111-0105-23	MHGA2525-FF-M-K-RC

# DIP-MOULDED SERIES

## Battery Clip Insulating Covers – 20A



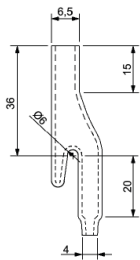
**Features:**

- Red or Black colour
- Suitable for 20 Amp
- Material: PVC

Order Code:	Colour:
DIP-IBC20A-R	RED
DIP-IBC20A-BK	BLACK



## Battery Clip Insulating Covers – 5A



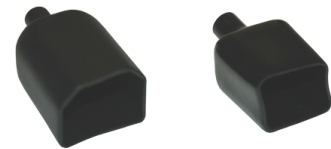
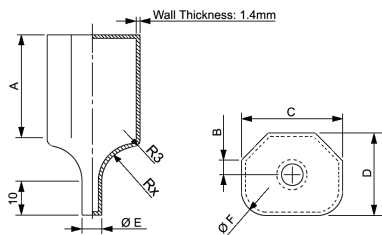
**Features:**

- Red or Black colour
- Suitable for 5 Amp
- Material: PVC

Order Code:	Colour:
DIP-IC5A-R	RED
DIP-IC5A-BK	BLACK



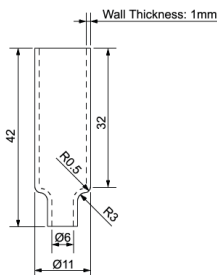
## IEC Insulating Covers



For protecting a variety of IEC Inlets, Outlets and Filters

Order Code:	A	B	C	D	ØE	ØF	Rx	Material:	Colour:
DIP-IEC4-BK	35	-	27,0	19,0	4,0	4	10,0	UL94 V-0-rated PVC	Black
DIP-IEC5-BK	30	-	27,0	19,0	4,0	4	10,0	UL94 V-0-rated PVC	Black
DIP-IEC6S-BK	22	-	27,0	19,0	6,0	4	10,5	UL94 V-0-rated PVC	Black
DIP-IEC6L-BK	35	8,25	26,5	30,5	6,4	-	10,0	UL94 V-0-rated PVC	Black
DIP-IEC7-BK	38	4,25	30,0	24,0	6,4	16	9,0	UL94 V-0-rated PVC	Black

## Fuse Holder Insulating Cover



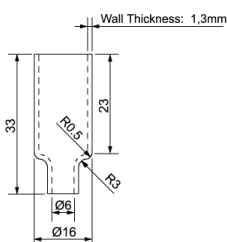
**Features:**

- Fuse Holder Insulating Cover
- Black PVC
- Suits 20x5 mm Panel mount Fuse Holders

Order Code:	Colour:
DIP-ISFH-BK	BLACK



## Rear Insulating Cover



**Features:**

- Rear Insulating Cover
- Black PVC
- Suitable for electrical connections of 3, 4 and 6-pole 3A Mini Inlet and Outlet Plugs & Sockets

Order Code:	Colour:
DIP-IMI3A-BK	BLACK





**B.C.E. s.r.l.**  
Via Regina Pacis, 54/c - 41049 SASSUOLO (MO) Italy  
Tel. +39 0536 811.616 r.a. - Fax +39 0536 811.500  
[www.bce.it](http://www.bce.it) - E-mail: [bce@bce.it](mailto:bce@bce.it)

