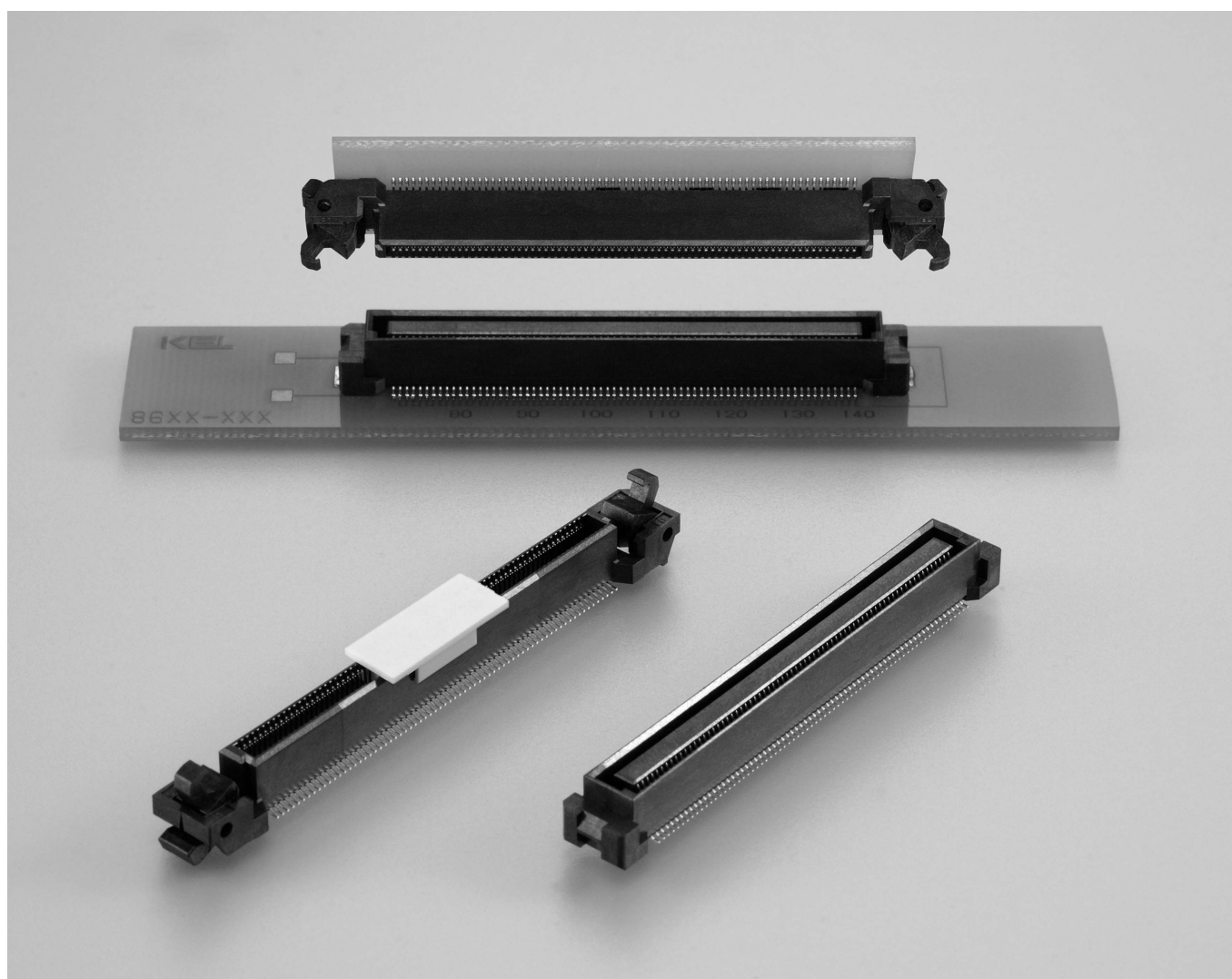


25mil (0.635mm) Pitch 2 Piece Connector One-Touch Locking Ejector System

8602E_{SERIES}



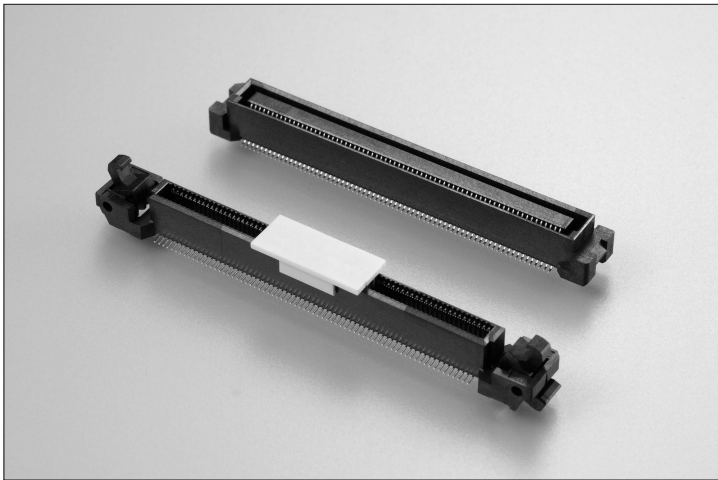
Distributed by:

B.C.E. S.r.l.

Via Regina Pacis, 54/c - I 41049 Sassuolo - (MO)

Tel: (+39) 0536 811616 - **Fax:** (+39) 0536 811500

E-mail: bce@bce.it • **Home Page :** www.bce.it



FEATURES

- 0.635mm pitch Board to Board connector. (One-Touch locking ejector system)
- Reliable connection with 1.4mm effective contact displacement
- Three sizes : 60, 140 and 160 pins
- Designed to prevent mis-insertion
- Coplanarity of 0.1mm
- Stacked mating height of 8mm
- RoHS compliance

SPECIFICATIONS

- Insulator material : Glass-filled LCP (UL94V-0), Black
- Contact material : Copper alloy
- Contact plating : Gold over Nickel
- Lock material : Glass-filled LCP (UL94V-0), Black
- Pick&Place cap material : Glass-filled 6T Nylon (UL94V-0), Off-white
- Current rating : 0.5A per contact
- Contact resistance : 50mΩ max.
- Dielectric withstanding voltage : 200V AC for 1 minute
- Insulation resistance : 100MΩ min. at 250V DC
- Operating temperature : -40°C to +85°C

ORDER CODE

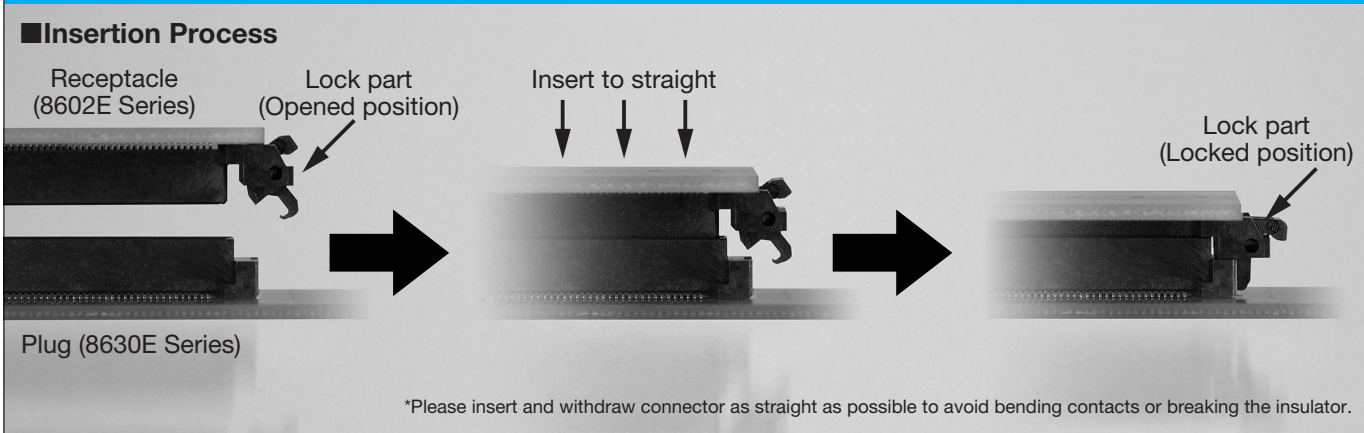
8602E - [] [] [] **S** - []

- Series name
8602E : Receptacle, Ejector type
0.635mm pitch 2 piece connector
- Contact tail style
S : Straight, SMT
- Number of contacts
060 : 60 pin
140 : 140 pin
160 : 160 pin
- P : With pick&place cap
Omit : Without pick&place cap

8630E - [] [] [] **S** - []

- Series name
8630E : Plug
0.635mm pitch 2 piece connector
- Contact tail style
S : Straight, SMT
- Number of contacts
060 : 60 pin
140 : 140 pin
160 : 160 pin
- P : With pick&place cap
Omit : Without pick&place cap

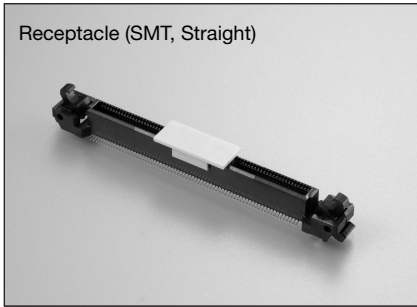
8602E Series Locking Ejector System



- **Way to insert** : Open the ejectors of 8602E Series and insert into 8630E Series until the latches fully engage.
- **Way to withdrawal** : Press on both sides of the 8602E Series ejectors to release the connector from the 8630E Series.

8602E-□□□S-□(Receptacle)

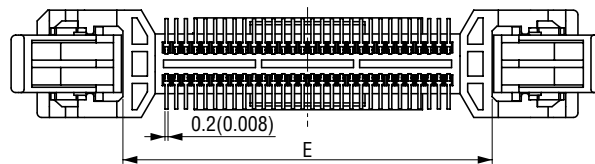
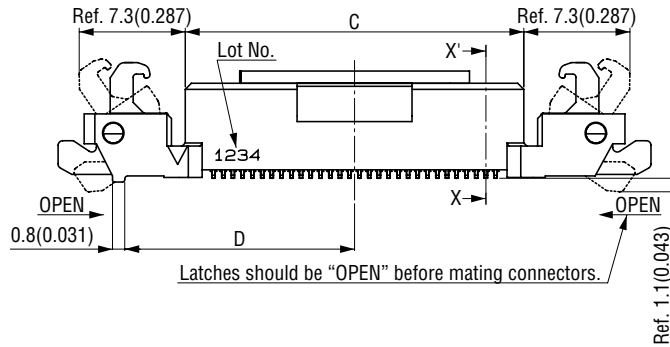
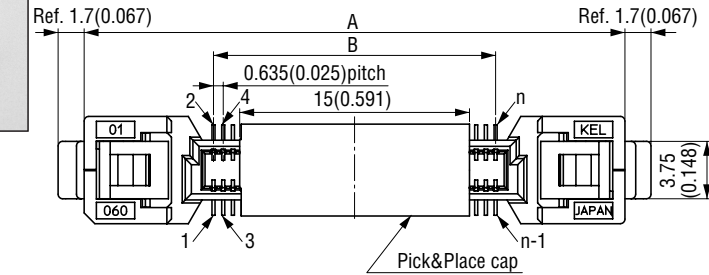
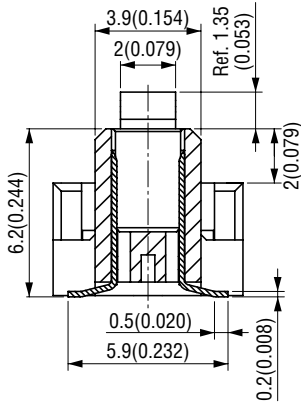
Unit:mm(inch)



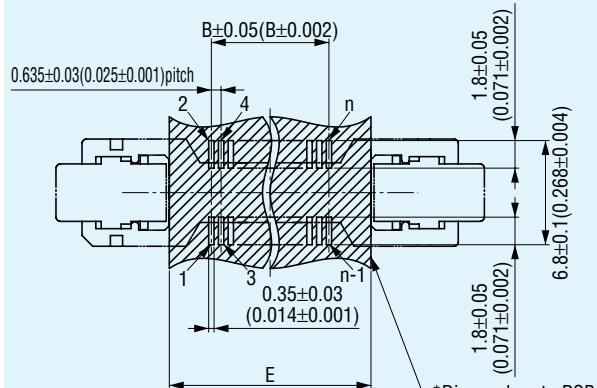
Receptacle (SMT, Straight)

*Figure of with pick&place cap type is used.

X-X' Cross Section



Printed Circuit Board Layout
(Component Side View)



"n" is number of contacts.

*Diagonal part : PCB

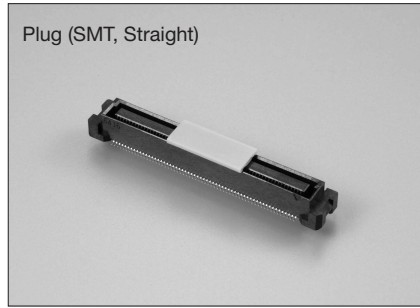
Packaging style
Tray

Product Table / Dimensions

No. of contacts	Part Number	A	B	C	D	E	Number of packaging
60	8602E-060S-□	35.30 (1.390)	18.415 (0.725)	22.10 (0.870)	15.000 (0.591)	24.10 (0.949)	50
140	8602E-140S-□	60.70 (2.390)	43.815 (1.725)	47.50 (1.870)	27.700 (1.091)	49.50 (1.949)	30
160	8602E-160S-□	67.05 (2.640)	50.165 (1.975)	53.85 (2.120)	30.875 (1.216)	55.85 (2.199)	30

8630E-□□□S-□(Plug)

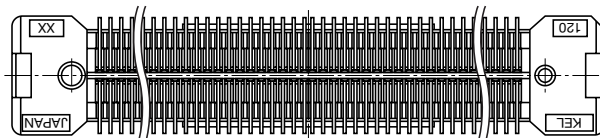
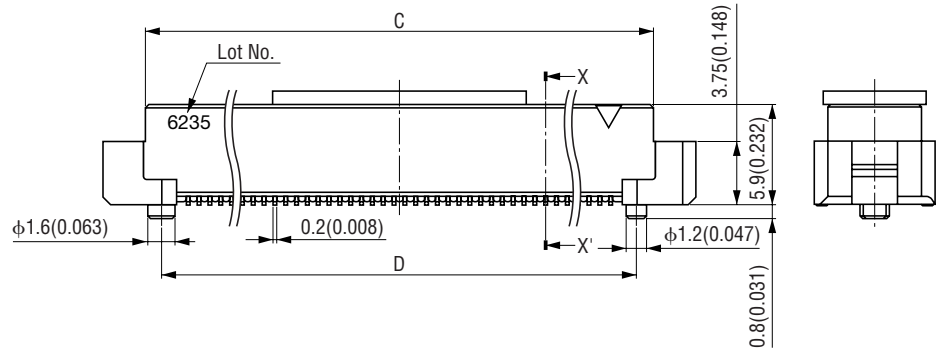
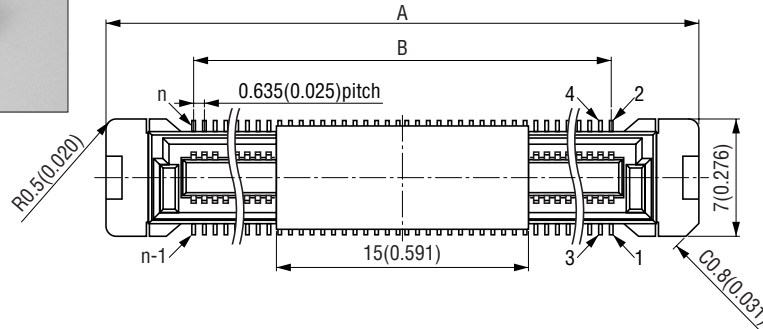
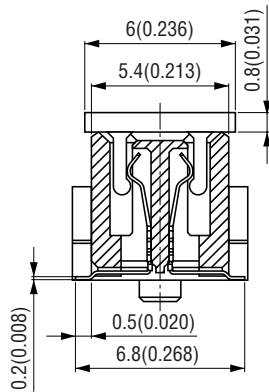
Unit:mm(inch)



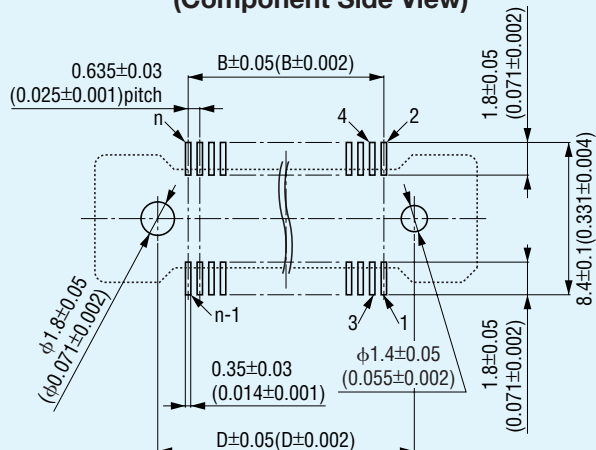
Plug (SMT, Straight)

*Figure of with pick&place cap type is used.

X-X' Cross Section



Printed Circuit Board Layout (Component Side View)



"n" is number of contacts.

Packaging style
 Tray

Product Table / Dimensions

No. of contacts	Part Number	A	B	C	D	Number of packaging
60	8630E-060S-□	28.70 (1.130)	18.415 (0.725)	23.70 (0.933)	21.70 (0.854)	50
140	8630E-140S-□	54.10 (2.130)	43.815 (1.725)	49.10 (1.933)	47.10 (1.854)	30
160	8630E-160S-□	60.45 (2.380)	50.165 (1.975)	55.45 (2.183)	53.45 (2.104)	30