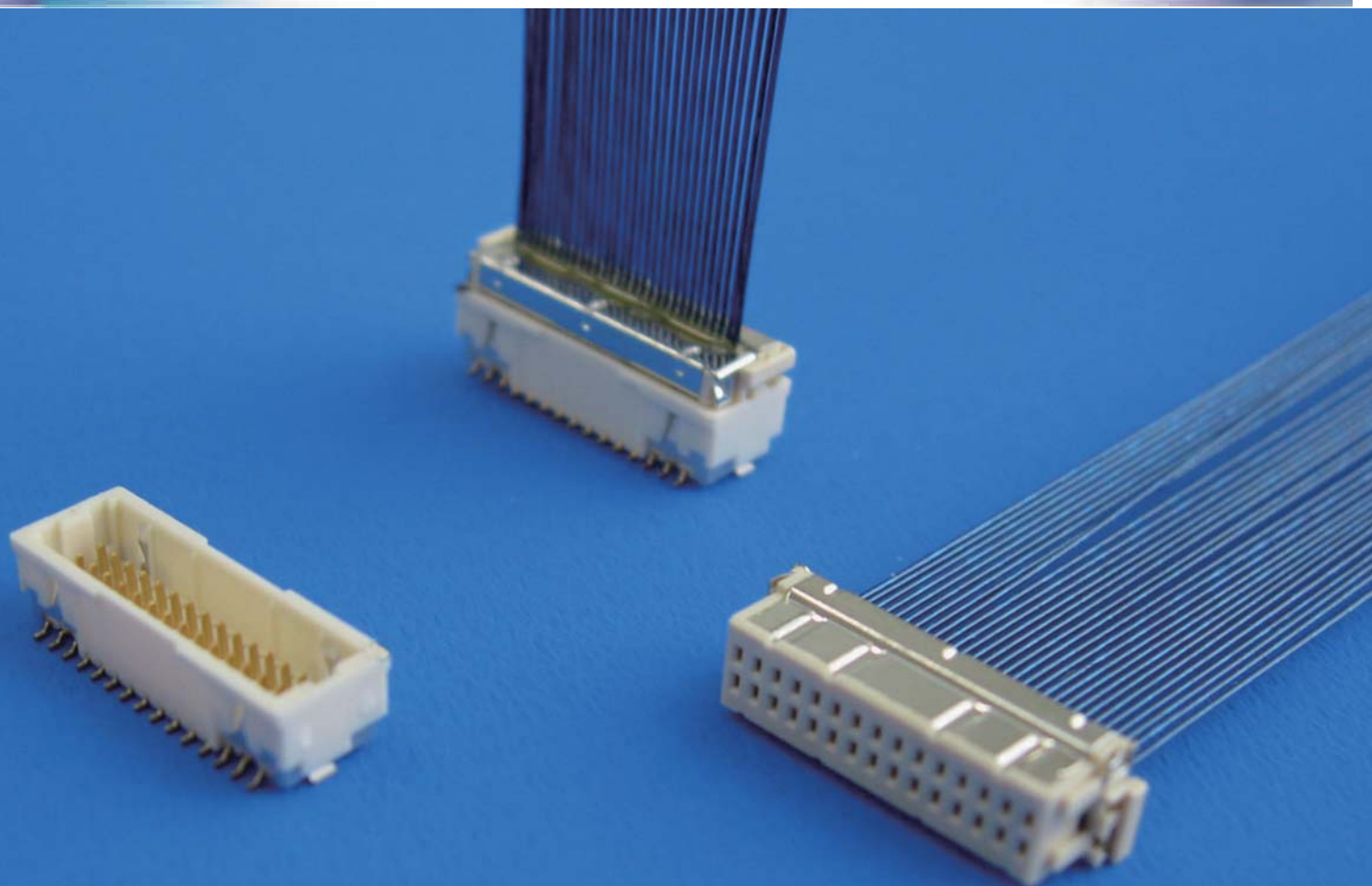


DUALCOAX SERIES CONNECTOR

SGC(Small Gauge Coaxial) Cable
TWINCOAX Cable
DISCRETE Cable

RoHS Compliance

Halogen-Free *1



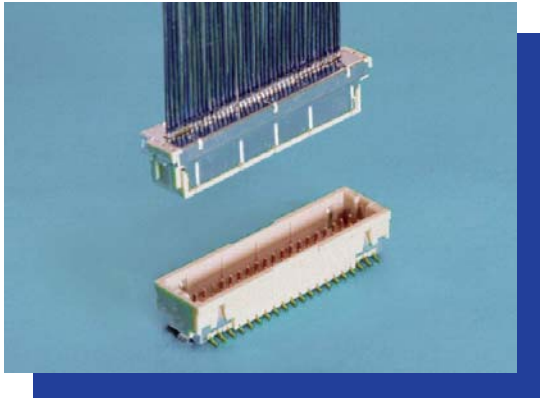
* 1..... [Halogen-Free]

Halogen-free definition : I-PEX applies and judges as "halogen-free" in accordance with IEC 61249-2-21

- Br 900ppm Max.
- Cl 900ppm Max.
- TTL concentration [Br+Cl]1500ppm Max.

DUALCOAX

1.0mm Pitch Vertical Type



- 1.0mm Pitch SGC Connector
- Dual-row Contact
- Impedance matching and strong EMI performance with METAL SHELL and Ground
- Soldering connection

【Overview】

Connector Set (for Cable)

HOUSING P/N	SHELL A P/N	SHELL B P/N	Product Name	POS.	Applicable Cable	Cable Size	Mating No.
20256-0**T-00F	1791-0**1F	-	DUALCOAX	30p 40p	SGC	#32, #34, #36, #38, #40	20265-H**E-**F
20282-0**T-00F		1792-0**1F	(SHELL ass'y after soldered the cable type)		TWINCOAX	#40	
					DISCRETE	#32, #36	
20282-030T-00F	1849-0301F	1850-0301	DUALCOAX R/A type	30p	SGC	#36, #38, #40	20265-H**E-**F
					TWINCOAX	#40	
20384-040T-00F	2213-0401F	-	DUALCOAX H type	40p	SGC	#32, #34, #36, #38, #40	20381-H40E-00F
					TWINCOAX	#40	
					DISCRETE	#32, #36	
20297-050T-**F	1877-0501F	1878-0501	DUALCOAX H R/A type	50p	SGC	(#32), #36, #38, #40	20298-H50E-00F
					TWINCOAX	#40	

HEADER Connector Set (for Board)

Part No.	Product Name	Mating No.
20265-H**E-**F	DUALCOAX	20257-0**B-00F
		20316-0**B-00F
		20281-030B-00F
20381-H40E-00F	DUALCOAX H type 40p	20383-040E-00F
20298-H50E-00F	DUALCOAX H type 50p	20296-050E-**F

【Material / Finish】

Product	Parts	Material	Plating / Color
Cable Side	HOUSING	LCP UL94V-0	NATURAL
	CONTACT	COPPER ALLOY	Au
	SHELL A	COPPER ALLOY	Sn
	SHELL B	COPPER ALLOY	Sn
HEADER (for PC Board)	HOUSING	LCP UL94V-0	NATURAL
	COVER	LCP UL94V-0	NATURAL
	CONTACT	COPPER ALLOY	Au Flash
	HOLD DOWN	COPPER ALLOY	Sn

DUALCOAX

Cable Side

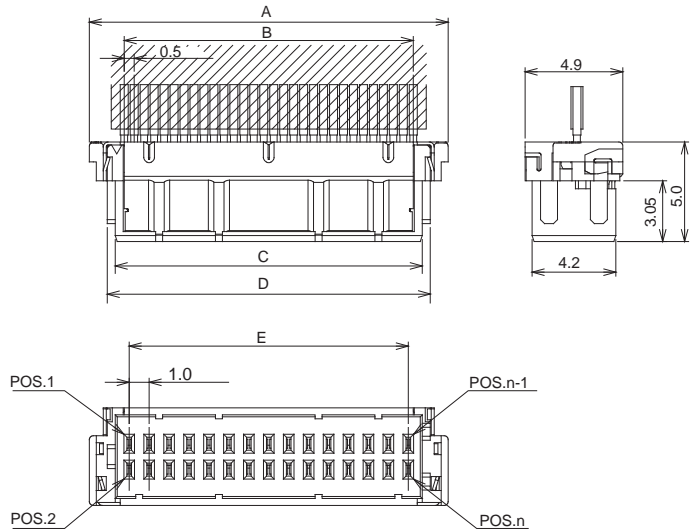
Parts Ordering (HOUSING)

20256- 0 ** T-00F
 ① ②

Parts Ordering (SHELL A)

1791-01F**
 ①

①	POS.	30 : 30p	40 : 40p
②	Packaging	T	Tray



- SHELL A / B
 assy after solderd the cable type-

Parts Ordering (HOUSING)

20282- 0 ** T-00F
 ① ②

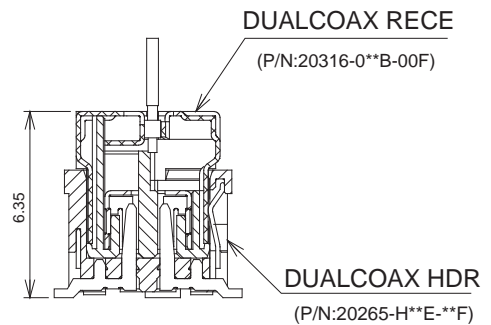
Parts Ordering (SHELL A)

1791-01F**
 ①

Parts Ordering (SHELL B)

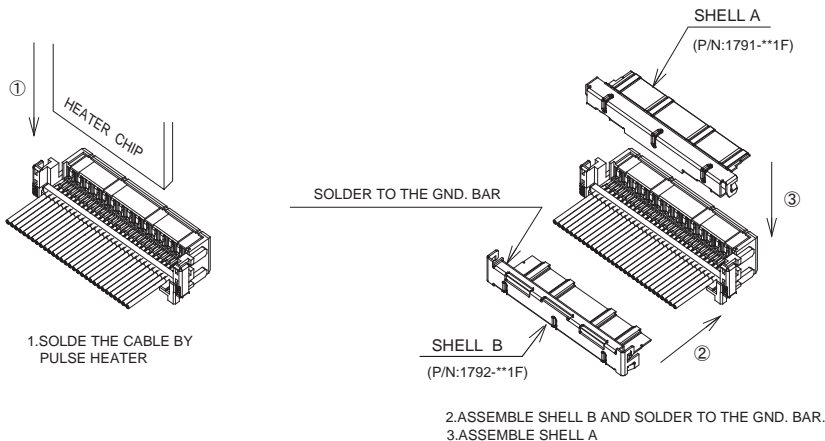
1792-01F**
 ①

POS.	A	B	C	D	D
30p	18.0	14.5	15.4	16.2	14.0
40p	23.0	19.5	20.4	21.2	19.0



MATED VIEW

METHOD OF CABLE ASS'Y



DUALCOAX

Cable Side

- Right Angle type (30p Only) -

Parts Ordering (HOUSING)

20282-030 T-00F

① ②

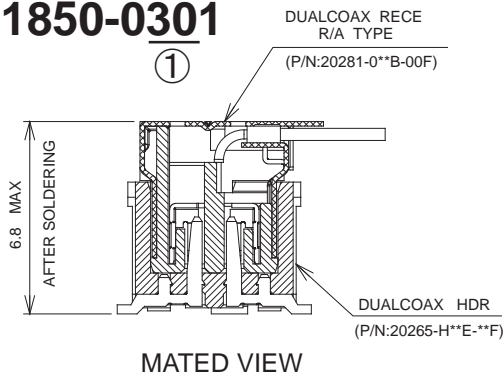
Parts Ordering (SHELL A)

1849-0301F

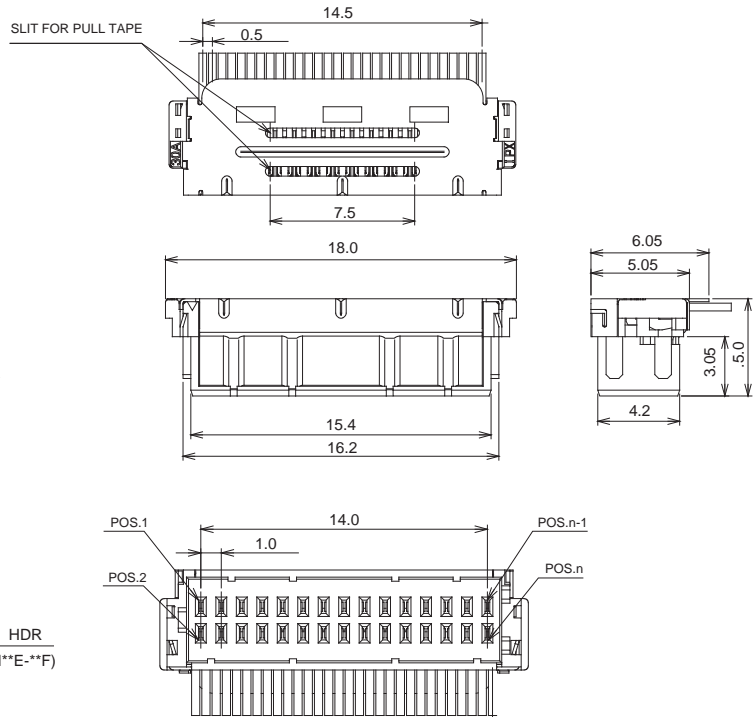
①

Parts Ordering (SHELL B)

1850-0301



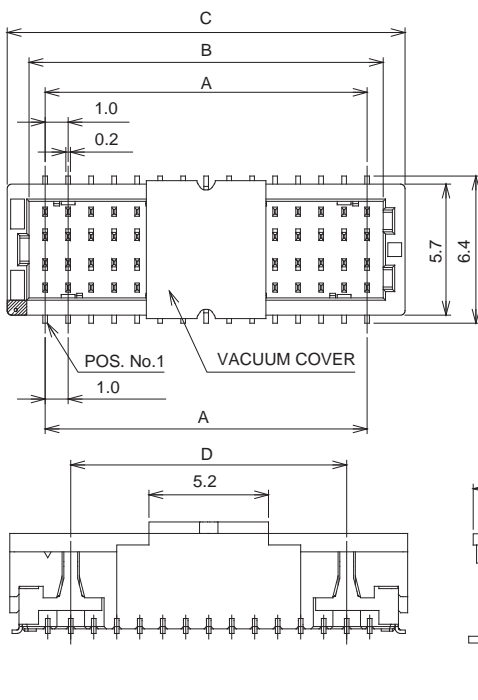
①	POS.	30 : 30p	
②	Packaging	T	Tray



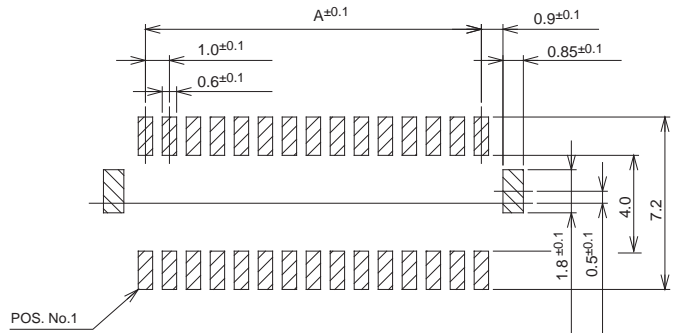
HEADER

20265- H ** E- ** F

① ② ③



①	POS.	30 : 30p	40 : 40p
②	Packaging	E	Emboss Tape
③	Marking	00	Without
		02	With (30p Only)



POS.	A	B	C	D
30p	14.0	15.4	17.3	12.0
40p	19.0	20.4	22.3	17.0

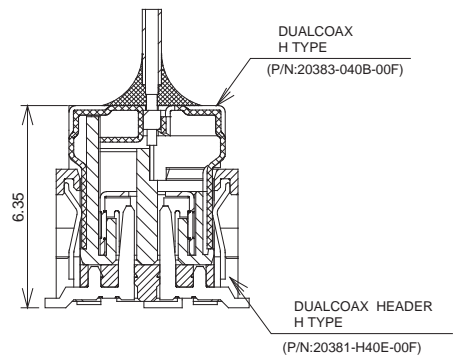
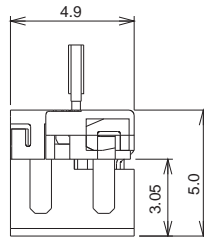
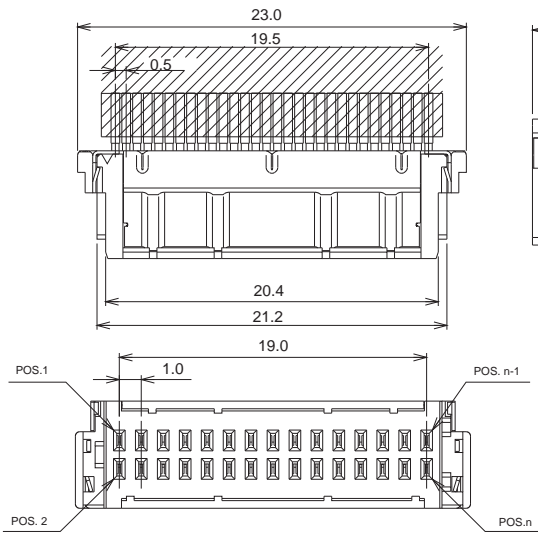
DUALCOAX H type

Cable Side

Parts Ordering (HOUSING)
20384- 040 T-00F
 ① ②

①	POS.	40 : 40p	
②	Packaging	T	Tray

Parts Ordering (SHELL A)
2213-0401F
 ①

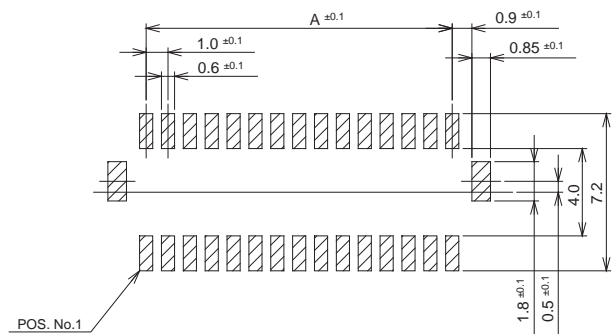
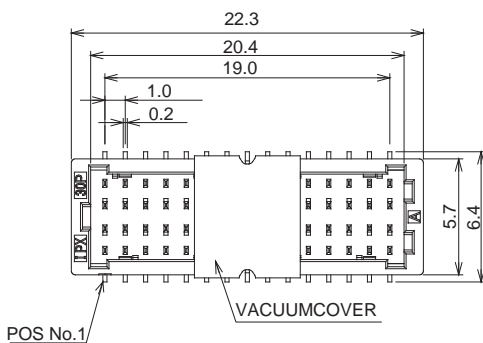


MATED VIEW

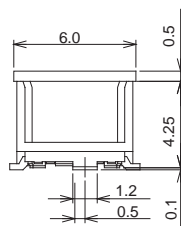
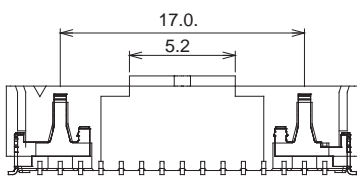
HEADER

20381- H40 E-00F
 ① ②

①	POS.	40 : 40p	
②	Packaging	E	Emboss Tape



RECOMMENDED PATTERN LAYOUT



DUALCOAX H Right Angle type

Cable Side

Parts Ordering (HOUSING)

20297-050 T- ** F

① ② ③

Parts Ordering (SHELL A)

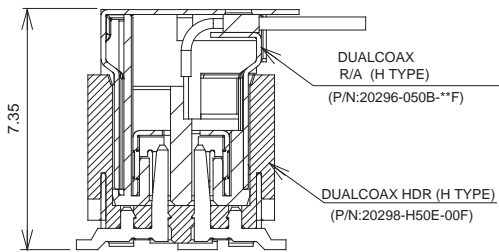
1877-0501F

①

Parts Ordering (SHELL B)

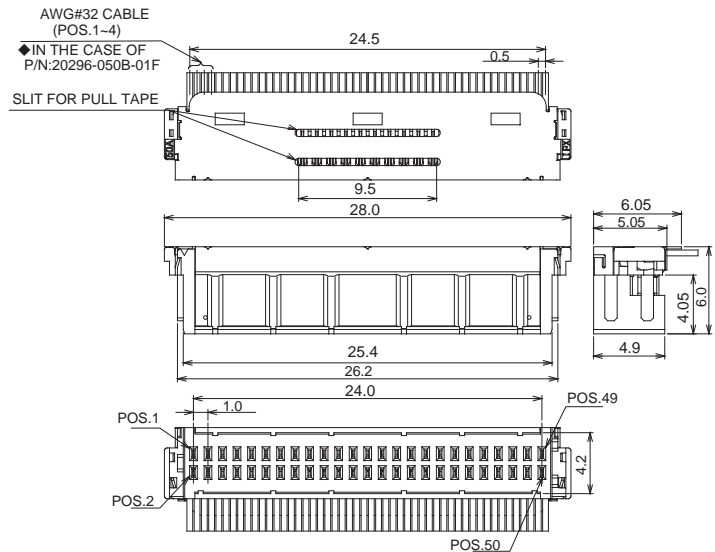
1878-0501

①



MATED VIEW

①	POS.	50 : 50p	
②	Packaging	T	Tray
③	Cable Size	00	AWG#36~#40 (ALL)
		01	AWG#32 (POS.1~4) AWG#36~#40 (OTHERS)

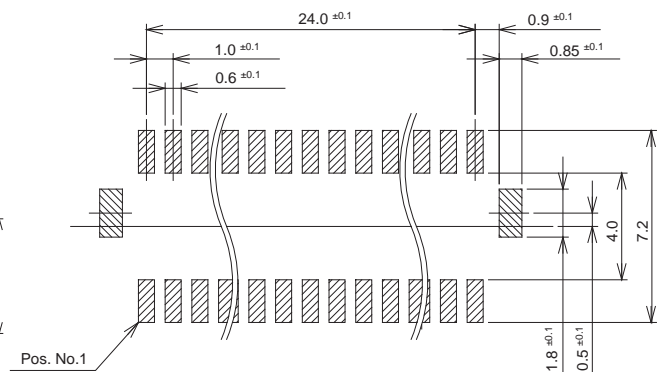
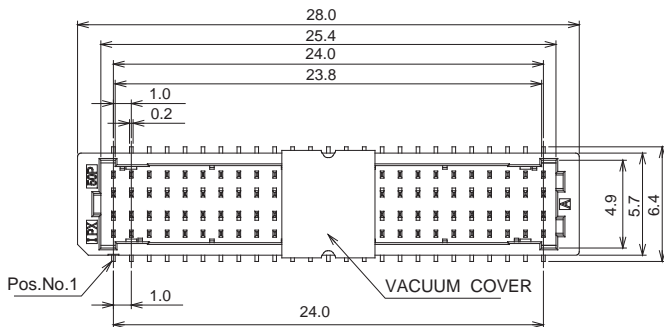


HEADER

20298-H50 E-00F

① ②

①	POS.	50 : 50p	
②	Packaging	E	Emboss Tape



RECOMENDED PATTERN LAYOUT