



# DVI Connector

<b>1. Specifications</b>	302
<b>2. How to Order</b>	303
<b>3. Contact Pin Arrangement</b>	304
<b>4. Item List</b>	305

- DVI Connector (DVI-D) for Panel
- DVI Connector (DVI-D) Molded with Cable
- DVI Connector (DVI-I) for Panel
- DVI Connector (DVI-I) Molded with Cable



B.C.E. S.r.l. □

# SPECIFICATIONS

## DVI SERIES

DVI

No.	SPECIFICATIONS	STANDARD VALUE
01	Manufacturer Identifications	DVI-D Single and Dual Link, DVI-I Single and Dual Link
02	Description	Panel Mount and Molded with Cable
03	Current Rating	
04	Pin Configuration	DVI-D Single Link: 19 Contacts DVI-D Dual Link: 25 Contacts DVI-I Single Link: 23 Contacts DVI-I Dual Link: 29 Contacts
05	Material	Contacts: Copper Alloy, Gold Plated Connector Body: Nylon + GF, UL Recognized Shell: Steel, Nickel Plated
06	Temperature Range	Cable: -20°C to +80°C Connector Body: -20°C to +85°C
07	Waterproof Rating	IP67
08	Contact Resistance	≤ 20 mΩ
09	Insulation Resistance	≥ 1000 MΩ at DC 500V

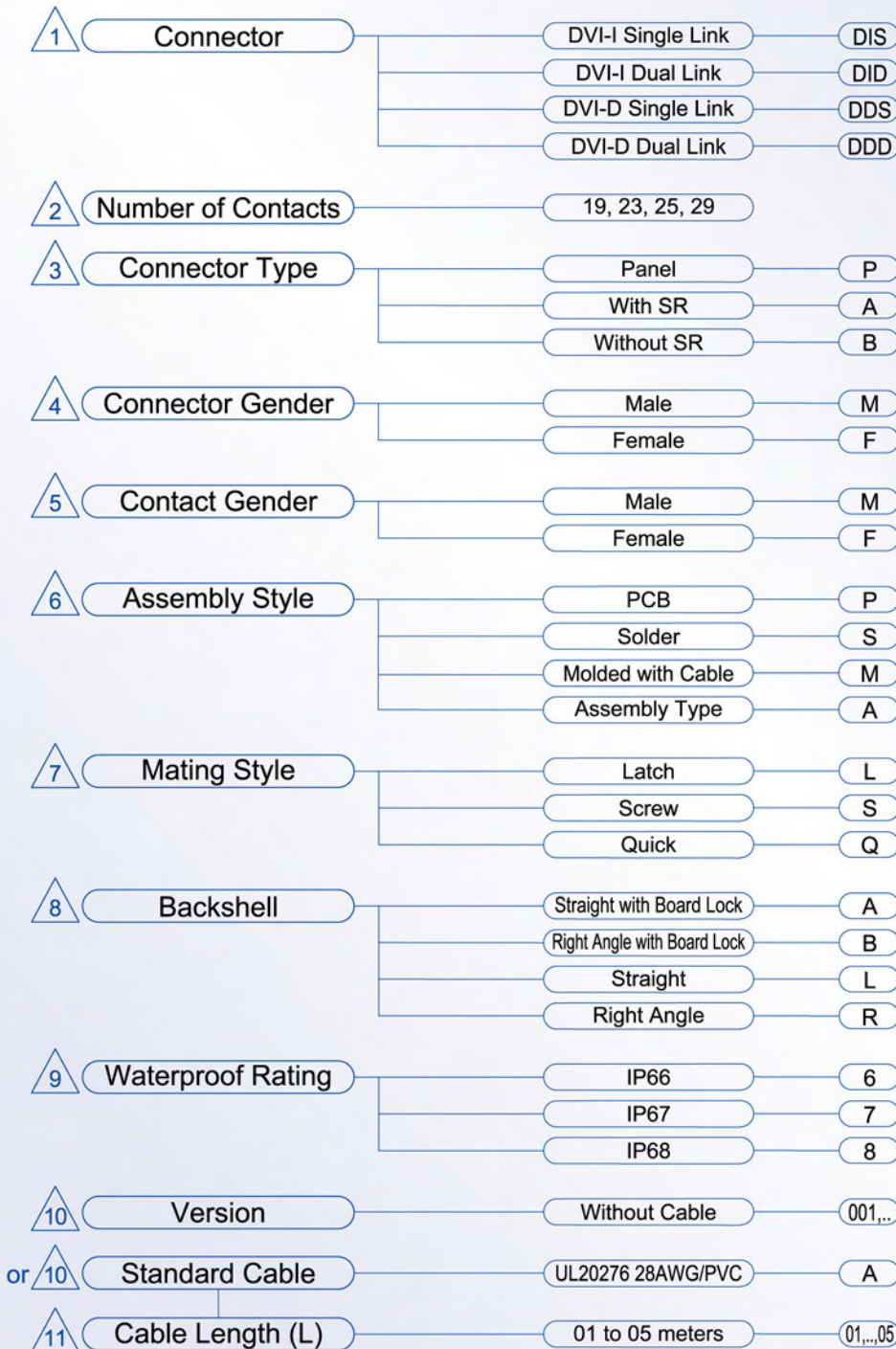
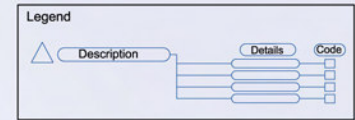
# HOW TO ORDER

## DVI CONNECTOR

LTW 1 - 2 3 4 5 6 - 7 8 9 10 11

LT : Liang Tei

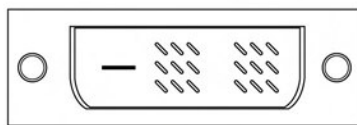
W : Waterproof



# CONTACT PIN ARRANGEMENTS

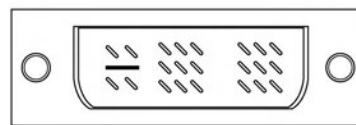
## DVI CONNECTOR

**DVI-D Single Link (DDS)**



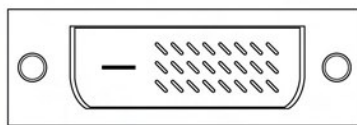
19 Contacts

**DVI-I Single Link (DIS)**



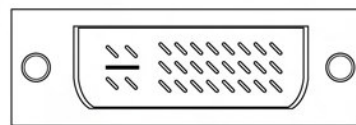
23 Contacts

**DVI-D Dual Link (DDD)**



25 Contacts

**DVI-I Dual Link (DID)**



29 Contacts

# ITEM LIST

## DVI CONNECTOR

Current Rating	Item Number	Number of Contacts	DESCRIPTION	Page	Old Item Number
DVI-D	Panel				
	LTW <sup>1-2</sup> PFFS-SL8001	19 (DDS) 25 (DDD)	Panel. Solder. Female Connector. Straight without Board Lock.	306	New Product
	Molded with Cable				
	LTW <sup>1-2</sup> AMMM-SL7A	19 (DDS) 25 (DDD)	With SR. Molded with Cable. Male Connector. Straight.	307	New Product
DVI-I	Panel				
	LTW <sup>1-2</sup> PFFS-SL8001	23 (DIS) 29 (DID)	Panel. Solder. Female Connector. Straight without Board Lock.	308	New Product
	Molded with Cable				
	LTW <sup>1-2</sup> AMMM-SL7A <sup>1</sup>	23 (DIS) 29 (DID)	With SR. Molded with Cable. Male Connector. Straight.	309	New Product

DVI

# DVI Connector - Digital: Panel Mount (Female)

LTW <sup>1</sup> - <sup>2</sup> PFFS- SL8001

New Product



## Specifications

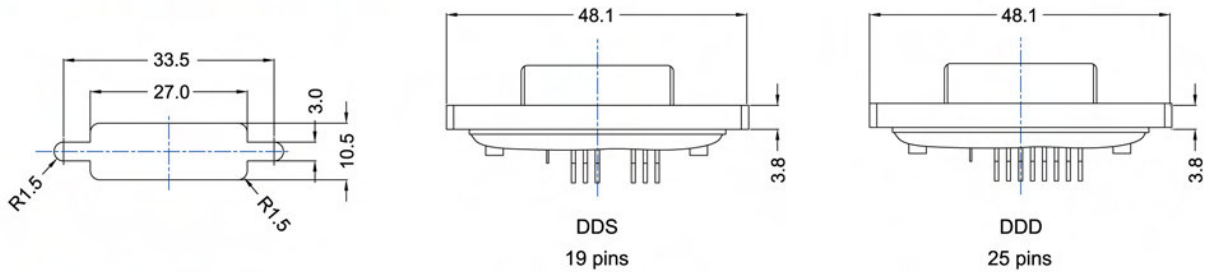
DESCRIPTION	DETAILS	CODE
<sup>1</sup> Connector	DVI-D Single Link (Digital)	DDS
	DVI-D Dual Link (Digital)	DDD
<sup>2</sup> Number of Contacts	DVI-D Single Link (Digital)	19
	DVI-D Dual Link (Digital)	25
3 Connector Type	Panel	P
4 Connector Gender	Female	F
5 Contact Gender	Female	F
6 Assembly Style	Solder	S
7 Mating Style	Screw	S
8 Backshell	Straight without Board Lock	L
9 Waterproof Rating	IP68	8
10 Version	PCB Type	001

SR= Strain Relief

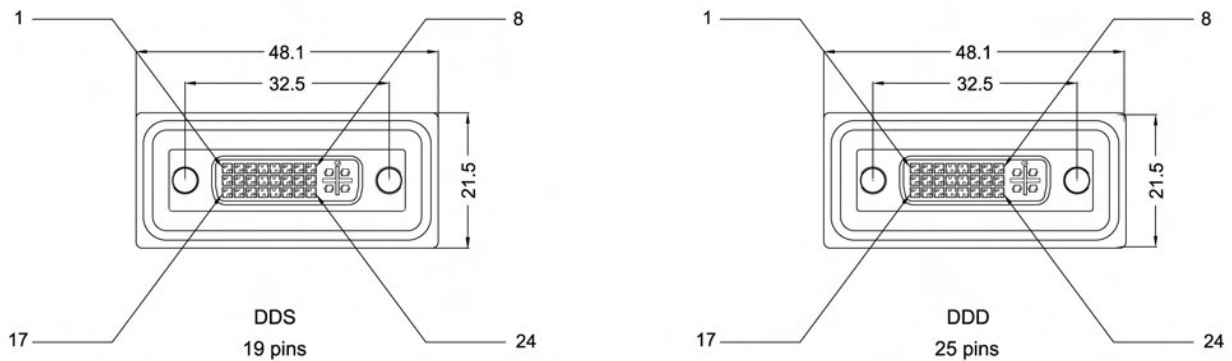
## Material

Conductor : Copper Alloy, Gold Plated  
 Connector Body : Nylon + GF, UL Recognized  
 Temperature Range : -20°C to 85°C

## Recommended Panel Cut-Out



## Pin Configurations



## Mating Parts



LTW <sup>1</sup> - <sup>2</sup> AMMM -SL7A <sup>11</sup>

See Item List

# DVI Connector - Digital: Molded with Cable (Male)

LTW <sup>1</sup>-<sup>2</sup>AMMM- SL7A <sup>11</sup>

New Product



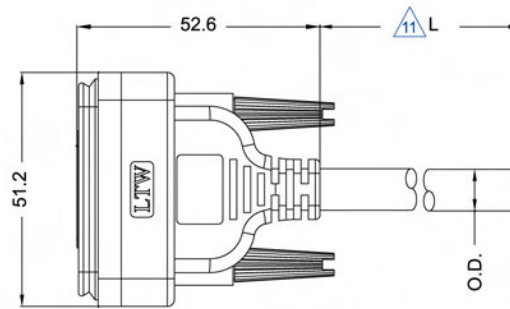
## Specifications

DESCRIPTION	DETAILS	CODE
<sup>1</sup> Connector	DVI-D Single Link (Digital)	DDS
	DVI-D Dual Link (Digital)	DDD
<sup>2</sup> Number of Contacts	DVI-D Single Link (Digital)	19
	DVI-D Dual Link (Digital)	25
3 Connector Type	With SR	A
4 Connector Gender	Male	M
5 Contact Gender	Male	M
6 Assembly Style	Molded with Cable	M
7 Mating Style	Screw	S
8 Backshell	Straight	L
9 Waterproof Rating	IP67	7
10 Standard Cable	UL20276 28 AWG/PVC	A
<sup>11</sup> Cable Length (L)	1 to 5 meters	01,...,05

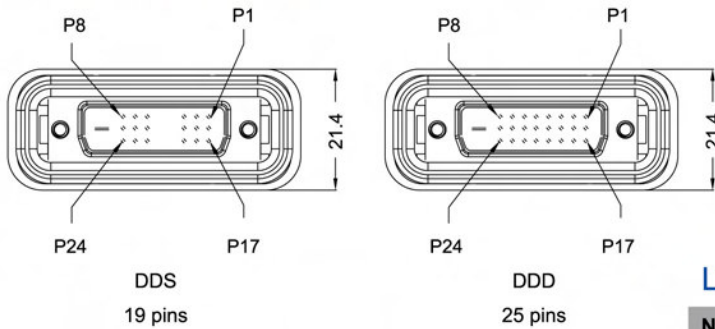
## Material

Conductor : Copper Alloy, Gold Plated  
 Connector Body : Nylon + GF, UL Recognized  
 Cable Temperature : -20°C to 80°C

SR= Strain Relief



## Pin Configurations



## LTW Standard Cable:

No. of Pins	Part no.	Type	Color	OD(mm)
19	WCA00010095	PVC	Black	7.3
25	WCA00010097	PVC	Black	8.5

Note: Please see Cable Index for further details

## Mating Parts



LTW <sup>1</sup>-<sup>2</sup>PFFS-SL8001

See Item List

DVI



# DVI Connector - Analog and Digital: Panel Mount (Female)

LTW  -  PFFS- SL8001

New Product



## Specifications

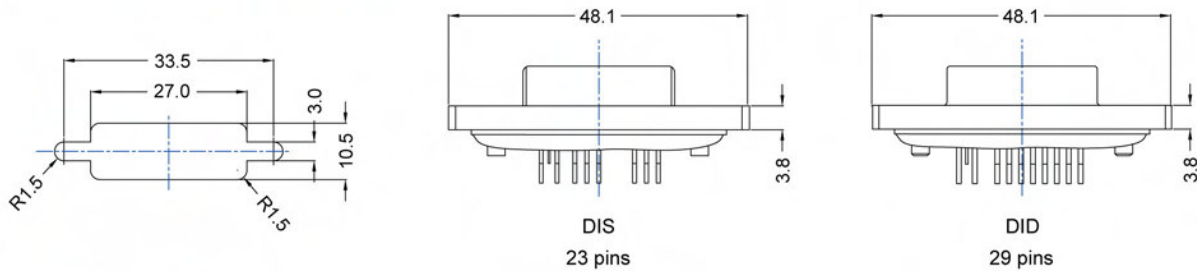
DESCRIPTION	DETAILS	CODE
 Connector	DVI-I Single Link (Analog/Digital)	DIS
	DVI-I Dual Link (Analog/Digital)	DID
 Number of Contacts	DVI-I Single Link (Analog/Digital)	23
	DVI-I Dual Link (Analog/Digital)	29
3 Connector Type	Panel	P
4 Connector Gender	Female	F
5 Contact Gender	Female	F
6 Assembly Style	Solder	S
7 Mating Style	Screw	S
8 Backshell	Straight without Board Lock	L
9 Waterproof Rating	IP68	8
10 Version	PCB Type	001

SR= Strain Relief

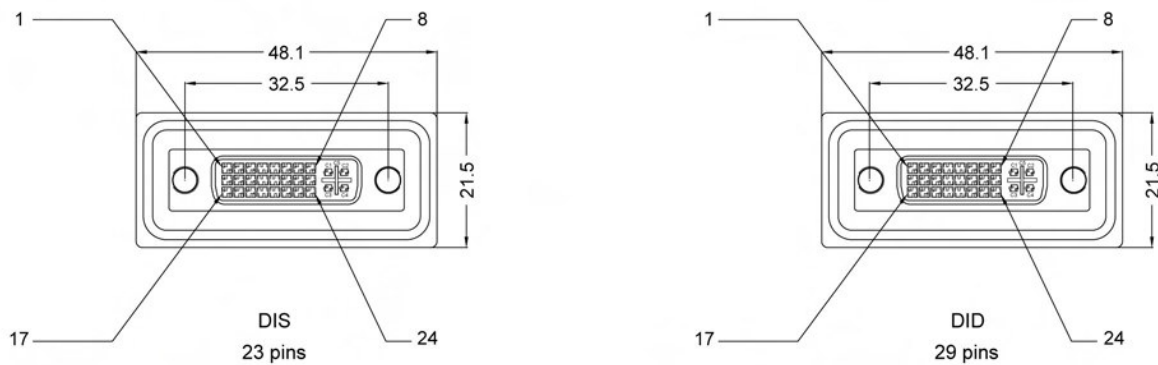
## Material

Conductor : Copper Alloy, Gold Plated  
 Connector Body : Nylon + GF, UL Recognized  
 Temperature Range : -20°C to 85°C

## Recommended Panel Cut-Out



## Pin Configurations



## Mating Parts



LTW  -  AMMM -SL7A 

See Item List

# DVI Connector - Analog and Digital: Molded with Cable (Male)

LTW <sup>1</sup> - <sup>2</sup> AMMM- SL7A <sup>11</sup>

New Product



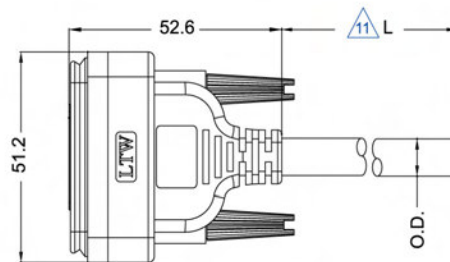
## Specifications

DESCRIPTION	DETAILS	CODE
<sup>1</sup> Connector	DVI-I Single Link (Analog/Digital)	DIS
	DVI-I Dual Link (Analog/Digital)	DID
<sup>2</sup> Number of Contacts	DVI-I Single Link (Analog/Digital)	23
	DVI-I Dual Link (Analog/Digital)	29
<sup>3</sup> Connector Type	With SR	A
<sup>4</sup> Connector Gender	Male	M
<sup>5</sup> Contact Gender	Male	M
<sup>6</sup> Assembly Style	Molded with Cable	M
<sup>7</sup> Mating Style	Screw	S
<sup>8</sup> Backshell	Straight	L
<sup>9</sup> Waterproof Rating	IP67	7
<sup>10</sup> Standard Cable	UL20276 28AWG/PVC	A
<sup>11</sup> Cable Length (L)	1 to 5 meters	01,...,05

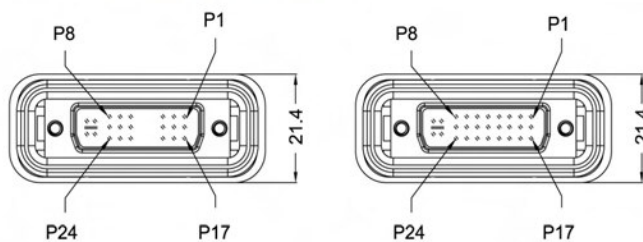
## Material

Conductor : Copper Alloy, Gold Plated  
 Connector Body : Nylon + GF, UL Recognized  
 Cable Temperature : -20°C to 80°C

SR= Strain Relief



## Pin Configurations



DIS  
23 pins

DID  
29 pins

## LTW Standard Cable:

No. of Pins	Part no.	Type	Color	OD(mm)
23	WCA00010096	PVC	Black	8.5
29	WCA00010098	PVC	Black	10.0

Note: Please see Cable Index for further details

## Mating Parts



LTW <sup>1</sup> - <sup>2</sup> PFFS-SL8001

See Item List

DVI