



RJ45 Connector

1. Specifications _____ 139

2. How to Order _____ 140

3. Item List _____ 141

RJ45 for Panel

RJ45 Molded with Cable

RJ45 for Field Installable

RJ45 Network Solutions



SPECIFICATIONS

RJ45 SERIES

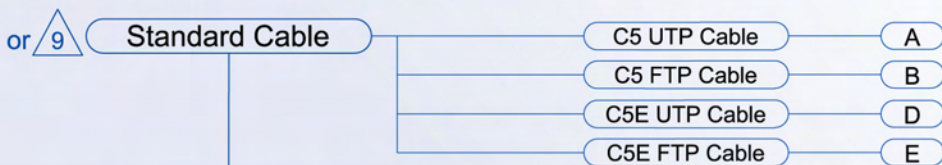
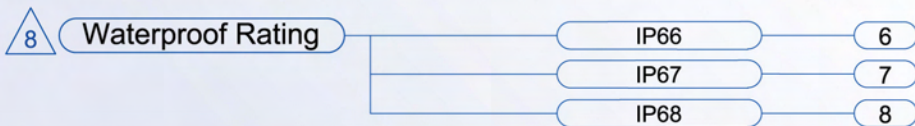
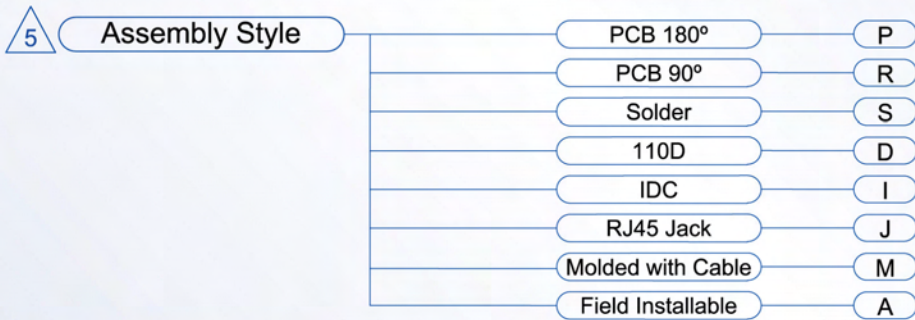
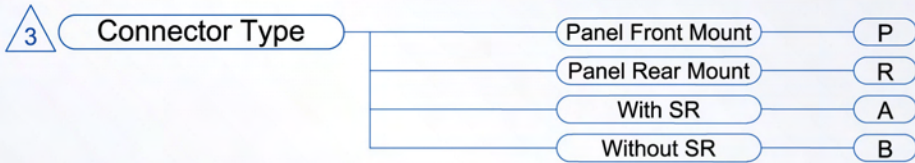
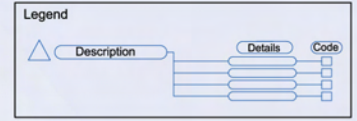
No.	SPECIFICATIONS	STANDARD VALUE
01	Manufacturer Identifications	RJ45 Jack and Plug
02	Description	Panel Mount, Molded with Cable and Field Installable
03	Data	100 Base T, 100 Base T and 1000 Base T Networks Cat 5E per TIA/EIA 568B ClassD per ISO/IEC 11801
04	Category	Cat. 5, Cat. 5E, Cat. 6
05	Material	Contacts: Copper Alloy with Gold Plated Connector Body: PBT(Jack), Polycarbonate(Plug)
06	Temperature Range	-20°C to +80°C
07	Waterproof Rating	IP67, IP68
08	Durability	500 Cycles
09	Flame Test	UL / CSA FT4 Flame Test
10	Thermal shock	5 Cycles at -20°C to +80°C
11	Salt Spray	48 hrs

HOW TO ORDER

RJ CONNECTOR

LTW 1 - 2 3 4 5 6 - 7 8 9 10

LT : Liang Tei W : Waterproof



RJ45 SERIES

RJ45

Item Number	Category	DESCRIPTION	Page	Old Item Number
Panel				
LTW ¹ -5EPFFP-LC7001	5E	Front Mount. Shielded or Unshielded. RJ45 Jack. Circular Backshell.	142	New Product
LTWRJ- ² PFFD-SS7001	5E or 06	Front Mount. Unshielded. 110D. Square Backshell.	143	New Product
LTWRJS- ² PFFD-S ⁷ ⁹ 7001	5E or 06	Front Mount. Shielded. 110D. Circular or Square Backshell.	144	New Product
LTW ¹ -5EPFF ⁵ -SC7 ⁹	5E	Front Mount. Shielded or Unshielded. 110D or RJ45 Jack. Circular Backshell.	145	LTWRJ45-1U2(1 or 3)(S or R)X
LTWRJS-5EPFFJ-SC7 ⁹	5E	Front Mount. Shielded. RJ45 Jack. Circular Backshell With Plug	146	New Product
LTWRJS- ² PFF ⁵ -SS7 ⁹	00 or 5E	Front Mount. Shielded. 110D, RJ45 Jack or PCB 90°. Square Backshell.	147	LTWRJ45-2F11RX, 3F13SX, 4FX3RX
LTWRJS-5EPFFJ-SS7002	5E	Front Mount. Shielded. RJ45 Jack . Square Backshell With Plug.	148	New Product
Molded with Cable				
LTW ¹ - ² BMMM-SL7 ⁹ ¹⁰	05 or 5E	Without SR. Shielded or Unshielded. Plug Connector. Straight.	149	LTWPL-4U ³ MU1M
LTWRJS- ² AMMM-S ⁷ ⁷ ⁹ ¹⁰	05 or 5E	With SR. Shielded. Plug Connector. Straight or Right.	150	LTWPL-8F ³ MS1M
LTW ¹ -5EAMMM-L ⁷ ⁷ ⁹ ¹⁰	5E	With SR. Shielded or Unshielded. Plug Connector. Straight or Right.	151	New Product
LTW ¹ -5EAFFM-SL7 ⁹ ¹⁰	5E	With SR. Shielded or Unshielded. Jack Connector. Straight.	152	New Product
Field Installable				
LTWRJ-00AMMA-SL7001	00	With SR. Plug Connector. Straight.	153	LTWPL-8FXALXX
LTWRJ-00AMMA-SL7002	00	With SR. Plug Connector. Straight.	154	New Product
LTWRJ-00BMMA-SL7 ⁹	00	Without SR. Plug Connector. Straight.	155	New Product
LTWRJ-00BMMA-SL7002	00	Without SR. Plug Connector. Straight.	156	New Product
LTWRJ-00BMMA-SL7004	00	Without SR. Plug Connector. Straight.	157	LTWPL-8FXASXX
LTWRJ-00BMMA-SL7005	00	Without SR. Plug Connector. Straight.	158	New Product
LTWRJ-00 ³ MMA-LL7001	00	With or Without SR. Plug Connector. Straight.	159	New Product
RJ45 Network Solutions				
LTWRJS-00PFFJ-SC7001	00	Front Mount. Shielded. Jack Connector. Circular.	160	New Product
LTWRJS-00PFFA-SC7001	00	Panel Mount. Shielded. Jack Connector. Straight.	161	New Product
LTWRJS-00BFFA-SL7001	00	Without SR. Shielded. Jack Connector. Straight.	162	New Product

RJ45 Jack: Panel Mount (Unmated Waterproof)


RJ45

LTW  -5EPFFP-LC7001

New Product



Specifications

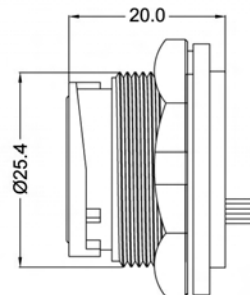
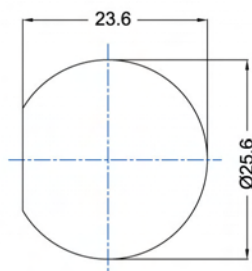
DESCRIPTION	DETAILS	CODE
 Connector	RJ45 or Shielded RJ45	RJ or RJS
2 Category	Cat. 5E	5E
3 Connector Type	Panel Front Mount	P
4 Connector Gender	Jack Connector	FF
5 Assembly Style	PCB 180°	P
6 Mating Style	Lock	L
7 Backshell	Circular	C
8 Waterproof Rating	IP67	7
9 Version	Without Cable	001

8, 9 Excluded in Old Part Number

Material

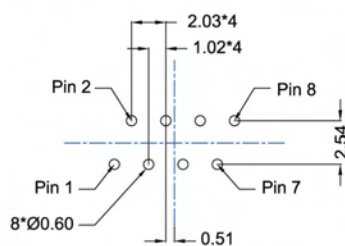
Pin : Copper Alloy with Gold Plated
 Connector Body : PBT
 Rated Temperature : -20 °C to 80 °C

Recommended Panel Cut-Out

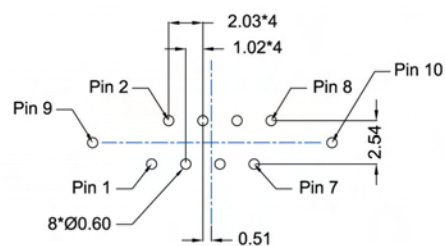


Panel Thickness Max: 4.0mm

PCB Layouts



Unshielded RJ 45



RJ 45

Mating Parts



LTW  -5EAMMM-L    

See Item List



LTWRJ-00  MMA-LL7001

See Item List

Unshielded RJ45 Jack: Panel Mount

LTWRJ-²PFFD-SS7001

New Product



Specifications

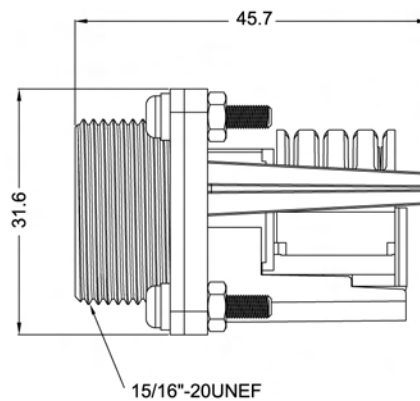
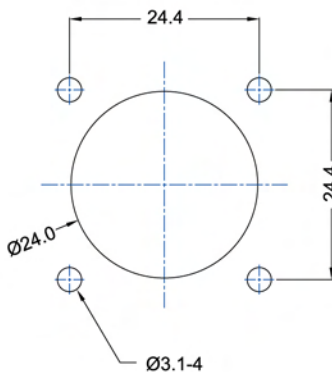
DESCRIPTION	DETAILS	CODE
1 Connector	RJ45	RJ
² Category	Cat. 5E or Cat. 6	5E or 06
3 Connector Type	Panel Front Mount	P
4 Connector Gender	Jack Connector	FF
5 Assembly Style	110D	D
6 Mating Style	Screw	S
7 Backshell	Square	S
8 Waterproof Rating	IP67	7
9 Version		001

8, 9 Excluded in Old Part Number

Material

Pin : Copper Alloy with Gold Plated
 Connector Body : PBT
 Rated Temperature : -20 °C to 80 °C

Recommended Panel Cut-Out



110D Type (D)

Panel Thickness Max :4.0mm

Mating Part



LTWRJ-00BMMA-SL7002

See Item List

Shielded RJ45 Jack: Panel Mount

RJ45

LTWRJS-²PFFD-S⁷7001

New Product



Specifications

DESCRIPTION	DETAILS	CODE
1 Connector	RJ45 Shielded	RJS
² Category	Cat. 5E or Cat. 6	5E or 06
3 Connector Type	Panel Front Mount	P
4 Connector Gender	Jack Connector	FF
5 Assembly Style	110D	D
6 Mating Style	Screw	S
⁷ Backshell	Circular or Square	C or S
8 Waterproof Rating	IP67	7
9 Version		001

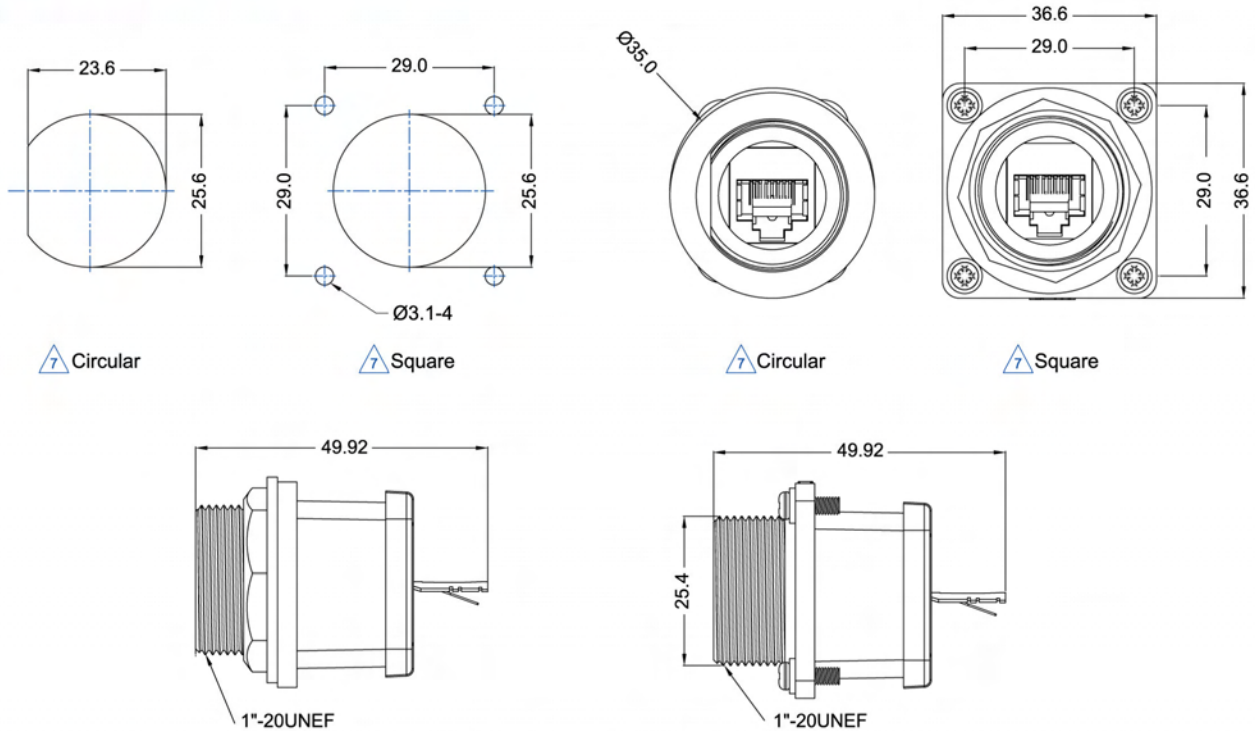
8, 9 Excluded in Old Part Number

Material

Connector Housing : Zinc

Rated Temperature : -20 °C to 80 °C

Recommended Panel Cut-Out



Panel Thickness Max: 4.0mm

Mating Parts



LTWRJ-00BMMMA-SL7⁹

See Item List

RJ45 Jack: Panel Mount (Mated Waterproof)

LTW ¹ -5EPFF ⁵ -SC7 ⁹

Old Part Number: LTWRJ45 - 1U2 (1 or 3)(S or R)X



Specifications

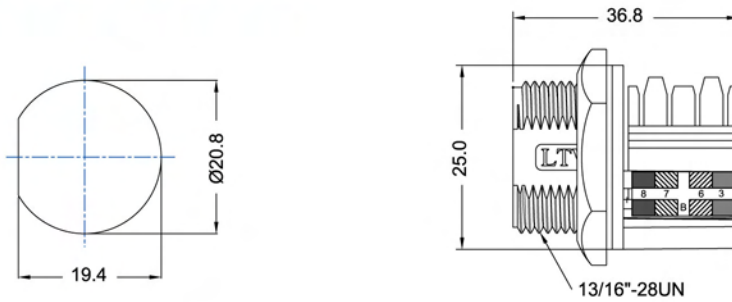
DESCRIPTION	DETAILS	CODE
¹ Connector	RJ45 or Shielded RJ45	RJ or RJS
² Category	Cat. 5E	5E
³ Connector Type	Panel Front Mount	P
⁴ Connector Gender	Jack Connector	FF
⁵ Assembly Style	110D or RJ45 Jack	D or J
⁶ Mating Style	Screw	S
⁷ Backshell	Circular	C
⁸ Waterproof Rating	IP67	7
⁹ Version		001, 002, 003

8, ⁹ Excluded in Old Part Number

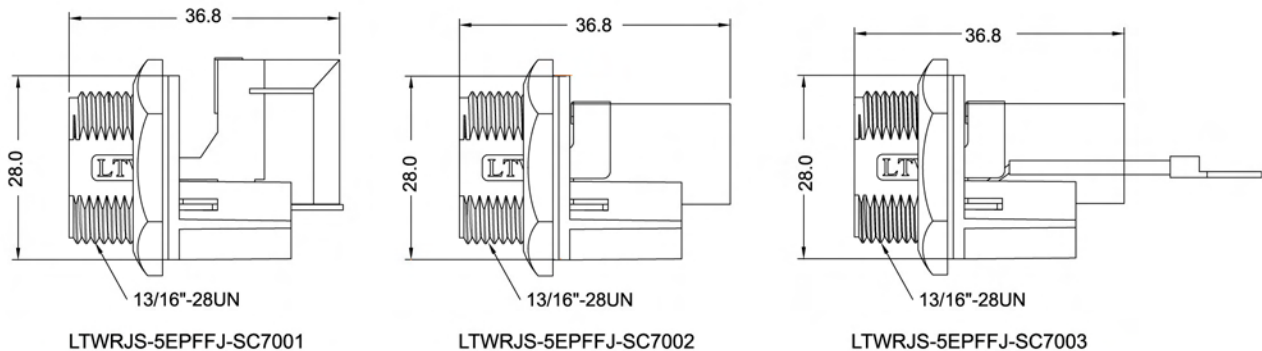
Material

Pin : Copper Alloy with Gold Plated
 Connector Body : PBT
 Rated Temperature : -20 °C to 80 °C

Recommended Panel Cut-Out



LTWRJ-5EPFFD-SC7001



Panel Thickness Max :3.5mm

Mating Parts



LTW ¹ -² BMMM-SL ⁹ ¹⁰

See Item List



LTWRJ-00AMMA-SL7002

See Item List



LTWRJ-00BMMA-SL7005

See Item List



See Item List

Accessory

Shielded RJ45 Jack: Panel Mount (Mated Waterproof)

RJ45

LTWRJS-5EPFFJ-SC7 ⁹

New Product



Specifications

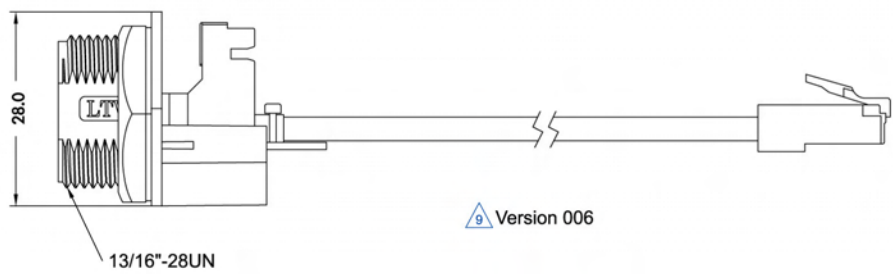
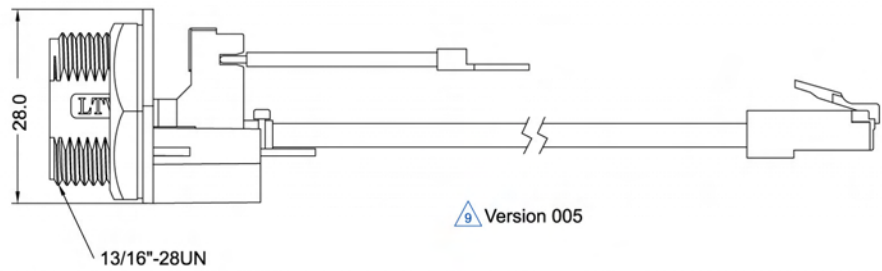
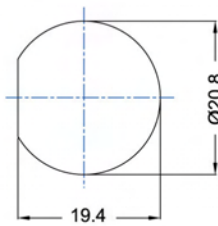
DESCRIPTION	DETAILS	CODE
1 Connector	Shielded RJ45	RJS
2 Category	Cat. 5E	5E
3 Connector Type	Panel Front Mount	P
4 Connector Gender	Jack Connector	FF
5 Assembly Style	RJ45 Jack	J
6 Mating Style	Screw	S
7 Backshell	Circular	C
8 Waterproof Rating	IP67	7
⁹ Version		005, 006

Material

Pin : Copper Alloy with Gold Plated
 Connector Body : PBT
 Rated Temperature : -20 °C to 80 °C

8, ⁹ Excluded in Old Part Number

Recommended Panel Cut-Out



Panel Thickness Max :3.5mm

Mating Parts



LTW¹-²BMMM-SL7⁹¹⁰

See Item List



LTWRJ-00AMMA-SL7002

See Item List



LTWRJ-00BMMMA-SL7005

See Item List

Accessory



See Item List

Shielded RJ45 Jack: Panel Mount



LTWRJS-²PFF⁵-SS7⁹

Old Part Numbers: LTWRJ45 -2F11RX (110D)
LTWRJ45 -3F13SX (In-Line)
LTWRJ45 -4FX3RX (PCB)

Specifications

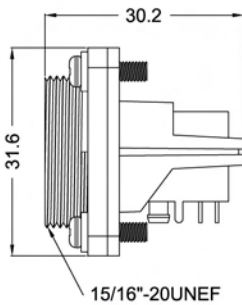
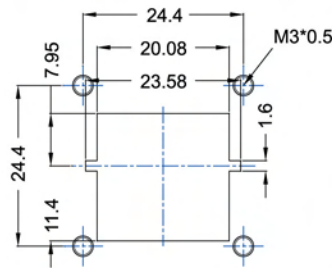
DESCRIPTION	DETAILS	CODE
1 Connector	RJ45 Shielded	RJS
² Category	00 or Cat. 5E	00 or 5E
3 Connector Type	Panel Front Mount	P
4 Connector Gender	Jack Connector	FF
⁵ Assembly Style	110D, RJ45 Jack or PCB 90°	D, J or R
6 Mating Style	Screw	S
7 Backshell	Square	S
8 Waterproof Rating	IP67	7
⁹ Version		001, 002

8, ⁹ Excluded in Old Part Number

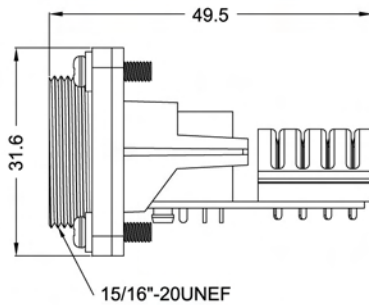
Material

Pin : Copper Alloy with Gold Plated
Connector Body : PBT
Rated Temperature : -20 °C to 80 °C

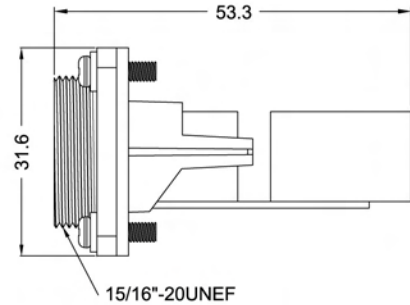
Recommended Panel Cut-Out



⁵ PCB Type
LTWRJS-00PFFR-SS7001



⁵ 110D Type
LTWRJS-5EPFFD-SS7002



⁵ Jack Type
LTWRJS-5EPFFJ-SS7001

Mating Parts



LTWRJS-²AMMM-S⁷⁹¹⁰
See Item List



LTWRJ-00AMMA-SL7001
See Item List



LTWRJ-00BMMA-SL7004
See Item List



See Item List

Accessory

Shielded RJ45 Jack: Panel Mount (Mated Waterproof)

RJ45

LTWRJS-5EPFFJ-SS7002

New Product



Specifications

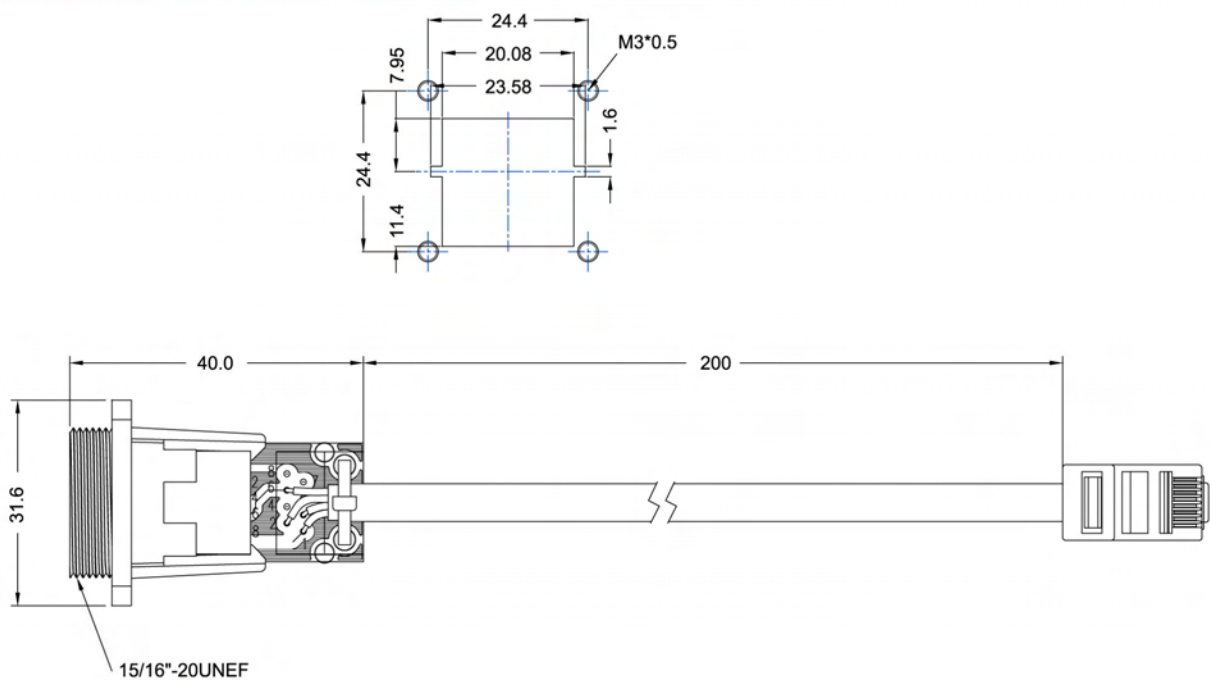
DESCRIPTION	DETAILS	CODE
1 Connector	RJ45 Shielded	RJS
2 Category	Cat. 5E	5E
3 Connector Type	Panel Front Mount	P
4 Connector Gender	Jack Connector	FF
5 Assembly Style	RJ45 Jack	J
6 Mating Style	Screw	S
7 Backshell	Square	S
8 Waterproof Rating	IP67	7
9 Version		002

8, 9 Excluded in Old Part Number

Material

Pin : Copper Alloy with Gold Plated
 Connector Body : PBT
 Rated Temperature : -20 °C to 80 °C

Recommended Panel Cut-Out



Mating Parts



LTWRJS-[2](#)AMMM-S [7](#) [9](#) [10](#)
See Item List



LTWRJ-00AMMA-SL7001
See Item List



LTWRJ-00BMMA-SL7004
See Item List



See Item List

Accessory

RJ45 Plug: Molded with Cable

LTW ¹ - ² BMMM-SL7 ⁹ ¹⁰

Old Part Number: LTWPL-4U ³ MU1M



Specifications

DESCRIPTION	DETAILS	CODE
¹ Connector	RJ45 or Shielded RJ45	RJ or RJS
² Category	Cat. 5 or Cat. 5E	05 or 5E
³ Connector Type	Without SR	B
⁴ Connector Gender	Plug Connector	MM
⁵ Assembly Style	Molded with Cable	M
⁶ Mating Style	Screw	S
⁷ Backshell	Straight	L
⁸ Waterproof Rating	IP67	7
⁹ Standard Cable	UTP or FTP (C5)	A or B
	UTP or FTP (C5E)	D or E
¹⁰ Cable Length (L)	1 to 99 meters	01,...,99

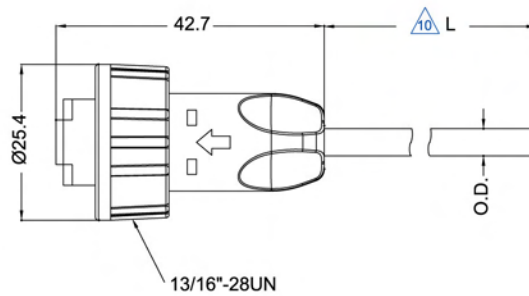
8, ⁹, ¹⁰ Excluded in Old Part Number

SR= Strain Relief

RJ45

Material

Pin : Copper Alloy with Gold Plated
 Connector Body : PC
 Rated Temperature : -20 °C to 80 °C



⁹ LTW Standard Cable (for UTP)

Cable	Part no.	Type	Color	OD(mm)
1	WCA0661UV01	PVC	Black	6.0
2	WCA0663UV01	PVC	Black	6.0

Note: Please see Cable Index for further details

⁹ LTW Standard Cable (for FTP)

Cable	Part no.	Type	Color	OD(mm)
1	WCA0662UV01	PVC	Black	6.5
2	WCA0664UV01	PVC	Black	6.5

Note: Please see Cable Index for further details

Mating Parts



LTWRJS-5EPFFJ-SC7 ⁹

See Item List



LTW ¹ -5EAFFM-SL7 ⁹ ¹⁰

See Item List



LTW ¹ -5EPFF ⁵ -SC7 ⁹

See Item List

Accessory



See Item List

Shielded RJ45 Plug: Molded with Cable

RJ45



LTWRJS-²AMMM-S⁷⁷⁹¹⁰

Old Part Number: LTWPL-8F³MS1M

Specifications

DESCRIPTION	DETAILS	CODE
1 Connector	Shielded RJ45	RJS
² Category	Cat. 5 or Cat. 5E	05 or 5E
3 Connector Type	With SR	A
4 Connector Gender	Plug Connector	MM
5 Assembly Style	Molded with Cable	M
6 Mating Style	Screw	S
⁷ Backshell	Straight or Right	L or R
8 Waterproof Rating	IP67	7
⁹ Standard Cable	UTP or FTP (C5)	A or B
	UTP or FTP (C5E)	D or E
¹⁰ Cable Length (L)	1 to 99 meters	01,...,99

8, ⁹, ¹⁰ Excluded in Old Part Number

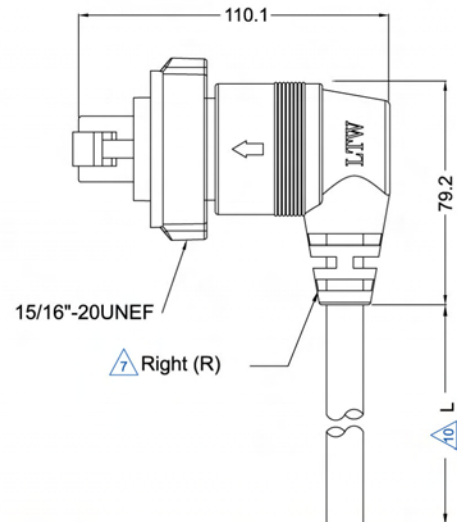
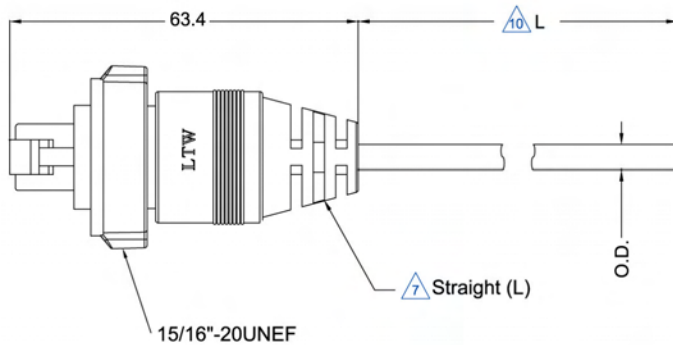
SR= Strain Relief

Material

Pin : Copper Alloy with Gold Plated

Connector Body : PC

Rated Temperature : -20 °C to 80 °C



⁹ LTW Standard Cable (for UTP)

Cable	Part no.	Type	Color	OD(mm)
A	WCA0661UV01	PVC	Black	6.0
D	WCA0663UV01	PVC	Black	6.0

Note: Please see Cable Index for further details

⁹ LTW Standard Cable (for FTP)

Cable	Part no.	Type	Color	OD(mm)
B	WCA0662UV01	PVC	Black	6.5
E	WCA0664UV01	PVC	Black	6.5

Note: Please see Cable Index for further details

Mating Parts



LTWRJS-²PFF⁵-SS⁷⁹

See Item List



LTWRJS-5EPFFJ-SS7002

See Item List

RJ45 Plug: Molded with Cable

LTW¹-5EAMMM-L⁷⁷⁹¹⁰

New Product



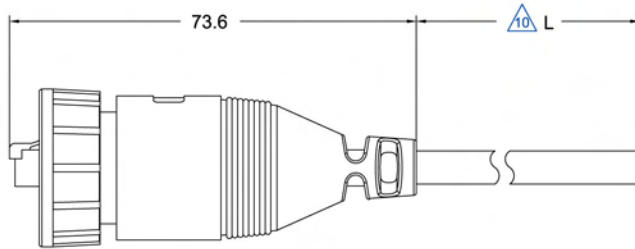
Specifications

DESCRIPTION	DETAILS	CODE
¹ Connector	RJ45 or RJ45 Shielded	RJ or RJS
² Category	Cat. 5E	5E
³ Connector Type	With SR	A
⁴ Connector Gender	Plug Connector	MM
⁵ Assembly Style	Molded with Cable	M
⁶ Mating Style	Lock	L
⁷ Backshell	Straight or Right	L or R
⁸ Waterproof Rating	IP67	7
⁹ Standard Cable	UTP or FTP (C5E)	D or E
¹⁰ Cable Length (L)	1 to 99 meters	01,...,99

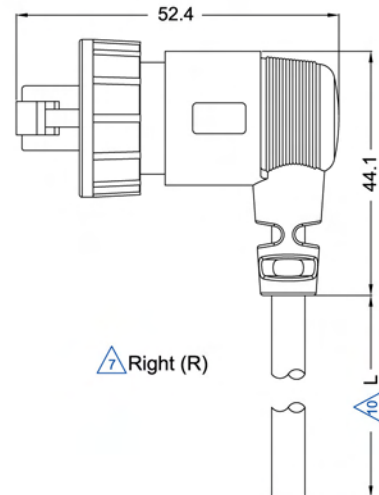
SR= Strain Relief

Material

Pin : Copper Alloy with Gold Plated
 Connector Body : PC
 Rated Temperature : -20 °C to 80 °C



⁷ Straight (L)



⁷ Right (R)

⁹ LTW Standard Cable (for UTP)

Cable	Part no.	Type	Color	OD(mm)
D	WCA0663UV01	PVC	Black	6.0

Note: Please see Cable Index for further details

⁹ LTW Standard Cable (for FTP)

Cable	Part no.	Type	Color	OD(mm)
E	WCA0664UV01	PVC	Black	6.5

Note: Please see Cable Index for further details

Mating Parts



LTW¹-5EPFFP-LC7001

See Item List

RJ45 Jack: Molded with Cable

RJ45

LTW ¹-5EAFFM-SL7 ⁹ ¹⁰

New Product



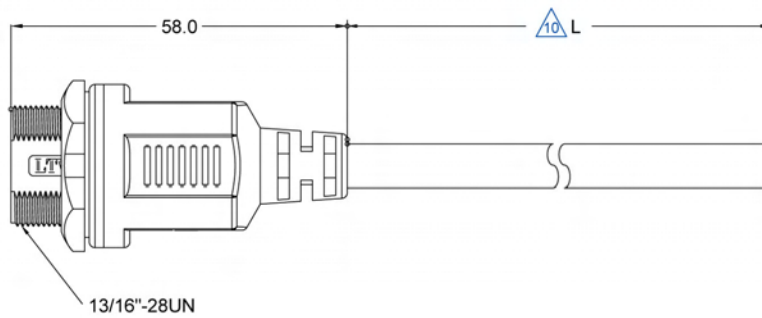
Specifications

DESCRIPTION	DETAILS	CODE
¹ Connector Type	RJ45 or Shielded RJ45	RJ or RJS
² Category	5E	5E
³ Connector Type	With SR	A
⁴ Connector Gender	Jack Connector	FF
⁵ Assembly Style	Molded with Cable	M
⁶ Mating Style	Screw	S
⁷ Backshell	Straight	L
⁸ Waterproof Rating	IP67	7
⁹ Standard Cable	UTP or FTP (C5E)	D or E
¹⁰ Cable Length (L)	1 to 99 meters	01,...,99

SR= Strain Relief

Material

Pin : Copper Alloy with Gold Plated
 Connector Body : PBT
 Rated Temperature : -20 °C to 80 °C



⁹ LTW Standard Cable (for UTP)

Cable	Part no.	Type	Color	OD(mm)
D	WCA0663UV01	PVC	Black	6.0

Note: Please see Cable Index for further details

⁹ LTW Standard Cable (for FTP)

Cable	Part no.	Type	Color	OD(mm)
E	WCA0664UV01	PVC	Black	6.5

Note: Please see Cable Index for further details

Mating Parts



LTW ¹-²BMMM-SL7 ⁹ ¹⁰

See Item List



LTWRJ-00AMMA-SL7002

See Item List



LTWRJ-00BMMMA-SL7005

See Item List



See Item List

Accessory

RJ45 Plug: Field Installable

LTWRJ-00AMMA-SL7001

Old Part Number: LTWPL - 8FXALXX



Specifications

DESCRIPTION	DETAILS	CODE
1 Connector	RJ45	RJ
2 Category	No Cable	00
3 Connector Type	With SR	A
4 Connector Gender	Plug Connector	MM
5 Assembly Style	Field Installable	A
6 Mating Style	Screw	S
7 Backshell	Straight	L
8 Waterproof Rating	IP67	7
9 Version	Without Cable	001

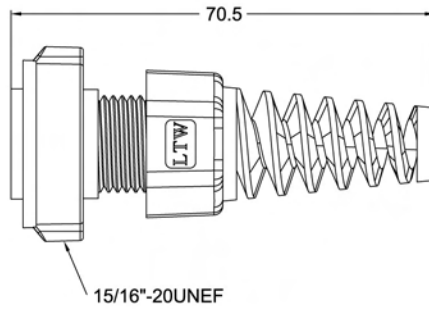
RJ45

Material

Rated Temperature : -20 °C to 80 °C

8, 9 Excluded in Old Part Number

SR= Strain Relief



Mating Parts



LTWRJS-[2](#)PFF[5](#)-SS7[9](#)

See Item List



LTWRJS-5EPFFJ-SS7002

See Item List

RJ45 Plug: Field Installable

RJ45

LTWRJ-00AMMA-SL7002

New Product



Specifications

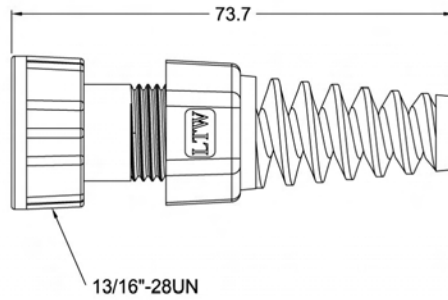
DESCRIPTION	DETAILS	CODE
1 Connector	RJ45	RJ
2 Category	No Cable	00
3 Connector Type	With SR	A
4 Connector Gender	Plug Connector	MM
5 Assembly Style	Field Installable	A
6 Mating Style	Screw	S
7 Backshell	Straight	L
8 Waterproof Rating	IP67	7
9 Version	Without Cable	002

Material

Rated Temperature : -20 °C to 80 °C

8, 9 Excluded in Old Part Number

SR= Strain Relief



Mating Parts



LTWRJS-5EPFFJ-SC7⁹

See Item List

LTW¹-5EAFFM-SL7⁹¹⁰

See Item List

LTW¹-5EPFF⁵-SC7⁹

See Item List

Accessories



See Item List

RJ45 Plug: Field Installable

LTWRJ-00BMMA-SL7 


New Product



Material

Rated Temperature : -20 °C to 80 °C

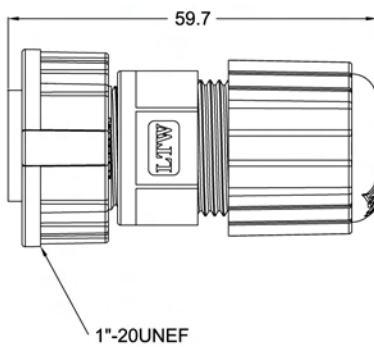
Specifications

DESCRIPTION	DETAILS	CODE
1 Connector	RJ45	RJ
2 Category	No Cable	00
3 Connector Type	Without SR	B
4 Connector Gender	Plug Connector	MM
5 Assembly Style	Field Installable	A
6 Mating Style	Screw	S
7 Backshell	Straight	L
8 Waterproof Rating	IP67	7
 Version	Without Cable	001 or 003

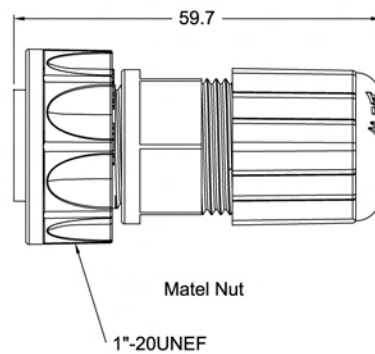
8,  Excluded in Old Part Number

SR= Strain Relief

 Version 001



 Version 003



Mating Parts



LTWRJS-PFFD-S-7001

See Item List

RJ45 Plug: Field Installable

RJ45

LTWRJ-00BMMA-SL7002

New Product



Specifications

DESCRIPTION	DETAILS	CODE
1 Connector	RJ45	RJ
2 Category	No Cable	00
3 Connector Type	Without SR	B
4 Connector Gender	Plug Connector	MM
5 Assembly Style	Field Installable	A
6 Mating Style	Screw	S
7 Backshell	Straight	L
8 Waterproof Rating	IP67	7
9 Version	Without Cable	002

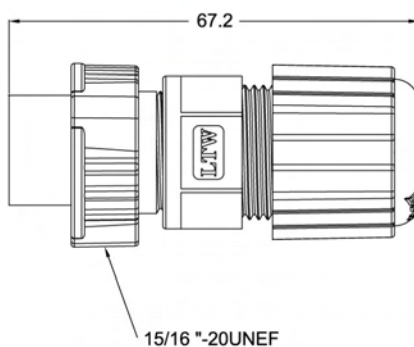
Material

Rated Temperature : -20 °C to 80 °C

8, 9 Excluded in Old Part Number

SR= Strain Relief

9 Version 002



Mating Parts



LTWRJ-△PFFD-SS7001

See Item List

RJ45 Plug: Field Installable

LTWRJ-00BMMMA-SL7004

Old Part Number:LTWPL-8FXASXX



Specifications

DESCRIPTION	DETAILS	CODE
1 Connector	RJ45	RJ
2 Category	No Cable	00
3 Connector Type	Without SR	B
4 Connector Gender	Plug Connector	MM
5 Assembly Style	Field Installable	A
6 Mating Style	Screw	S
7 Backshell	Straight	L
8 Waterproof Rating	IP67	7
9 Version	Without Cable	004

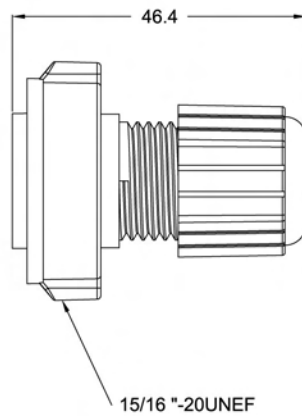
RJ45

Material

Rated Temperature : -20 °C to 80 °C

8, 9 Excluded in Old Part Number

SR= Strain Relief



Mating Parts



LTWRJS-[2](#)-PFF-[5](#)-SS7-[9](#)

See Item List



LTWRJS-5EPFFJ-SS7002

See Item List

RJ45 Plug: Field Installable

RJ45

LTWRJ-00BMMA-SL7005

New Product



Specifications

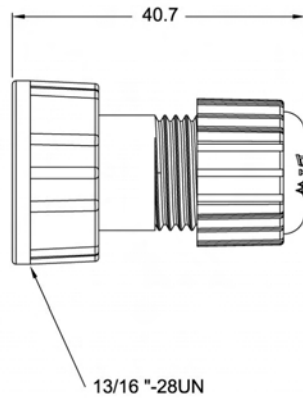
DESCRIPTION	DETAILS	CODE
1 Connector	RJ45	RJ
2 Category	No Cable	00
3 Connector Type	Without SR	B
4 Connector Gender	Plug Connector	MM
5 Assembly Style	Field Installable	A
6 Mating Style	Screw	S
7 Backshell	Straight	L
8 Waterproof Rating	IP67	7
9 Version	Without Cable	005

Material

Rated Temperature : -20 °C to 80 °C

8, 9 Excluded in Old Part Number

SR= Strain Relief



Mating Parts



LTW[△]5EPFF[△]5-SC7[△]9

See Item List



LTWRJS-5EPFFJ-SC7[△]9

See Item List



LTW[△]1-5EAFFM-SL7[△]9,10

See Item List

RJ45 Plug: Field Installable

LTWRJ-00 ³ MMA-LL7001

New Product



Specifications

DESCRIPTION	DETAILS	CODE
1 Connector	RJ45	RJ
2 Category	No Cable	00
³ Connector Type	With or Without SR	A or B
4 Connector Gender	Plug Connector	MM
5 Assembly Style	Field Installable	A
6 Mating Style	Lock	L
7 Backshell	Straight	L
8 Waterproof Rating	IP67	7
9 Version	Without Cable	001

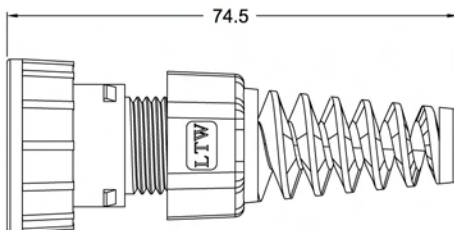
RJ45

Material

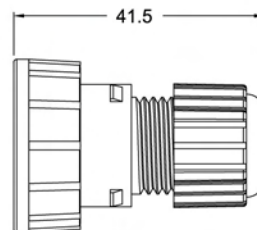
Rated Temperature : -20 °C to 80 °C

SR= Strain Relief

³ With SR (A)



³ Without SR (B)



Mating Parts



LTW ³ -5EPFFP-LC7001

See Item List

Shielded RJ45 Jack: Field Installable (Mated Waterproof)

RJ45

LTWRJS-00PFFJ-SC7001

New Product
RJ45 Network Solutions



Specifications

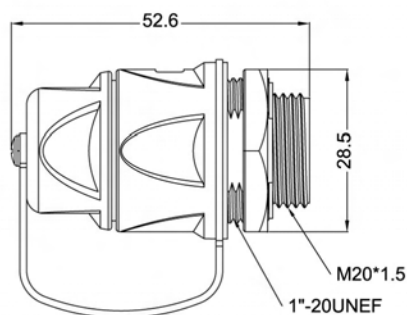
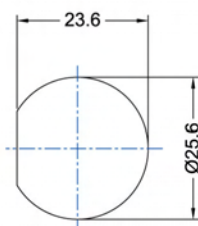
DESCRIPTION	DETAILS	CODE
1 Connector Type	Shielded RJ45	RJS
2 Category	No Cable	00
3 Connector Type	Panel Front Mount	P
4 Connector Gender	Jack Connector	FF
5 Assembly Style	RJ45 Jack	J
6 Mating Style	Screw	S
7 Backshell	Circular	C
8 Waterproof Rating	IP67	7
9 Version		001

SR= Strain Relief

Material

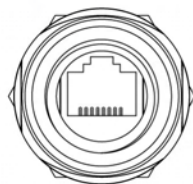
Pin : Copper Alloy with Gold Plated
Connector Body : PBT
Rated Temperature : -20 °C to 80 °C

Recommended Panel Cut-Out



Panel Thickness Max: 5.0mm

Pin Configuration



Shielded RJ45 Jack: Field Installable

LTWRJS-00PFFA-SC7001

New Product
RJ45 Network Solutions



Specifications

DESCRIPTION	DETAILS	CODE
1 Connector	Shielded RJ45	RJS
2 Category	No Cable	00
3 Connector Type	Panel Front Mount	P
4 Connector Gender	Jack Connector	FF
5 Assembly Style	Field Installable	A
6 Mating Style	Screw	S
7 Backshell	Circular	C
8 Waterproof Rating	IP67	7
9 Version		001

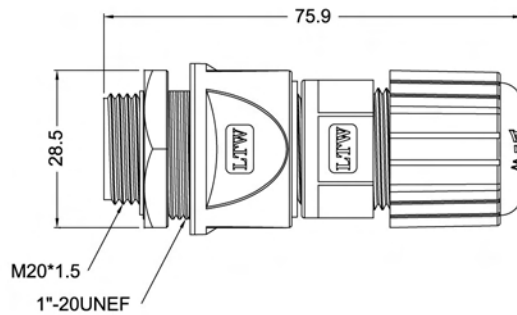
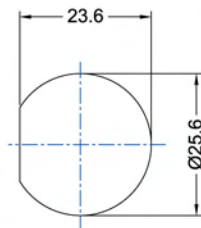
RJ45

Material

Pin : Copper Alloy with Gold Plated
Connector Body : PC
Rated Temperature : -20 °C to 80 °C

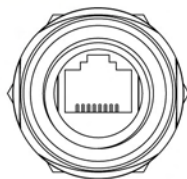
SR= Strain Relief

Recommended Panel Cut-Out



Panel Thickness Max: 5.0mm

Pin Configuration



Accessory



See Item List

Shielded RJ45 Jack: Field Installable

RJ45



LTWRJS-00BFFA-SL7001

New Product
RJ45 Network Solutions

Specifications

DESCRIPTION	DETAILS	CODE
1 Connector	Shielded RJ45	RJS
2 Category	No Cable	00
3 Connector Type	Without SR	B
4 Connector Gender	Jack Connector	FF
5 Assembly Style	Field Installable	A
6 Mating Style	Screw	S
7 Backshell	Straight	L
8 Waterproof Rating	IP67	7
9 Version		001

Material

Pin : Copper Alloy with Gold Plated
 Connector Body : PC
 Rated Temperature : -20 °C to 80 °C

SR= Strain Relief

