



CIRCULAR Connector

1. Specifications	2
2. How to Order	3
3. Contact Pin Arrangement	4
4. Item List	
Mini Size(2A, 5A) for Panel, Molded with Cable, Field Installable	5
Standard Size(2A, 5A) for Panel, Molded with Cable, Field Installable	22
Standard Size(10A, 5A+2A) for Panel, Molded with Cable, Field Installable	23
Standard Size(10A+5A) for Panel, Molded with Cable, Field Installable	24
Middle Size(2A, 5A) for Panel, Molded with Cable, Field Installable	74
Middle Size(10A, 20A) for Panel, Molded with Cable, Field Installable	75
Middle Size(5A+2A, 10A+5A) for Panel, Molded with Cable, Field Installable	76
Large Size(2A, 5A, 20A) for Panel, Molded with Cable, Field Installable	114
Macro Size(5A) for Panel, Molded with Cable	135



SPECIFICATIONS

CIRCULAR SERIES

No.	SPECIFICATIONS	STANDARD VALUE
01	Manufacturer Identifications	Mini Size, Standard Size, Middle Size, Large Size and Macro Size
02	Description	Panel Mount, Molded with Cable and Field Installable
03	Current Rating	Mini Size: 2A, 5A Standard Size: 2A, 5A, 10A, 5A+2A, 10A+5A Middle Size: 2A, 5A, 10A, 20A, 5A+2A, 10A+5A Large Size: 2A, 5A, 20A Macro Size: 5A
04	Pin Configuration	Mini Size: 2 to 6 contacts Standard Size: 2 to 8, 10, 12 contacts Middle Size: 3 to 10, 12, 14, 18 contacts Large Size: 2 to 7, 18, 20 to 22 contacts Macro Size: 31 contacts
05	Material	Contacts: Copper Alloy, Gold Plated Connector Body: Nylon + GF, UL Recognized
06	Temperature Range	Cable: -20°C to +80°C Connector Body: -40°C to +105°C
07	Waterproof Rating	IP66 and IP67
08	Contact Resistance	≤ 10 mΩ
09	Insulation Resistance	≥ 100MΩ at DC 500V
10	Durability	3000 Plug / Unplug Cycles Minimum
11	Breakdown Voltage	≥ AC 1000V/1 Minute, ≥ 500V/1 Minute (1.5~5A)
12	Corrosion	48 Hours Salt Spray Contact

HOW TO ORDER

CIRCULAR CONNECTOR

LTW 1 2 - 3 4 5 6 7 - 8 9 10 11 12

LT : Liang Tei

W : Waterproof



1	Connector Size	<ul style="list-style-type: none"> Mini A Mini Shielded AS Standard B Standard Shielded BS Middle C Large D Large Shielded DS Macro E
2	Current Rating	<ul style="list-style-type: none"> 2A u 5A D 10A B 20A C 5A + 2A Du 10A + 5A BD
3	Number of Contacts	<ul style="list-style-type: none"> 02, 03, ...
4	Connector Type	<ul style="list-style-type: none"> Front Mount P Rear Mount R With SR A Without SR B
5	Connector Gender	<ul style="list-style-type: none"> Male M Female F
6	Contact Gender	<ul style="list-style-type: none"> Male M Female F Combo C
7	Assembly Style	<ul style="list-style-type: none"> PCB 180° P PCB 90° R Solder S Molded with Cable M Assembly Type A
8	Mating Style	<ul style="list-style-type: none"> Lock L Screw S Quick Q
9	Backshell	<ul style="list-style-type: none"> Circular C Square S Straight L Right R
10	Waterproof Rating	<ul style="list-style-type: none"> IP66 6 IP67 7 IP68 8
11	Version	<ul style="list-style-type: none"> Without Cable (001, ...)
or 11	Standard Cable	<ul style="list-style-type: none"> UL2464 PVC Jacket A
12	Cable Length (L)	<ul style="list-style-type: none"> 01 to 99 meters (01, 99)

CONTACT PIN ARRANGEMENTS

CIRCULAR CONNECTOR

2 Contact	
3 Contact	
4 Contact	
5 Contact	
6 Contact	
7 Contact	
8 Contact	
9 Contact	
10 Contact	
12 Contact	
14 Contact	
18 Contact	
20 Contact	
21 Contact	
22 Contact	
31 Contact	
<p> 2A 5A 10A 20A Female Conn Female Pin Male Conn Male Pin Female Conn Male Pin Male Conn Female Pin </p>	

CIRCULAR: MIDDLE SIZE

Current Rating	Item Number	Number of Contacts	DESCRIPTION	Page	Old Item Number
2A	Panel				
	LTWCu-18PMMP-C7	18	Front Mount, PCB 180° Male Connector. Circular Backshell.	77	LTWCu-18PMMP-C
	Molded with Cable				
	LTWCu-18FFM-LA	18	With or Without SR, Molded with Cable. Female Connector. Straight.	78	LTWCu-FFM-180
5A	Panel				
	LTWCD-PMFM-L7A	07 to 09	Front Mount. Molded with Cable. Male Connector. Straight.	79	LTWCD-PMFM-180
	LTWCD-PMF-C7	07 to 09	Front Mount. PCB 180° or Solder Male Connector. Circular Backshell.	80	LTWCD-PMF-C
	LTWCD-RMFS-C7001	07 to 09	Rear Mount. Solder. Male Connector. Circular Backshell.	81	New Product
	LTWCD-PMMM-L7A	07 to 14	Front Mount. Molded with Cable. Male Connector. Straight.	82	LTWCD-PMMM-180
	LTWCD-PMM-C7	07 to 14	Front Mount. PCB 180° or Solder. Male Connector. Circular Backshell.	83	LTWCD-PMM-C
	LTWCD-RMMS-C7001	07 to 14	Rear Mount. Solder Male Connector. Circular Backshell.	84	New Product
	Molded with Cable				
	LTWCD-FFM-LA	07 to 14	With or Without SR. Molded with Cable. Female Connector. Straight.	85	LTWCD-FFM-180
	LTWCD-MMM-LLA	07 to 14	With or Without SR, Molded with Cable Male Connector. Straight.	86	LTWCD-MMM-L180
	LTWCD-FMM-LA	07 to 09	With or Without SR. Molded with Cable. Female Connector. Straight.	87	LTWCD-FMM-180
	LTWCD-MFM-LLA	07 to 09	With or Without SR. Molded with Cable. Male Connector. Straight.	88	LTWCD-MFM-L180
	Field Installable				
	LTWCD-BFFA-L7001	07 to 14	Without SR. Field Installable. Female Connector. Straight.	89	New Product
	LTWCD-BFMA-L7001	07 to 09	Without SR. Field Installable. Female Connector. Straight.	90	New Product
	LTWCD-BMFA-LL7001	07 to 09	Without SR. Field Installable. Male Connector. Straight.	91	New Product
	LTWCD-BMMA-LL7001	07 to 14	Without SR. Field Installable. Male Connector. Straight.	92	New Product

CIRCULAR: MIDDLE SIZE

Current Rating	Item Number	Number of Contacts	DESCRIPTION	Page	Old Item Number
10A	Panel				
	LTWCB-PMFM-L7A-	04 to 05	Front Mount. Molded with Cable. Male Connector. Straight.	93	LTWCB-PMFM-180
	LTWCB-PMF-C7-	04 to 05	Front Mount. PCB 180° or Solder. Male Connector. Circular Backshell.	94	LTWCB-PMF-C
	LTWCB-RMFS-C7001	04 to 05	Rear Mount. Solder. Male Connector. Circular Backshell.	95	New Product
	LTWCB-PMMM-L7A-	04 to 06	Front Mount. Molded with Cable. Male Connector. Straight.	96	LTWCB-PMMM-180
	LTWCB-PMM-C7-	04 to 06	Front Mount. PCB 180° or Solder. Male Connector. Circular Backshell.	97	LTWCB-PMM-C
	LTWCB-RMMS-C7001	04 to 06	Rear Mount. Solder. Male Connector. Circular Backshell.	98	New Product
	Molded with Cable				
	LTWCB-FFM-LAA-	04 to 06	With or Without SR. Molded with Cable. Female. Straight.	99	LTWCB-FFM-180
	LTWCB-FMM-LAA-	04 to 05	With or Without SR. Molded with Cable. Female Connector. Straight.	100	LTWCB-FMM-180
	Field Installable				
	LTWCB-BFFA-L7001	04 to 06	Without SR. Field Installable. Female Connector. Straight.	101	New Product
	LTWCB-BFMA-L7001	04 to 05	Without SR. Field Installable. Female Connector. Straight.	102	New Product
	20A	Panel			
LTWCC-03PMM-C7-		03	Front Mount. PCB 180° or Solder. Male Connector. Circular Backshell.	103	LTWCC-03PMM-C
LTWCC-03RMMS-C7001		03	Rear Mount. Solder. Male Connector. Circular Backshell.	104	New Product
Molded with Cable					
LTWCC-03FFM-LAA-		03	With or Without SR. Molded with Cable. Female Connector. Straight.	105	LTWCC-FFM-180
Field Installable					
LTWCC-03BFFA-L7001	03	Without SR. Field Installable. Female Connector. Straight.	106	New Product	

CIRCULAR: MIDDLE SIZE

Current Rating	Item Number	Number of Contacts	DESCRIPTION	Page	Old Item Number
5A + 2A	Panel				
	LTWCdu-PMF-C7	12 or 14	Front Mount, PCB 180° or Solder. Male Connector, Circular Backshell.	107	LTWCdu-PMF-C
	Molded with Cable				
	LTWCdu-FMM-LA	12 or 14	With or Without SR. Molded with Cable. Female Connector, Straight.	108	LTWCdu-FMM-L180
	Field Installable				
	LTWCdu-BFMA-L7001	12 or 14	Without SR. Field Installable. Female Connector. Straight.	109	New Product
10A + 5A	Panel				
	LTWCBD-08PMF-C7	08	Front Mount. PCB 180° or Solder. Male Connector. Circular Backshell.	110	New Product
	LTWCBD-08PMM-C7	08	Front Mount. PCB 180° or Solder. Male Connector. Circular Backshell.	111	New Product
	Molded with Cable				
	LTWCBD-08FFM-LA	08	With or Without SR. Molded with Cable. Female Connector. Straight.	112	New Product
	LTWCBD-08FMM-LA	08	With or Without SR. Molded with Cable. Female Connector. Straight.	113	New Product

Lock Bayonet and Screw Type (2A) : Panel Mount (Male)

LTWCu-18PMMP-[△]8[△]C7[△]11[△]

Old Part Number: LTWCu-18PMMP-[△]8[△]C



Material

Pin : Copper Alloy, 6u" Gold Plated
 Connector Body : Nylon + GF, UL Recognized
 Temperature Range : -40°C to 105°C

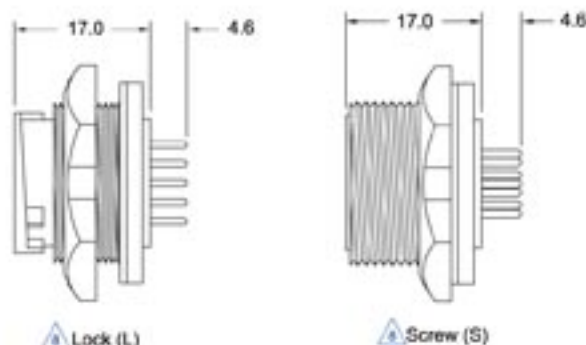
Specifications

DESCRIPTION	DETAILS	CODE
1 Connector Size	Middle	C
2 Current Rating	2A	u
3 Number of Contacts	18	18
4 Connector Type	Front Mount	P
5 Connector Gender	Male	M
6 Contact Gender	Male	M
7 Assembly Style	PCB 180°	P
[△] Mating Style	Lock or Screw	L or S
9 Backshell	Circular	C
10 Waterproof Rating	IP67	7
[△] Version	4.6 mm PCB Pin Length	001
	15.0 mm PCB Pin Length	002 (New)

10, [△] Excluded in Old Part Number

* 15.0mm PCB Pin Length available only upon request

Recommended Panel Cut-Out



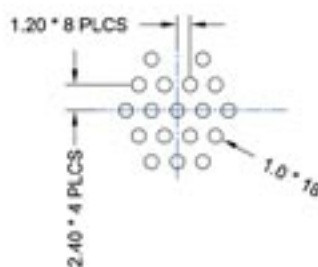
Panel Thickness Max: 3.0mm

Circular Middle

Pin Configuration and PCB Layout



18 pins



Mating Parts



LTWCu-18[△]FFM-[△]L[△]10[△]A[△]

See Item List

Accessories



See Item List



See Item List



See Item List

Lock Bayonet and Screw Type (2A) : Molded with Cable (Female)

LTWCu-18⁴FFM-⁸L¹⁰A¹²

Old Part Number: LTWCu-⁴FFM-⁸180



Specifications

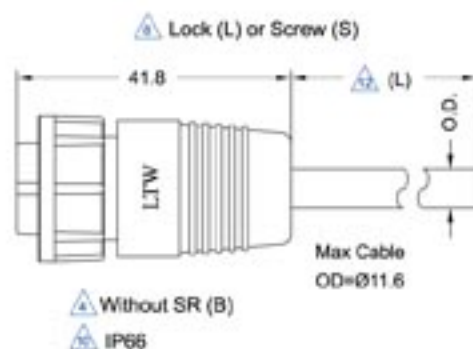
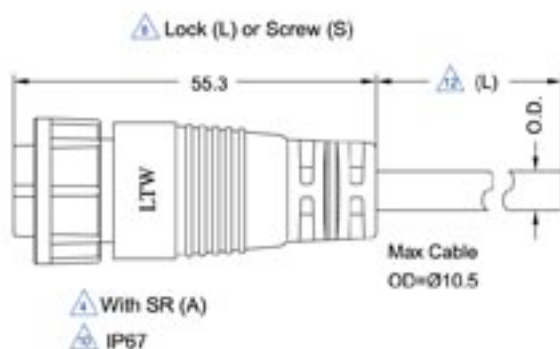
DESCRIPTION	DETAILS	CODE
1 Connector Size	Middle	C
2 Current Rating	2A	u
3 Number of Contacts	18	18
⁴ Connector Type	With or Without SR	A or B
5 Connector Gender	Female	F
6 Contact Gender	Female	F
7 Assembly Style	Molded with Cable	M
⁸ Mating Style	Lock or Screw	L or S
9 Backshell	Straight	L
¹⁰ Waterproof Rating	IP67 or IP66	7 or 6
11 Standard Cable	UL2464 PVC Jacket	A
¹² Cable Length (L)	1 to 99 meters	01,...,99

⁴, ¹¹, ¹² Excluded in Old Part Number

Material

Pin : Copper Alloy, 6u" Gold Plated
 Connector Body : Nylon + GF, UL Recognized
 Cable Temperature : -20°C to 80°C

Circular Middle



Pin Configuration



18 pins

LTW Standard Cable:

No. of Pins	Part no.	Type	Color	OD(mm)
18	WCA0560UV01	PVC	Black	8.0

Note: Please see Cable Index for further details

Mating Parts



LTWCu-18PMMP-⁴C7⁸

See Item List

Lock Bayonet and Screw Type (5A) : Panel Molded with Cable (Male)



LTWCD- Δ ₃PMFM- Δ ₈L7A Δ ₁₂

Old Part Number: LTWCD- Δ PMFM- Δ 180



Material

Pin : Copper Alloy, 6u" Gold Plated
 Connector Body : Nylon + GF, UL Recognized
 Cable Temperature : -20°C to 80°C

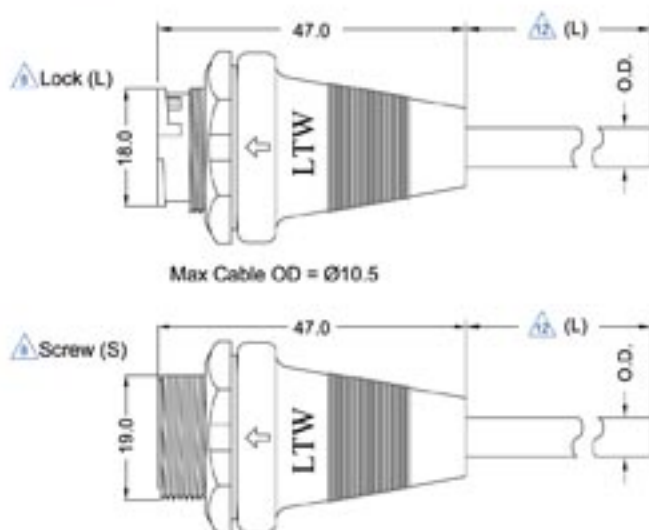
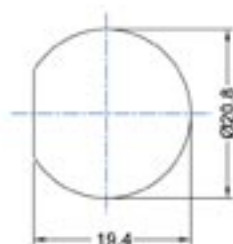
Specifications

DESCRIPTION	DETAILS	CODE
1 Connector Size	Middle	C
2 Current Rating	5A	D
Δ Number of Contacts	7 to 9	07,...09
4 Connector Type	Front Mount	P
5 Connector Gender	Male	M
6 Contact Gender	Female	F
7 Assembly Style	Molded with Cable	M
Δ Mating Style	Lock or Screw	L or S
9 Backshell	Straight	L
10 Waterproof Rating	IP67	7
11 Standard Cable	UL2464 PVC Jacket	A
Δ Cable Length (L)	1 to 99 meters	01,...99

10, 11, Δ Excluded in Old Part Number

SR= Strain Relief

Recommended Panel Cut-Out



Circular Middle

Pin Configurations



07 pins



08 pins



09 pins

LTW Standard Cable:

No. of Pins	Part no.	Type	Color	OD(mm)
07	WCA0087UV01	PVC	Black	5.5
08	WCA0003UV01	PVC	Black	5.5
09	WCA0528UV01	PVC	Black	6.0

Note: Please see Cable Index for further details

Mating Parts



LTWCD- Δ ₃FMF- Δ ₄L7A Δ ₁₂

See Item List



LTWCD- Δ BFMA- Δ L7001

See Item List



See Item List



See Item List

Accessories

Lock Bayonet and Screw Type (5A) : Panel Mount (Male)



LTWCD-[△]3[△]PMF[△]7[△]-8[△]C7[△]11[△]

Old Part Number: LTWCD-[△]PMF[△]-[△]C



Specifications

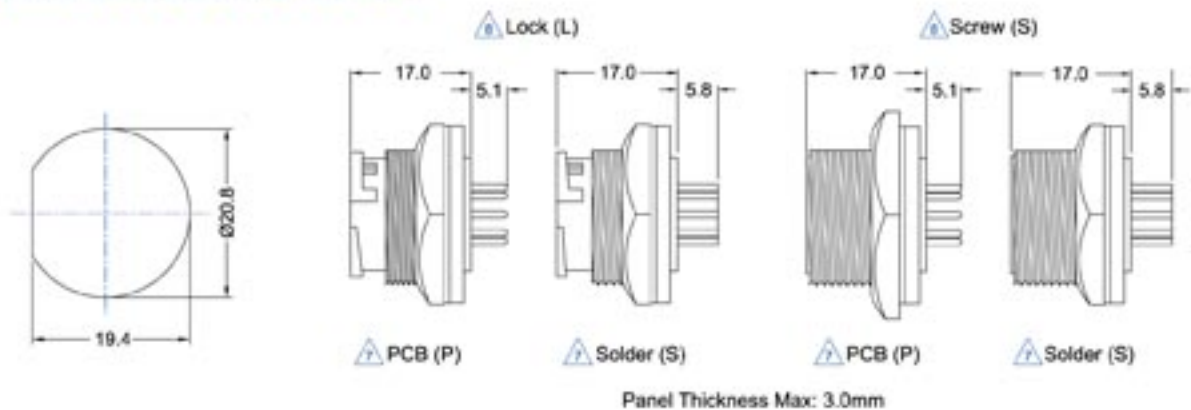
DESCRIPTION	DETAILS	CODE
1 Connector Size	Middle	C
2 Current Rating	5A	D
[△] Number of Contacts	7 to 9	07,...09
4 Connector Type	Front Mount	P
5 Connector Gender	Male	M
6 Contact Gender	Female	F
[△] Assembly Style	PCB 180° or Solder	P or S
[△] Mating Style	Lock or Screw	L or S
9 Backshell	Circular	C
10 Waterproof Rating	IP67	7
[△] Version	5.1mm PCB Pin Length	001
	Solder Contact	001
	15.0mm PCB Pin Length	002 (New)

Material

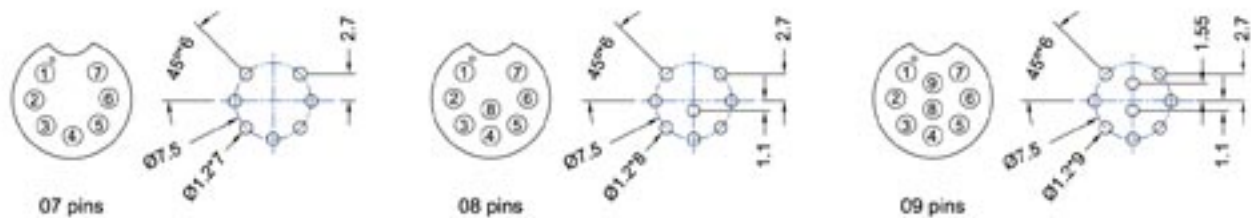
Pin : Copper Alloy, 6u" Gold Plated
 Connector Body : Nylon + GF, UL Recognized
 Temperature Range : -40°C to 105°C

10. [△] Excluded in Old Part Number
 * 15.0mm PCB Pin Length available only upon request

Recommended Panel Cut-Out



Pin Configurations and PCB Layouts



Mating Parts



LTWCD-[△]△[△]FMM-[△]L[△]A[△]
 See Item List



LTWCD-[△]BFMA-[△]L7001
 See Item List



See Item List



See Item List



See Item List

Lock Bayonet and Screw Type (5A) : Panel Rear Mount (Male)

LTWCD- \triangle_3 RMFS - \triangle_8 C7001

New Product



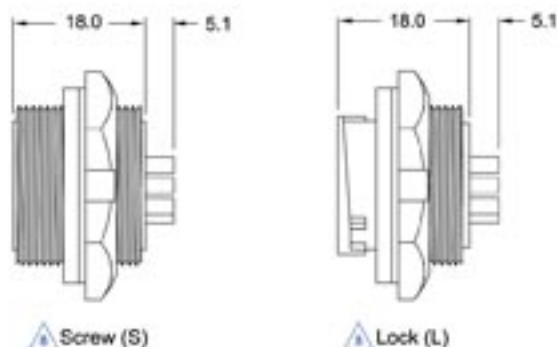
Material

Pin : Copper Alloy, 6u" Gold Plated
 Connector Body : Nylon + GF, UL Recognized
 Temperature Range : -40°C to 105°C

Specifications

DESCRIPTION	DETAILS	CODE
1 Connector Size	Middle	C
2 Current Rating	5A	D
\triangle_1 Number of Contacts	7 to 9	07...09
4 Connector Type	Rear Mount	R
5 Connector Gender	Male	M
6 Contact Gender	Female	F
7 Assembly Style	Solder	S
\triangle_2 Mating Style	Lock or Screw	L or S
9 Backshell	Circular	C
10 Waterproof Rating	IP67	7
11 Version	Without Cable	001

Recommended Panel Cut-Out



Panel Thickness Max: 4.5mm

Circular Middle

Pin Configurations



07 pins



08 pins



09 pins

Mating Parts



LTWCD- \triangle_1 \triangle_2 FMM- \triangle_3 L \triangle_4 A \triangle_5
 See Item List



LTWCD- \triangle_1 BFMA- \triangle_2 L7001
 See Item List



See Item List

Accessory

Lock Bayonet and Screw Type (5A) : Panel Molded with Cable (Male)



LTWCD-³PM⁸MM-⁸L7A¹²

Old Part Number: LTWCD-³PM⁸MM-⁸180



Material

Pin : Copper Alloy, 6u" Gold Plated
 Connector Body : Nylon + GF, UL Recognized
 Cable Temperature : -20°C to 80°C

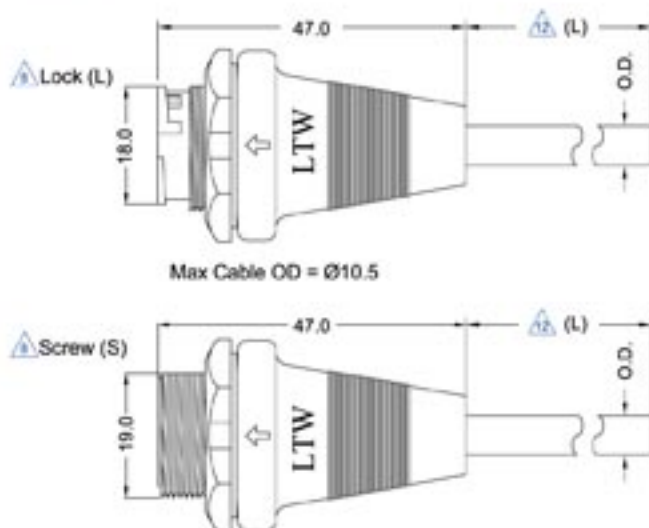
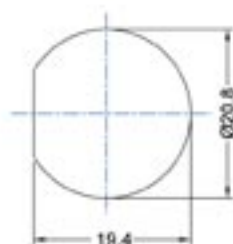
Specifications

DESCRIPTION	DETAILS	CODE
1 Connector Size	Middle	C
2 Current Rating	5A	D
[△] Number of Contacts	7 to 14	07,...14
4 Connector Type	Front Mount	P
5 Connector Gender	Male	M
6 Contact Gender	Male	M
7 Assembly Style	Molded with Cable	M
[△] Mating Style	Lock or Screw	L or S
9 Backshell	Straight	L
10 Waterproof Rating	IP67	7
11 Standard Cable	UL2464 PVC Jacket	A
[△] Cable Length (L)	1 to 99 meters	01,...99

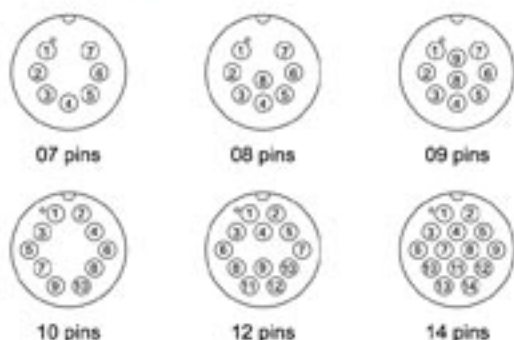
10, 11, [△] Excluded in Old Part Number

SR= Strain Relief

Recommended Panel Cut-Out



Pin Configurations



LTW Standard Cable:

No. of Pins	Part no.	Type	Color	OD(mm)
07	WCA0087UV01	PVC	Black	5.5
08	WCA0003UV01	PVC	Black	5.5
09	WCA0528UV01	PVC	Black	6.0
10	WCA0556UV01	PVC	Black	6.5
12	WCA0557UV01	PVC	Black	7.0
14	WCA0558UV01	PVC	Black	7.0

Note: Please see Cable index for further details

Mating Parts



LTWCD-³FFM-⁸L⁸A¹²

See Item List



LTWCD-³BFFA-⁸L7001

See Item List

Accessories



See Item List



See Item List

Lock Bayonet and Screw Type (5A) : Panel Mount (Male)



LTWCD- Δ 3PMM Δ 7- Δ 8C7 Δ 11

Old Part Number: LTWCD- Δ PMM Δ - Δ C



Material

Pin : Copper Alloy, 6u" Gold Plated
 Connector Body : Nylon + GF, UL Recognized
 Temperature Range : -40 °C to 105 °C

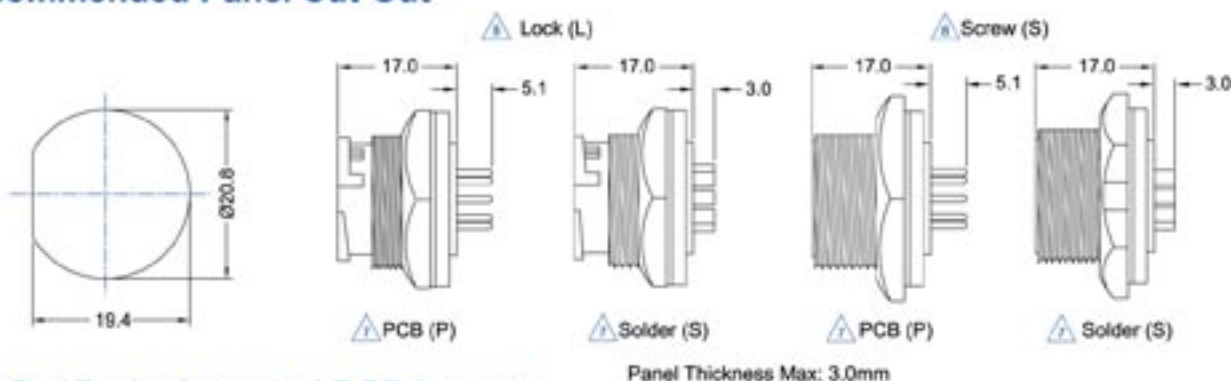
Specifications

DESCRIPTION	DETAILS	CODE
1 Connector Size	Middle	C
2 Current Rating	5A	D
Δ Number of Contacts	7 to 14	07,...,14
4 Connector Type	Front Mount	P
5 Connector Gender	Male	M
6 Contact Gender	Male	M
Δ Assembly Style	PCB 180° or Solder	P or S
Δ Mating Style	Lock or Screw	L or S
9 Backshell	Circular	C
10 Waterproof Rating	IP67	7
Δ Version	5.1mm PCB Pin Length or Solder Contact 15.0mm PCB Pin Length	001 001 002 (New)

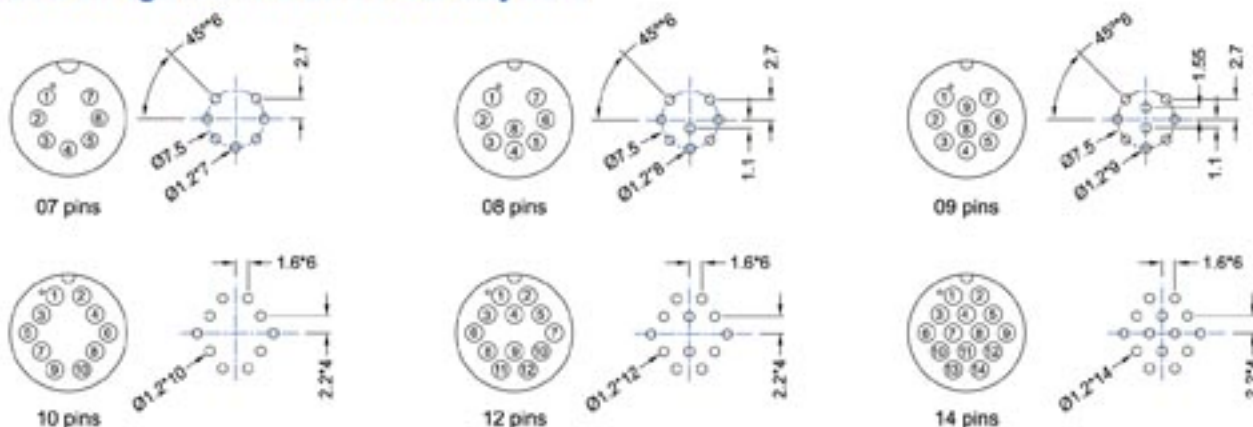
10, Δ Excluded in Old Part Number

* 15.0mm PCB Pin Length available only upon request

Recommended Panel Cut-Out



Pin Configurations and PCB Layouts



Mating Parts



LTWCD- Δ Δ FFM- Δ L Δ A Δ
 See Item List



LTWCD- Δ BFFA- Δ L7001
 See Item List



See Item List



See Item List



See Item List

Accessories

Lock Bayonet and Screw Type (5A) : Panel Rear Mount (Male)

LTWCD- Δ 3RMMS- Δ 8C7001

New Product



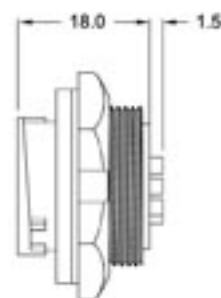
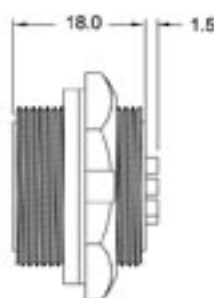
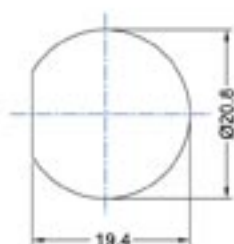
Material

Pin : Copper Alloy, 6u" Gold Plated
 Connector Body : Nylon + GF, UL Recognized
 Temperature Range : -40°C to 105°C

Specifications

DESCRIPTION	DETAILS	CODE
1 Connector Size	Middle	C
2 Current Rating	5A	D
Δ Number of Contacts	7 to 14	07...14
4 Connector Type	Rear Mount	R
5 Connector Gender	Male	M
6 Contact Gender	Male	M
7 Assembly Type	Solder	S
Δ Mating Style	Lock or Screw	L or S
9 Backshell	Circular	C
10 Waterproof Rating	IP67	7
11 Version	Without Cable	001

Recommended Panel Cut-Out



Δ Screw (S)

Δ Lock (L)

Panel Thickness Max: 4.5mm

Pin Configurations



07 pins



08 pins



09 pins



10 pins



12 pins



14 pins

Mating Parts



LTWCD- Δ 3FFM- Δ L Δ A Δ

See Item List



LTWCD- Δ BFFA- Δ L7001

See Item List



See Item List

Accessory

Lock Bayonet and Screw Type (5A) : Molded with Cable (Female)



LTWCD-³⁴FFM-⁸L¹⁰A¹²

Old Part Number: LTWCD-³⁴FFM-⁸180



Specifications

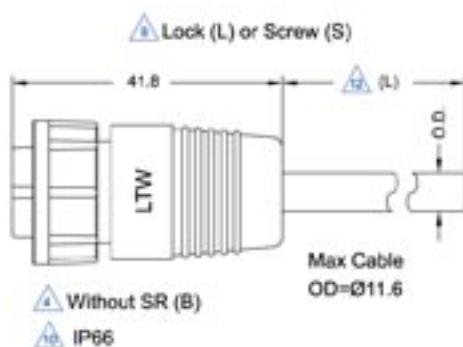
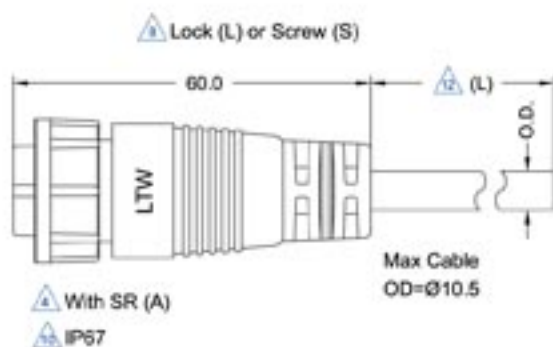
DESCRIPTION	DETAILS	CODE
1 Connector Size	Middle	C
2 Current Rating	5A	D
[△] Number of Contacts	7 to 14	07...14
[△] Connector Type	With or Without SR	A or B
5 Connector Gender	Female	F
6 Contact Gender	Female	F
7 Assembly Style	Molded with Cable	M
[△] Mating Style	Lock or Screw	L or S
9 Backshell	Straight	L
[△] Waterproof Rating	IP67 or IP66	7 or 6
11 Standard Cable	UL2464 PVC Jacket	A
[△] Cable Length (L)	1 to 99 meters	01...99

[△], 11, [△] Excluded in Old Part Number

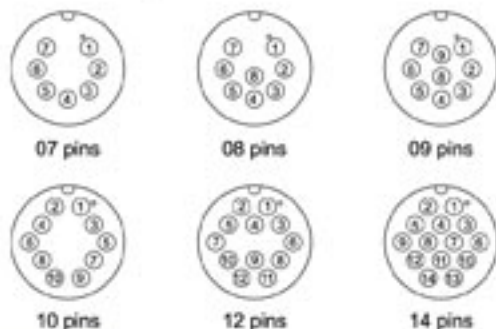
SR= Strain Relief

Material

Pin : Copper Alloy, 30u" Gold Plated
 Connector Body : Nylon + GF, UL Recognized
 Cable Temperature : -20 °C to 80 °C



Pin Configurations



LTW Standard Cable:

No. of Pins	Part no.	Type	Color	OD(mm)
07	WCA0087UV01	PVC	Black	5.5
08	WCA0003UV01	PVC	Black	5.5
09	WCA0528UV01	PVC	Black	6.0
10	WCA0556UV01	PVC	Black	6.5
12	WCA0557UV01	PVC	Black	7.0
14	WCA0558UV01	PVC	Black	7.0

Note: Please see Cable Index for further details

Mating Parts



Accessories



Lock Bayonet Type (5A) : Molded with Cable (Male)



LTWCD-³⁴MMM-LL¹⁰A¹²

Old Part Number: LTWCD-³⁴MMM-L180



Specifications

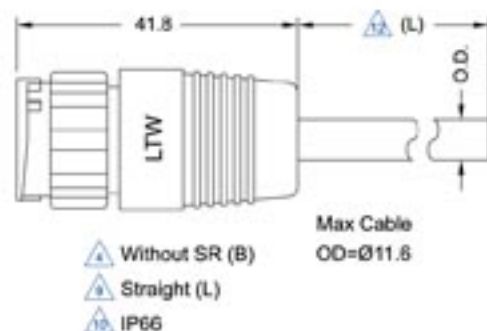
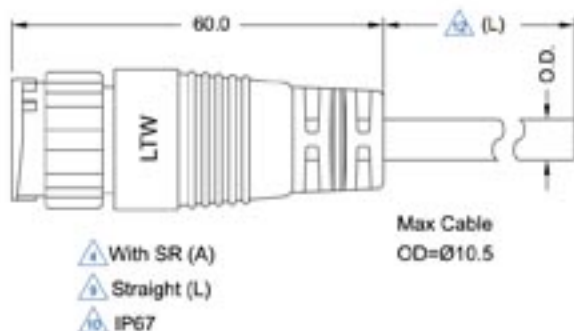
DESCRIPTION	DETAILS	CODE
1 Connector Size	Middle	C
2 Current Rating	5A	D
[△] Number of Contacts	7 to 14	07...14
[△] Connector Type	With or Without SR	A or B
5 Connector Gender	Male	M
6 Contact Gender	Male	M
7 Assembly Style	Molded with Cable	M
8 Mating Style	Lock	L
9 Backshell	Straight	L
[△] Waterproof Rating	IP67 or IP66	7 or 6
11 Standard Cable	UL2464 PVC Jacket	A
[△] Cable Length (L)	1 to 99 meters	01...99

[△], 11, [△] Excluded in Old Part Number

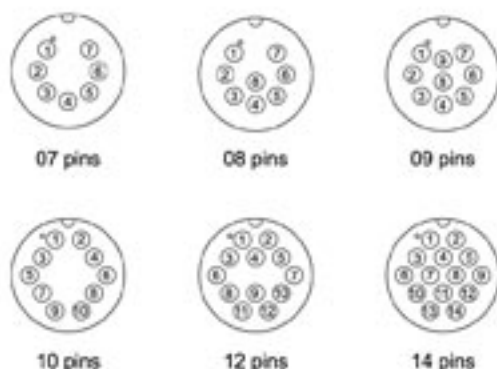
SR= Strain Relief

Material

Pin : Copper Alloy, 6u" Gold Plated
 Connector Body : Nylon + GF, UL Recognized
 Cable Temperature : -20 °C to 80 °C



Pin Configurations



LTW Standard Cable:

No. of Pins	Part no.	Type	Color	OD(mm)
07	WCA0087UV01	PVC	Black	5.5
08	WCA0003UV01	PVC	Black	5.5
09	WCA0528UV01	PVC	Black	6.0
10	WCA0556UV01	PVC	Black	6.5
12	WCA0557UV01	PVC	Black	7.0
14	WCA0558UV01	PVC	Black	7.0

Note: Please see Cable Index for further details

Mating Parts



LTWCD-[△]BFFA-LL7001

See Item List



LTWCD-[△][△]FFM-[△]L[△]A[△]

See Item List



See Item List

Accessory

Lock Bayonet and Screw Type (5A) : Molded with Cable (Female)



LTWCD-³⁴FMM-⁸L¹⁰A¹²

Old Part Number: LTWCD-³⁴FMM-⁸180



Material

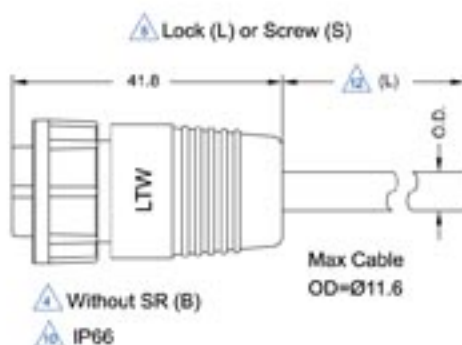
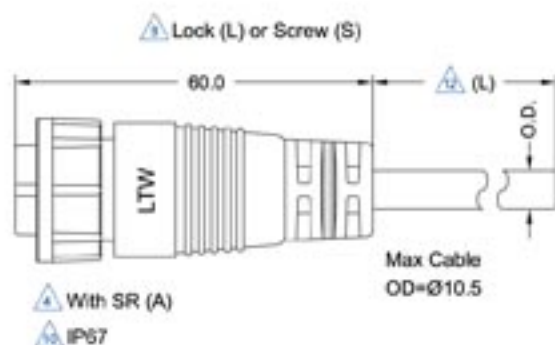
Pin : Copper Alloy, 6u" Gold Plated
 Connector Body : Nylon + GF, UL Recognized
 Cable Temperature : -20 °C to 80 °C

Specifications

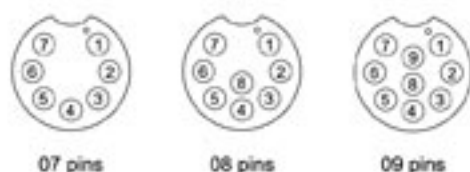
DESCRIPTION	DETAILS	CODE
1 Connector Size	Middle	C
2 Current Rating	5A	D
[△] Number of Contacts	7 to 9	07,...09
[△] Connector Type	With or Without SR	A or B
5 Connector Gender	Female	F
6 Contact Gender	Male	M
7 Assembly Style	Molded with Cable	M
[△] Mating Style	Lock or Screw	L or S
9 Backshell	Straight	L
[△] Waterproof Rating	IP67 or IP66	7 or 6
11 Standard Cable	UL2464 PVC Jacket	A
[△] Cable Length (L)	1 to 99 meters	01,...99

[△], 11, [△] Excluded in Old Part Number

SR= Strain Relief



Pin Configurations



LTW Standard Cable:

No. of Pins	Part no.	Type	Color	OD(mm)
07	WCA0087UV01	PVC	Black	5.5
08	WCA0003UV01	PVC	Black	5.5
09	WCA0528UV01	PVC	Black	6.0
10	WCA0556UV01	PVC	Black	6.5
12	WCA0557UV01	PVC	Black	7.0
14	WCA0558UV01	PVC	Black	7.0

Note: Please see Cable Index for further details

Mating Parts



Accessories



Lock Bayonet Type (5A) : Molded with Cable (Male)



LTWCD-³⁴MFM-LL¹⁰A¹²

Old Part Number: LTWCD-³⁴MFM-L180



Specifications

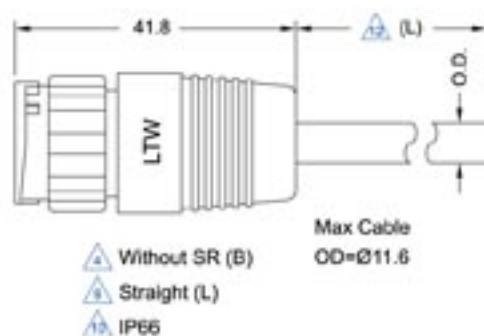
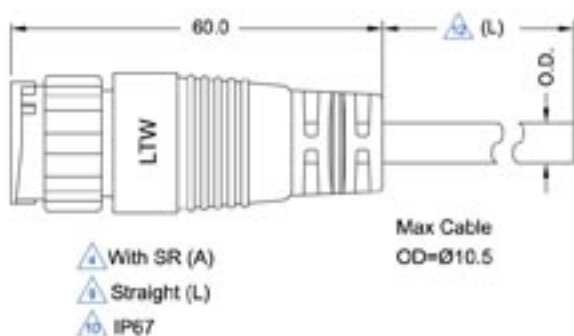
DESCRIPTION	DETAILS	CODE
1 Connector Size	Middle	C
2 Current Rating	5A	D
³ Number of Contacts	7 to 9	07....09
⁴ Connector Type	With or Without SR	A or B
5 Connector Gender	Male	M
6 Contact Gender	Female	F
7 Assembly Style	Molded with Cable	M
8 Mating Style	Lock	L
9 Backshell	Straight	L
¹⁰ Waterproof Rating	IP67 or IP66	7 or 6
11 Standard Cable	UL2464 PVC Jacket	A
¹² Cable Length (L)	1 to 99 meters	01....99

¹⁰, 11, ¹² Excluded in Old Part Number

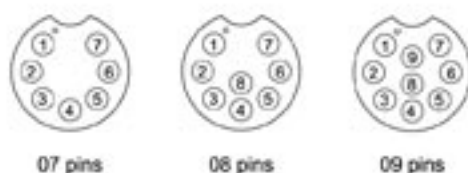
SR= Strain Relief

Material

Pin : Copper Alloy, 6u" Gold Plated
 Connector Body : Nylon + GF, UL Recognized
 Cable Temperature : -20 °C to 80 °C



Pin Configurations



LTW Standard Cable:

No. of Pins	Part no.	Type	Color	OD(mm)
07	WCA0087UV01	PVC	Black	5.5
08	WCA0003UV01	PVC	Black	5.5
09	WCA0528UV01	PVC	Black	6.0

Note: Please see Cable Index for further details

Mating Parts



LTWCD-³BFMA-⁴L7001
 See Item List



LTWCD-³⁴FMM-⁴L⁴A⁴
 See Item List



See Item List

Accessory

Lock Bayonet and Screw Type (5A) : Field Installable (Female)



LTWCD-³BFFA-⁸L7001

New Product



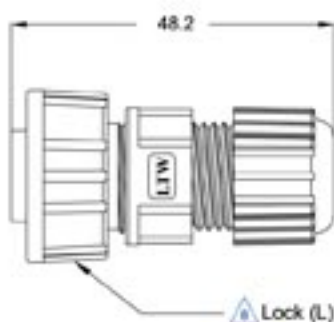
Specifications

DESCRIPTION	DETAILS	CODE
1 Connector Size	Middle	C
2 Current Rating	5A	D
[△] Number of Contacts	7 to 14	07...14
4 Connector Type	Without SR	B
5 Connector Gender	Female	F
6 Contact Gender	Female	F
7 Assembly Style	Field Installable	A
[△] Mating Style	Lock or Screw	L or S
9 Backshell	Straight	L
10 Waterproof Rating	IP67	7
11 Version	Without Cable	001

SR= Strain Relief

Material

Pin : Copper Alloy, 6u" Gold Plated
 Connector Body : Nylon + GF, UL Recognized
 Temperature Range : -40°C to 105°C



Circular Middle

Pin Configurations



07 pins



08 pins



09 pins



10 pins



12 pins



14 pins

Mating Parts



LTWCD-³4MM-⁷-⁶C7^A
See Item List



LTWCD-³PMMM-⁶L7^A
See Item List



LTWCD-³4MMM-LL-⁶A
See Item List



LTWCD-³BMM-LL-7001
See Item List

Accessories



See Item List

See Item List



See Item List

Lock Bayonet and Screw Type (5A) : Field Installable (Female)



LTWCD- Δ ₃BFMA- Δ ₈L7001

New Product



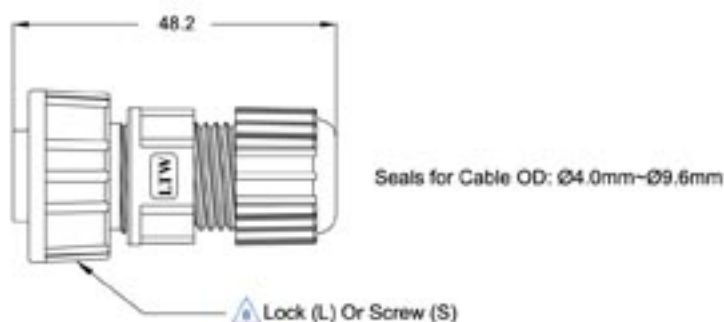
Specifications

DESCRIPTION	DETAILS	CODE
1 Connector Size	Middle	C
2 Current Rating	5A	D
Δ Number of Contacts	7 to 9	07...09
4 Connector Type	Without SR	B
5 Connector Gender	Female	F
6 Contact Gender	Male	M
7 Assembly Style	Field Installable	A
Δ Mating Style	Lock or Screw	L or S
9 Backshell	Straight	L
10 Waterproof Rating	IP67	7
11 Version	Without Cable	001

Material

Pin : Copper Alloy, 6u" Gold Plated
 Connector Body : Nylon + GF, UL Recognized
 Temperature Range : -40°C to 105°C

SR= Strain Relief



Pin Configurations



07 pins



08 pins



09 pins

Mating Parts



LTWCD- Δ Δ MF Δ - Δ C7 Δ
 See Item List



LTWCD- Δ PMFM- Δ L7A Δ
 See Item List



LTWCD- Δ BMFA-LL7001
 See Item List



LTWCD- Δ Δ MFM-LL Δ A Δ
 See Item List

Accessories



See Item List

See Item List

See Item List

Lock Bayonet Type (5A) : Field Installable (Male)



LTWCD-³BMFA-LL7001

New Product



Specifications

DESCRIPTION	DETAILS	CODE
1 Connector Size	Middle	C
2 Current Rating	5A	D
³ Number of Contacts	7 to 9	07...09
4 Connector Type	Without SR	B
5 Connector Gender	Male	M
6 Contact Gender	Female	F
7 Assembly Style	Field Installable (Solder Pins)	A
8 Mating Style	Lock	L
9 Backshell	Straight	L
10 Waterproof Rating	IP67	7
11 Version	Without Cable	001

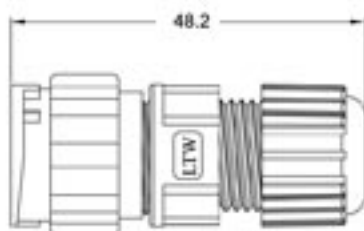
Material

Pin : Copper Alloy, 6u" Gold Plated

Connector Body : Nylon + GF, UL Recognized

Temperature Range : -40°C to 105°C

SR= Strain Relief



Seals for Cable OD: Ø4.0mm-Ø9.6mm

Circular Middle

Pin Configurations



07 pins



08 pins



09 pins

Mating Parts



LTWCD-³FMM-³L³A³

See Item List



LTWCD-³BFMA-³L7001

See Item List



See Item List



See Item List

Accessories

Lock Bayonet Type (5A) : Field Installable (Male)



LTWCD- Δ 3 BMMA-LL7001

New Product



Specifications

DESCRIPTION	DETAILS	CODE
1 Connector Size	Middle	C
2 Current Rating	5A	D
Δ 3 Number of Contacts	7 to 14	07...14
4 Connector Type	Without SR	B
5 Connector Gender	Male	M
6 Contact Gender	Male	M
7 Assembly Style	Field Installable	A
8 Mating Style	Lock	L
9 Backshell	Straight	L
10 Waterproof Rating	IP67	7
11 Version	Without Cable	001

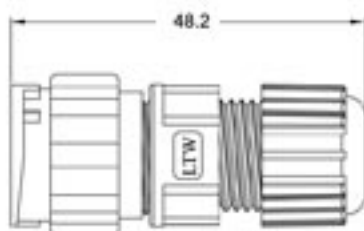
Material

Pin : Copper Alloy, 6u" Gold Plated

Connector Body : Nylon + GF, UL Recognized

Temperature Range : -40°C to 105°C

SR= Strain Relief



Seals for Cable OD: \varnothing 4.0mm- \varnothing 9.6mm

Pin Configurations



07 pins



08 pins



09 pins



10 pins



12 pins



14 pins

Mating Parts



LTWCD- Δ 4FFM- Δ L Δ A Δ

See Item List



LTWCD- Δ BFFA- Δ L7001

See Item List



See Item List



See Item List

Accessories

Lock Bayonet and Screw Type (10A) : Panel Molded with Cable (Male)



LTWCB-³PMFM-⁸L7A¹²

Old Part Number: LTWCB-³PMFM-⁸180



Material

Pin : Copper Alloy, 6u" Gold Plated
 Connector Body : Nylon + GF, UL Recognized
 Cable Temperature : -20°C to 80°C

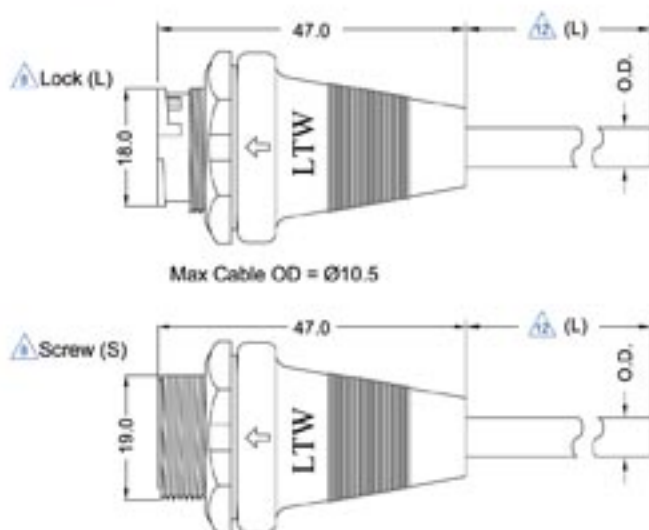
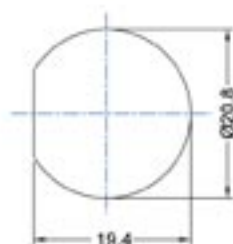
Specifications

DESCRIPTION	DETAILS	CODE
1 Connector Size	Middle	C
2 Current Rating	10A	B
[△] Number of Contacts	4 to 5	04 to 05
4 Connector Type	Front Mount	P
5 Connector Gender	Male	M
6 Contact Gender	Female	F
7 Assembly Style	Molded with Cable	M
[△] Mating Style	Lock or Screw	L or S
9 Backshell	Straight	L
10 Waterproof Rating	IP67	7
11 Standard Cable	UL2464 PVC Jacket	A
[△] Cable Length (L)	1 to 99 meters	01,...,99

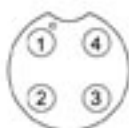
10, 11, [△] Excluded in Old Part Number

SR= Strain Relief

Recommended Panel Cut-Out



Pin Configurations



04 pins



05 pins

LTW Standard Cable:

No. of Pins	Part no.	Type	Color	OD(mm)
04	WCA0575UV01	PVC	Black	5.5
05	WCA0576UV01	PVC	Black	6.0

Note: Please see Cable index for further details

Mating Parts



LTWCB-³⁴FMM-⁴L¹⁰A¹²

See Item List



LTWCB-³BFMA-⁴L7001

See Item List

Accessories



See Item List



See Item List

Lock Bayonet and Screw Type (10A) : Panel Mount (Male)



LTWCB-³PMF⁷-⁸C7¹¹

Old Part Number: LTWCB-³PMF⁷-⁸C



Specifications

DESCRIPTION	DETAILS	CODE
1 Connector Size	Middle	C
2 Current Rating	10A	B
[△] Number of Contacts	4 to 5	04 to 05
4 Connector Type	Front Mount	P
5 Connector Gender	Male	M
6 Contact Gender	Female	F
[△] Assembly Style	PCB 180° or Solder	P or S
[△] Mating Style	Lock or Screw	L or S
9 Backshell	Circular	C
10 Waterproof Rating	IP67	7
[△] Version	4.9mm PCB Pin Length	001
	or Solder Contact	001
	15.0mm PCB Pin Length	002 (New)

10. [△] Excluded in Old Part Number

* 15.0mm PCB Pin Length available only upon request

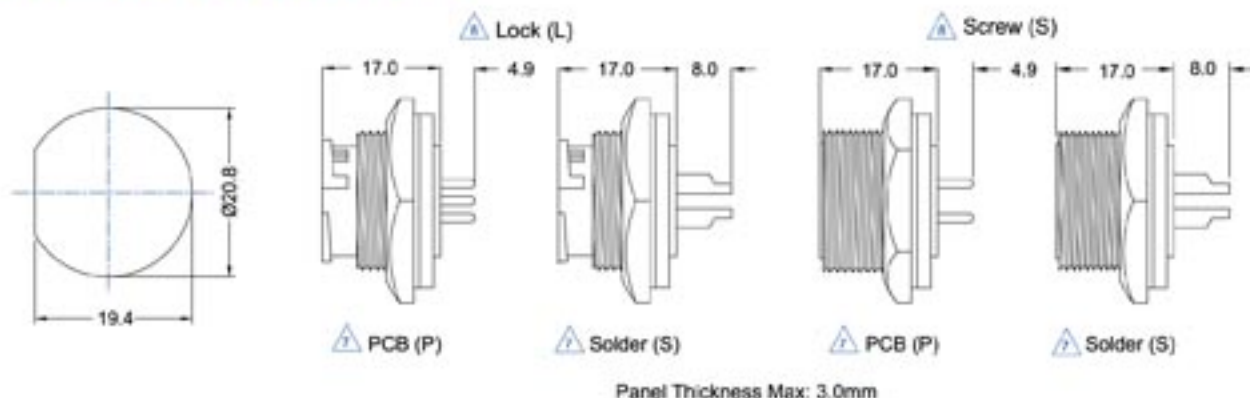
Material

Pin : Copper Alloy, 6u" Gold Plated

Connector Body : Nylon + GF, UL Recognized

Temperature Range : -40°C to 105°C

Recommended Panel Cut-Out



Pin Configurations and PCB Layouts



Mating Parts



LTWCB-³FMM-⁴L¹⁰A¹¹

See Item List



LTWCB-³BFMA-⁴L7001

See Item List



See Item List



See Item List



See Item List

Lock Bayonet and Screw Type (10A) : Panel Rear Mount (Male)

LTWCB- Δ ₃RMFS- Δ _BC7001

New Product



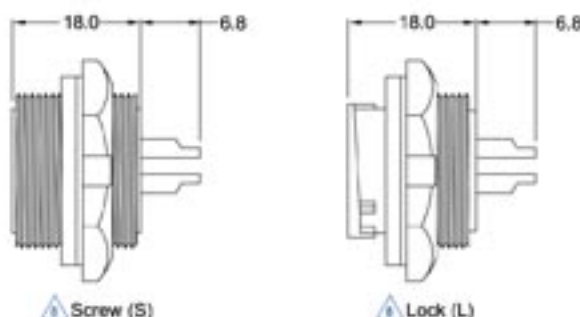
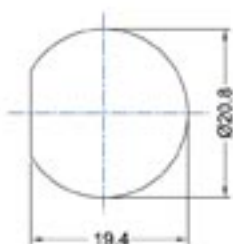
Material

Pin : Copper Alloy, 6u" Gold Plated
 Connector Body : Nylon + GF, UL Recognized
 Temperature Range : -40°C to 105°C

Specifications

DESCRIPTION	DETAILS	CODE
1 Connector Size	Middle	C
2 Current Rating	10A	B
Δ Number of Contacts	4 to 5	04 to 05
4 Connector Type	Rear Mount	R
5 Connector Gender	Male	M
6 Contact Gender	Female	F
7 Assembly Style	Solder	S
Δ Mating Style	Lock or Screw	L or S
9 Backshell	Circular	C
10 Waterproof Rating	IP67	7
11 Version	Without Cable	001

Recommended Panel Cut-Out



Panel Thickness Max: 4.5mm

Circular Middle

Pin Configurations



04 pins



05 pins

Mating Parts



LTWCB- Δ ₄FMM- Δ _L Δ _A

See Item List



LTWCB- Δ ₄BFMA- Δ _L7001

See Item List



See Item List

Accessory

Lock Bayonet and Screw Type (10A) : Panel Molded with Cable (Male)



LTWCB- Δ 3PMMM- Δ 8L7A Δ 12

Old Part Number: LTWCB- Δ 3PMMM- Δ 180



Material

Pin : Copper Alloy, 6u" Gold Plated
 Connector Body : Nylon + GF, UL Recognized
 Cable Temperature : -20°C to 80°C

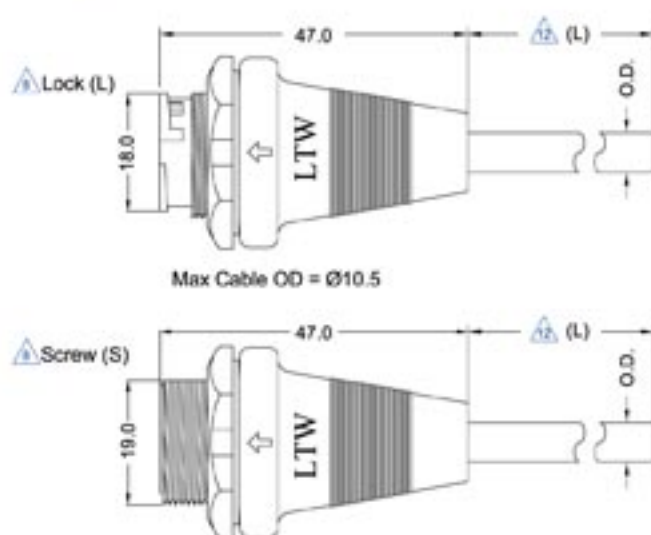
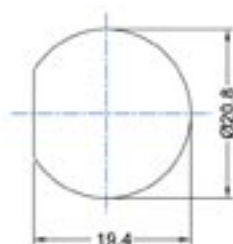
Specifications

DESCRIPTION	DETAILS	CODE
1 Connector Size	Middle	C
2 Current Rating	10A	B
Δ Number of Contacts	4 to 6	04,...06
4 Connector Type	Front Mount	P
5 Connector Gender	Male	M
6 Contact Gender	Male	M
7 Assembly Style	Molded with Cable	M
Δ Mating Style	Lock or Screw	L or S
9 Backshell	Straight	L
10 Waterproof Rating	IP67	7
11 Standard Cable	UL2464 PVC Jacket	A
Δ Cable Length (L)	1 to 99 meters	01,...99

10, 11, Δ Excluded in Old Part Number

SR= Strain Relief

Recommended Panel Cut-Out



Pin Configurations



04 pins



05 pins



06 pins

LTW Standard Cable:

No. of Pins	Part no.	Type	Color	OD(mm)
04	WCA0575UV01	PVC	Black	5.5
05	WCA0576UV01	PVC	Black	6.0
06	WCA0577UV01	PVC	Black	6.5

Note: Please see Cable Index for further details

Mating Parts



LTWCB- Δ 3 Δ FFM- Δ 4L Δ A Δ

See Item List



LTWCB- Δ 3BFFA- Δ 4L7001

See Item List



See Item List



See Item List

Accessories

Lock Bayonet and Screw Type (10A) : Panel Mount (Male)



LTWCB- Δ 3PMM Δ 7- Δ 8C7 Δ 11

Old Part Number: LTWCB- Δ 3PMM Δ 7- Δ 8C



Specifications

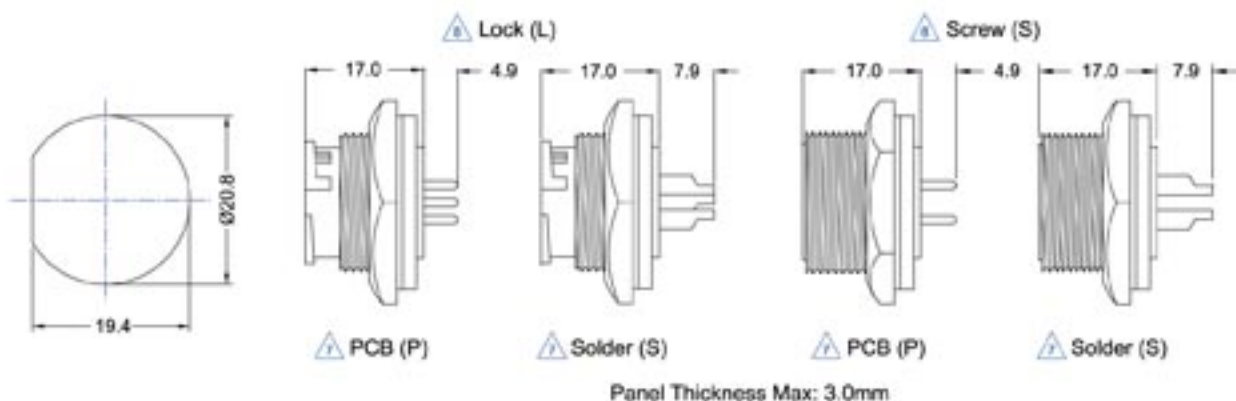
DESCRIPTION	DETAILS	CODE
1 Connector Size	Middle	C
2 Current Rating	10A	B
Δ 3 Number of Contacts	4 to 6	04,...,06
4 Connector Type	Front Mount	P
5 Connector Gender	Male	M
6 Contact Gender	Male	M
Δ 7 Assembly Style	PCB 180° or Solder	P or S
Δ 8 Mating Style	Lock or Screw	L or S
9 Backshell	Circular	C
10 Waterproof Rating	IP67	7
Δ 11 Version	4.9mm PCB Pin Length	001
	Solder Contact	001
	15.0mm PCB Pin Length	002 (New)

Material

Pin : Copper Alloy, 6u" Gold Plated
 Connector Body : Nylon + GF, UL Recognized
 Temperature Range : -40°C to 105°C

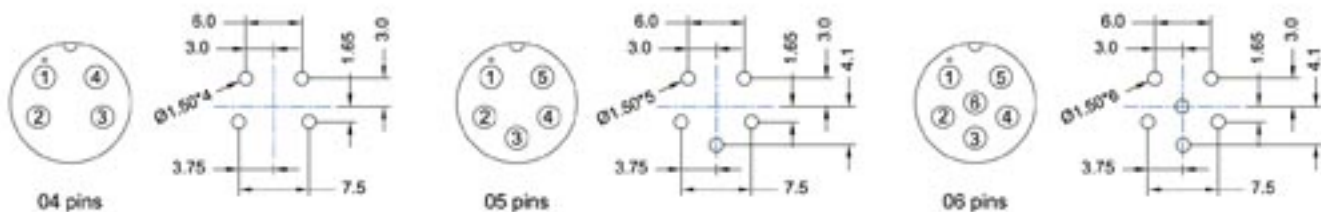
10, Δ 11 Excluded in Old Part Number
 * 15.0mm PCB Pin Length available only upon request

Recommended Panel Cut-Out



Circular Middle

Pin Configurations and PCB Layouts



Mating Parts



LTWCB- Δ 3 Δ 4FFM- Δ 8L Δ 10A Δ 11

See Item List



LTWCB- Δ 3BFFA- Δ 8L7001

See Item List



See Item List



See Item List



See Item List

Lock Bayonet and Screw Type (10A) : Panel Rear Mount (Male)

LTWCB- Δ 3RMMS- Δ 8C7001

New Product



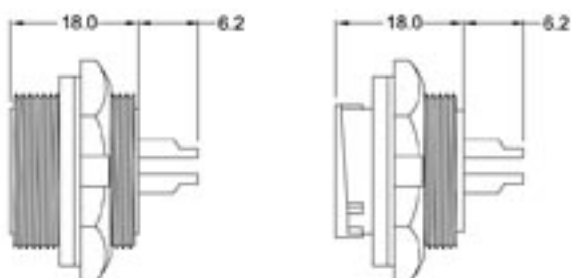
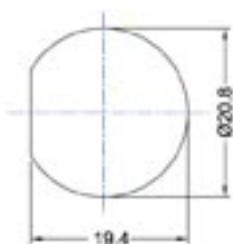
Material

Pin : Copper Alloy, 6u" Gold Plated
 Connector Body : Nylon + GF, UL Recognized
 Temperature Range : -40°C to 105°C

Specifications

DESCRIPTION	DETAILS	CODE
1 Connector Size	Middle	C
2 Current Rating	10A	B
Δ Number of Contacts	4 to 6	04 to 06
4 Connector Type	Rear Mount	R
5 Connector Gender	Male	M
6 Contact Gender	Male	M
7 Assembly Style	Solder	S
Δ Mating Style	Lock or Screw	L or S
9 Backshell	Circular	C
10 Waterproof Rating	IP67	7
11 Version	Without Cable	001

Recommended Panel Cut-Out



Δ Screw (S)

Δ Lock (L)

Panel Thickness Max: 4.5mm

Pin Configurations



04 pins



05 pins



06 pins

Mating Parts



LTWCB- Δ 4FFM- Δ L Δ A Δ

See Item List



LTWCB- Δ BFFA- Δ L7001

See Item List



See Item List

Accessory

Lock Bayonet and Screw Type (10A) : Molded with Cable (Female)



LTWCB-[△]3[△]4 FFM-[△]8[△]L[△]10[△]A[△]12[△]

Old Part Number: LTWCB-[△]△ FFM-[△]△180



Material

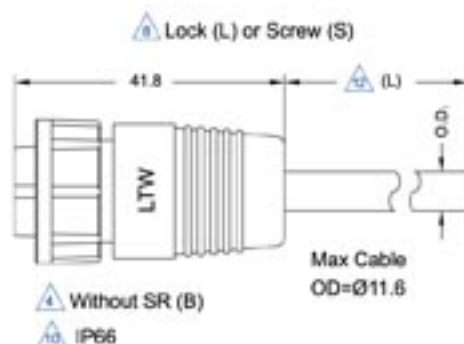
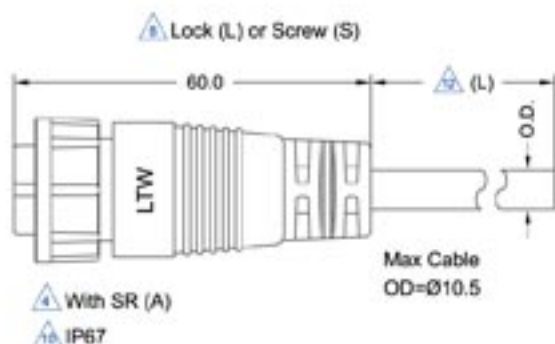
Pin : Copper Alloy, 6u" Gold Plated
 Connector Body : Nylon + GF, UL Recognized
 Cable Temperature : -20°C to 80°C

Specifications

DESCRIPTION	DETAILS	CODE
1 Connector Size	Middle	C
2 Current Rating	10A	B
[△] Number of Contacts	4 to 6	04,...06
[△] Connector Type	With or Without SR	A or B
5 Connector Gender	Female	F
6 Contact Gender	Female	F
7 Assembly Style	Molded with Cable	M
[△] Mating Style	Lock or Screw	L or S
9 Backshell	Straight	L
[△] Waterproof Rating	IP67 or IP66	7 or 6
11 Standard Cable	UL2454 PVC Jacket	A
[△] Cable Length (L)	1 to 99 meters	01,...99

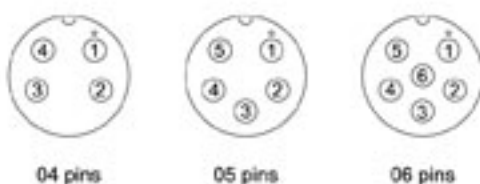
[△] 11, [△] Excluded in Old Part Number

SR= Strain Relief



Circular Middle

Pin Configurations



LTW Standard Cable:

No. of Pins	Part no.	Type	Color	OD(mm)
04	WCA0575UV01	PVC	Black	5.5
05	WCA0576UV01	PVC	Black	6.0
06	WCA0577UV01	PVC	Black	6.5

Note: Please see Cable Index for further details

Mating Parts



LTWCB-[△]3[△]4 MM[△]7[△]-[△]8 C7[△]

See Item List



LTWCB-[△]PMMM-[△]L7A[△]

See Item List



See Item List



See Item List

Lock Bayonet and Screw Type (10A) : Molded with Cable (Female)



LTWCB-³⁴FMM-⁸L¹⁰A¹²

Old Part Number: LTWCB-³⁴FMM-⁸A¹²180



Specifications

DESCRIPTION	DETAILS	CODE
1 Connector Size	Middle	C
2 Current Rating	10A	B
[△] Number of Contacts	4 to 5	04 to 05
[△] Connector Type	With or Without SR	A or B
5 Connector Gender	Female	F
6 Contact Gender	Male	M
7 Assembly Style	Molded with Cable	M
[△] Mating Style	Lock or Screw	L or S
9 Backshell	Straight	L
[△] Waterproof Rating	IP67 or IP66	7 or 6
11 Standard Cable	UL2464 PVC Jacket	A
[△] Cable Length (L)	1 to 99 meters	01,...,99

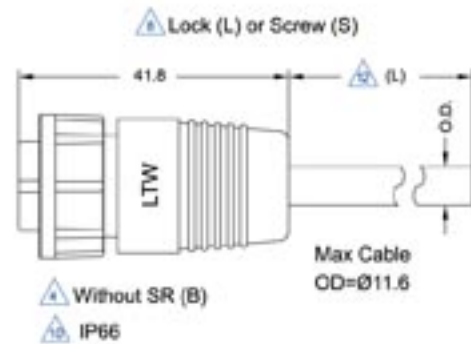
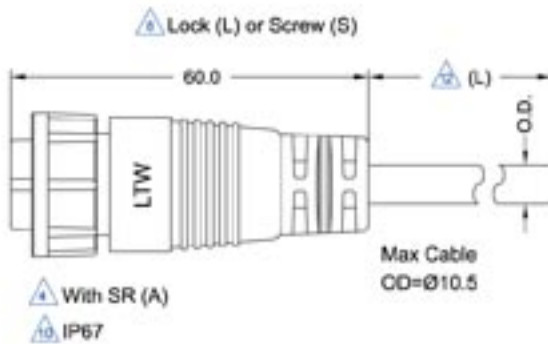
[△] 11, [△] Excluded in Old Part Number

SR= Strain Relief

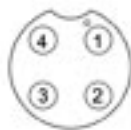
Material

Pin : Copper Alloy, 6u" Gold Plated
 Connector Body : Nylon + GF, UL Recognized
 Cable Temperature : -20°C to 80°C

Circular Middle



Pin Configurations



04 pins



05 pins

LTW Standard Cable:

No. of Pins	Part no.	Type	Color	OD(mm)
04	WCA0575UV01	PVC	Black	5.5
05	WCA0576UV01	PVC	Black	6.0

Note: Please see Cable Index for further details

Mating Parts



LTWCB-³⁴MF⁷-[△]C7[△]

See Item List

Accessories



See Item List



See Item List

Lock Bayonet and Screw Type (10A) : Field Installable (Female)



LTWCB- Δ 3 BFFA- Δ 8 L7001

New Product



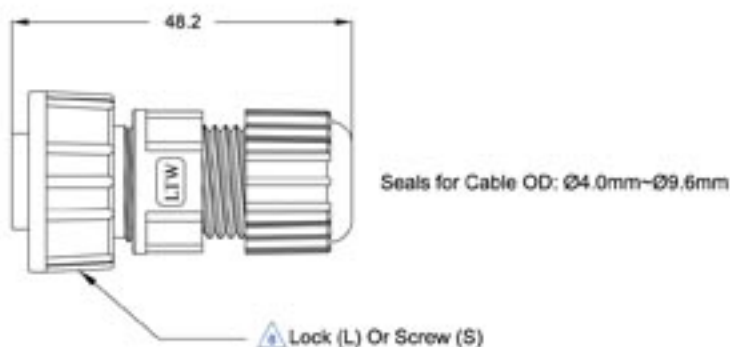
Specifications

DESCRIPTION	DETAILS	CODE
1 Connector Size	Middle	C
2 Current Rating	10A	B
Δ Number of Contacts	4 to 6	04...06
4 Connector Type	Without SR	B
5 Connector Gender	Female	F
6 Contact Gender	Female	F
7 Assembly Style	Field Installable	A
Δ Mating Style	Lock or Screw	L or S
9 Backshell	Straight	L
10 Waterproof Rating	IP67	7
11 Version	Without Cable	001

Material

Pin : Copper Alloy, 6u" Gold Plated
 Connector Body : Nylon + GF, UL Recognized
 Temperature Range : -40°C to 105°C

SR= Strain Relief



Circular Middle

Pin Configurations



04 pins



05 pins



06 pins

Mating Parts



LTWCB- Δ MM- Δ C7- Δ

See Item List



LTWCB- Δ PMMM- Δ L7A- Δ

See Item List

Accessories



See Item List



See Item List



See Item List

Lock Bayonet and Screw Type (10A) : Field Installable (Female)



LTWCB-³BFMA-⁸L7001

New Product



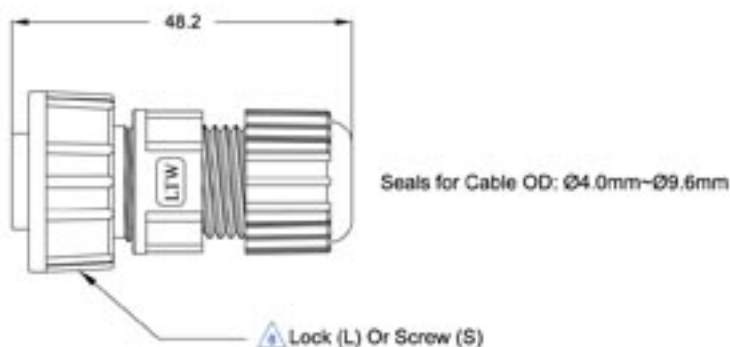
Specifications

DESCRIPTION	DETAILS	CODE
1 Connector Size	Middle	C
2 Current Rating	10A	B
[△] 3 Number of Contacts	4 to 5	04 to 05
4 Connector Type	Without SR	B
5 Connector Gender	Female	F
6 Contact Gender	Male	M
7 Assembly Style	Field Installable	A
[△] 8 Mating Style	Lock or Screw	L or S
9 Backshell	Straight	L
10 Waterproof Rating	IP67	7
11 Version	Without Cable	001

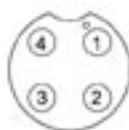
Material

Pin : Copper Alloy, 6u" Gold Plated
 Connector Body : Nylon + GF, UL Recognized
 Temperature Range : -40°C to 105°C

SR= Strain Relief



Pin Configurations



04 pins



05 pins

Mating Parts



LTWCB-³[△]MF⁷-⁸C7[△]

See Item List



LTWCB-³PMFM-[△]L7A[△]

See Item List

Accessories



See Item List



See Item List



See Item List

Lock Bayonet and Screw Type (20A) : Panel Mount (Male)

LTWCC-03PMM ⁷ - ⁸ C7 ¹¹

Old Part Number: LTWCC-03PMM ⁷ - ⁸ C



Material

Pin : Copper Alloy, 6u" Gold Plated
 Connector Body : Nylon + GF, UL Recognized
 Temperature Range : -40°C to 105°C

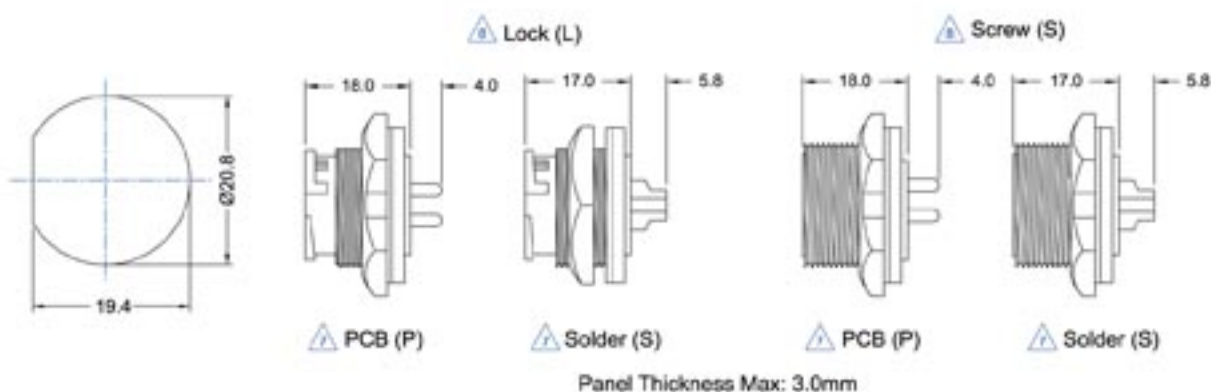
Specifications

DESCRIPTION	DETAILS	CODE
1 Connector Size	Middle	C
2 Current Rating	20A	C
3 Number of Contacts	3	03
4 Connector Type	Front Mount	P
5 Connector Gender	Male	M
6 Contact Gender	Male	M
⁷ Assembly Style	PCB 180° or Solder	P or S
⁸ Mating Style	Lock or Screw	L or S
9 Backshell	Circular	C
10 Waterproof Rating	IP67	7
¹¹ Version	4.0mm PCB Pin Length	001
	Solder Contact	001
	18.0mm PCB Pin Length	002 (New)

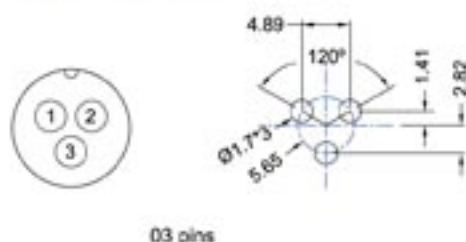
10, ¹¹ Excluded in Old Part Number

* 18.0mm PCB Pin Length available only upon request

Recommended Panel Cut-Out



Pin Configuration and PCB Layout



Mating Parts



LTWCC-03 ⁷FFM-⁸L¹¹A¹¹

See Item List



LTWCC-03BFFA-⁷L7001

See Item List

Accessories



See Item List



See Item List



See Item List

Lock Bayonet and Screw Type (20A) : Panel Rear Mount (Male)

LTWCC-03RMMS-C7001


New Product



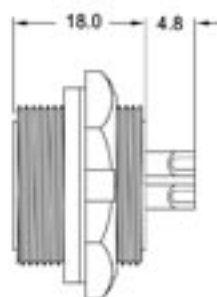
Material

Pin : Copper Alloy, 6u" Gold Plated
 Connector Body : Nylon + GF, UL Recognized
 Temperature Range : -40°C to 105°C

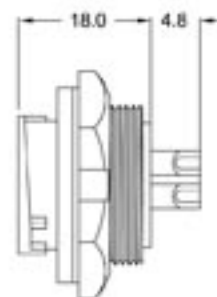
Specifications

DESCRIPTION	DETAILS	CODE
1 Connector Size	Middle	C
2 Current Rating	20A	C
3 Number of Contacts	3	03
4 Connector Type	Rear Mount	R
5 Connector Gender	Male	M
6 Contact Gender	Male	M
7 Assembly Type	Solder	S
 Mating Style	Lock or Screw	L or S
9 Backshell	Circular	C
10 Waterproof Rating	IP67	7
11 Version	Without Cable	001

Recommended Panel Cut-Out



 Screw (S)



 Lock (L)

Panel Thickness Max: 4.5mm

Pin Configurations



03 pins

Mating Parts



LTWCC-03FFM-LAA

See Item List



LTWCC-03BFFA-L7001

See Item List



See Item List

Accessory

Lock Bayonet and Screw Type (20A) : Molded with Cable (Female)



LTWCC-03^{△4}FFM-^{△8}L^{△10}A^{△12}

Old Part Number: LTWCC-^{△△}FFM-[△]180



Specifications

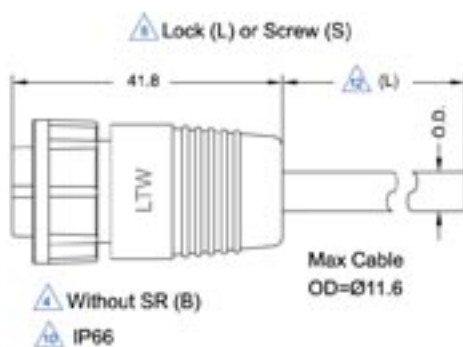
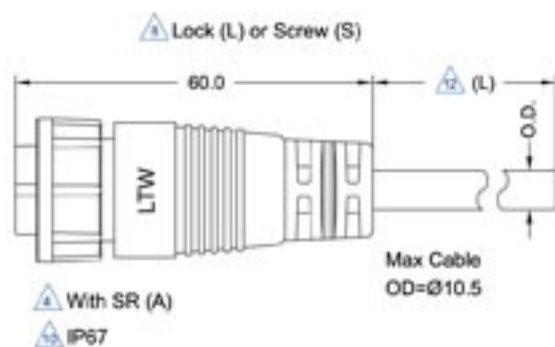
DESCRIPTION	DETAILS	CODE
1 Connector Size	Middle	C
2 Current Rating	20A	C
3 Number of Contacts	3	03
[△] Connector Type	With or Without SR	A or B
5 Connector Gender	Female	F
6 Contact Gender	Female	F
7 Assembly Style	Molded with Cable	M
[△] Mating Style	Lock or Screw	L or S
9 Backshell	Straight	L
[△] Waterproof Rating	IP67 or IP66	7 or 6
11 Standard Cable	UL2464 PVC Jacket	A
[△] Cable Length (L)	1 to 99 meters	01,....,99

[△], 11, [△] Excluded in Old Part Number

SR= Strain Relief

Material

Pin : Copper Alloy, 6u" Gold Plated
 Connector Body : Nylon + GF, UL Recognized
 Cable Temperature : -20 °C to 80 °C



Circular Middle

Pin Configuration



03 pins

LTW Standard Cable:

No. of Pins	Part no.	Type	Color	OD(mm)
03	WCA0579UV01	PVC	Black	7.5

Note: Please see Cable Index for further details

Mating Parts



LTWCC-03[△]MM[△]-[△]C7[△]

See Item List

Accessories



See Item List



See Item List

Lock Bayonet and Screw Type (20A) : Field Installable (Female)



LTWCC- 03BFFA- Δ ₈ L7001

New Product



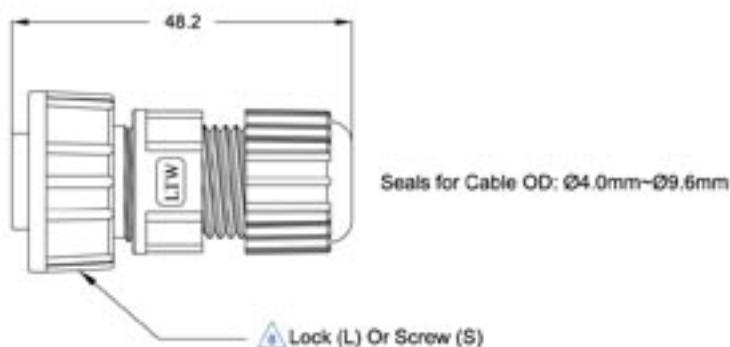
Specifications

DESCRIPTION	DETAILS	CODE
1 Connector Size	Middle	C
2 Current Rating	20A	C
3 Number of Contacts	3	03
4 Connector Type	Without SR	B
5 Connector Gender	Female	F
6 Contact Gender	Female	F
7 Assembly Style	Field Installable	A
Δ Mating Style	Lock or Screw	L or S
9 Backshell	Straight	L
10 Waterproof Rating	IP67	7
11 Version	Without Cable	001

Material

Pin : Copper Alloy, 6u" Gold Plated
 Connector Body : Nylon + GF, UL Recognized
 Temperature Range : -40°C to 105°C

SR= Strain Relief



Pin Configuration



03 pins

Mating Parts



LTWCC- 03 Δ MM Δ ₇- Δ ₇ C7 Δ ₁

See Item List

Accessories



See Item List



See Item List



See Item List

Lock Bayonet and Screw Type (5A+2A) : Panel Mount (Male)

LTWCDu-³PMF⁷-⁸C7¹¹

Old Part Number: LTWCDu-³PMF⁷-⁸C



Material

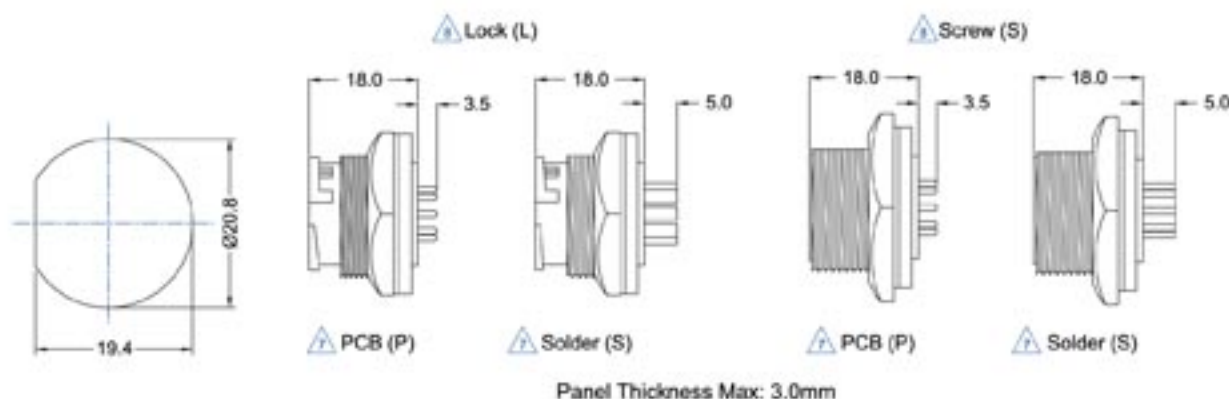
Pin : Copper Alloy, 6u" Gold Plated
 Connector Body : Nylon + GF, UL Recognized
 Temperature Range : -40°C to 105°C

Specifications

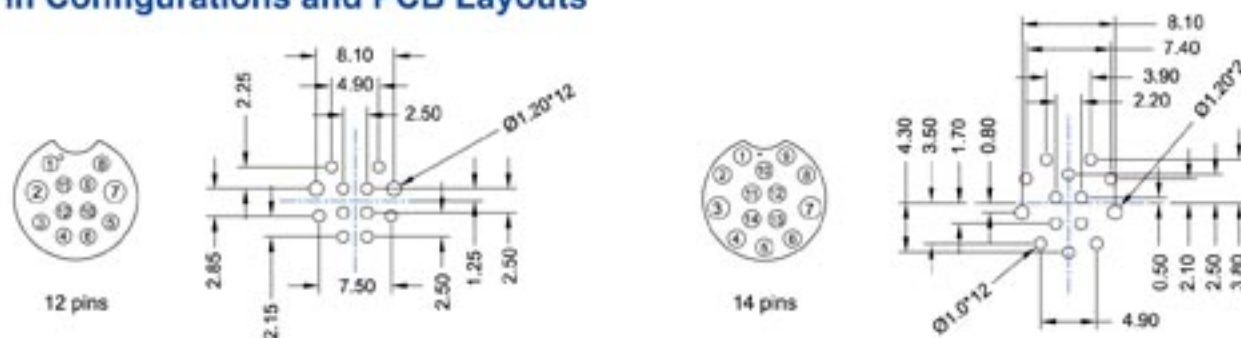
DESCRIPTION	DETAILS	CODE
1 Connector Size	Middle	C
2 Current Rating	5A+2A	Du
[△] Number of Contacts	12 or 14	12 or 14
4 Connector Type	Front Mount	P
5 Connector Gender	Male	M
6 Contact Gender	Female	F
[△] Assembly Style	PCB 180° or Solder	P or S
[△] Mating Style	Lock or Screw	L or S
9 Backshell	Circular	C
10 Waterproof Rating	IP67	7
[△] Version	3.5mm PCB Pin Length	001
	Solder Contact	001

10. [△] Excluded in Old Part Number

Recommended Panel Cut-Out



Pin Configurations and PCB Layouts



Mating Parts



LTWCDu-³FMM-⁸L¹⁰A¹¹

See Item List



LTWCDu-³BFMA-⁸L7001

See Item List



See Item List



See Item List



See Item List

Lock Bayonet and Screw Type (5A+2A) : Molded with Cable (Female)

LTWCDu-³⁴FMM-⁸L¹⁰A¹²

Old Part Number: LTWCDu-³⁴FMM-L180



Specifications

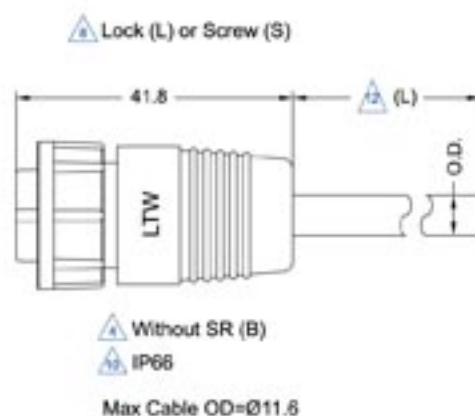
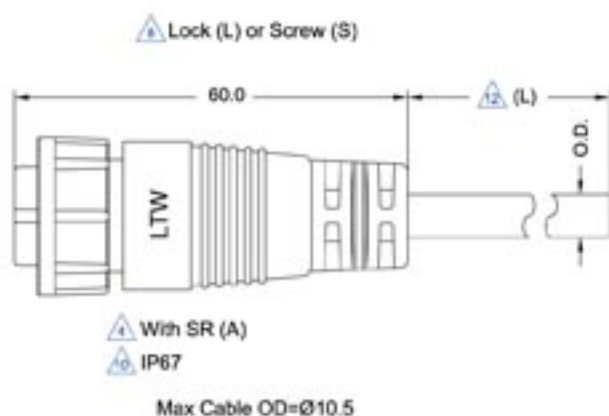
DESCRIPTION	DETAILS	CODE
1 Connector Size	Middle	C
2 Current Rating	5A+2A	Du
³ Number of Contacts	12 or 14	12, 14
⁴ Connector Type	With or Without SR	A or B
5 Connector Gender	Female	F
6 Contact Gender	Male	M
7 Assembly Style	Molded with Cable	M
⁸ Mating Style	Lock or Screw	L or S
9 Backshell	Straight	L
¹⁰ Waterproof Rating	IP67 or IP66	7 or 6
11 Standard Cable	UL2464 PVC Jacket	A
¹² Cable Length (L)	1 to 99 meters	01,...,99

³, ¹¹, ¹² Excluded in Old Part Number

SR= Strain Relief

Material

Pin : Copper Alloy, 6u" Gold Plated
 Connector Body : Nylon + GF, UL Recognized
 Cable Temperature : -20 °C to 80 °C



Pin Configurations



12 pins



14 pins

LTW Standard Cable:

No. of Pins	Part no.	Type	Color	OD(mm)
12	WCA0557UV01	PVC	Black	7.0
14	WCA0558UV01	PVC	Black	7.0

Note: Please see Cable Index for further details

Mating Parts



LTWCDu-³PMF⁴-⁸C7¹²

See Item List

Accessories



See Item List



See Item List

Lock Bayonet and Screw Type (5A+2A) : Field Installable (Female)

LTWCDu- Δ ₃BFMA- Δ ₈L7001

New Product



Specifications

DESCRIPTION	DETAILS	CODE
1 Connector Size	Middle	C
2 Current Rating	5A+2A	Du
Δ 3 Number of Contacts	12 or 14	12, 14
4 Connector Type	Without SR	B
5 Connector Gender	Female	F
6 Contact Gender	Male	M
7 Assembly Style	Field Installable	A
Δ 8 Mating Style	Lock or Screw	L or S
9 Backshell	Straight	L
10 Waterproof Rating	IP67	7
11 Version	Without Cable	001

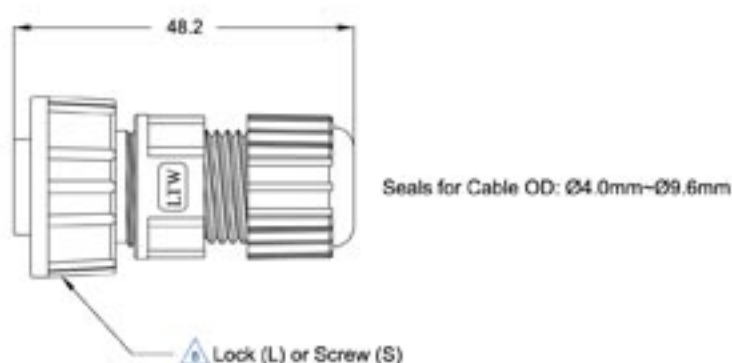
SR= Strain Relief

Material

Pin : Copper Alloy, 6u" Gold Plated

Connector Body : Nylon + GF, UL Recognized

Temperature Range : -40°C to 105°C



Circular Middle

Pin Configurations



12 pins



14 pins

Mating Parts



LTWCDu- Δ PMF Δ ₁- Δ ₂C7 Δ

See Item List

Accessories



See Item List



See Item List

Lock Bayonet and Screw Type (10A+5A) : Panel Mount (Male)

LTWCBD-08PMF \triangle_7 - \triangle_8 C7 \triangle_{11}

New Product



Material

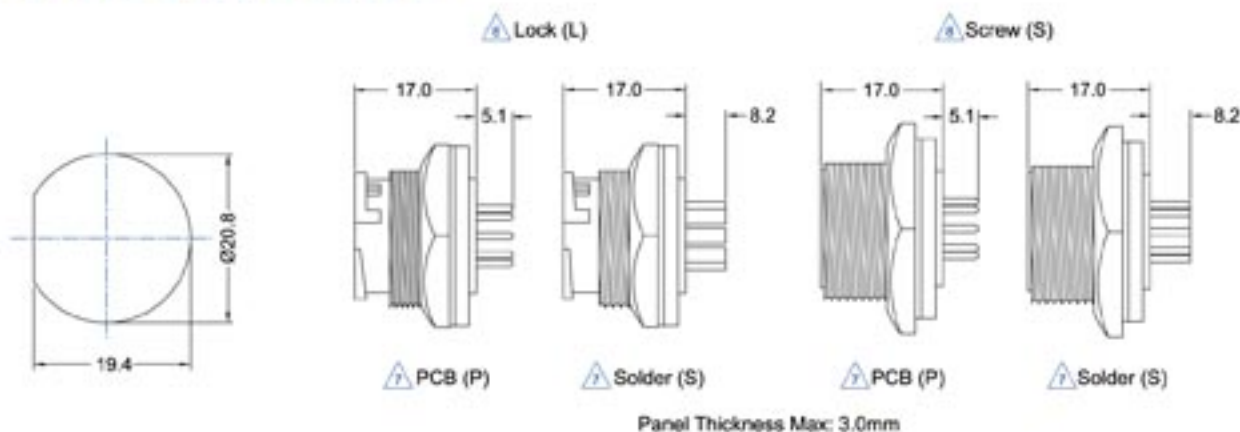
Pin : Copper Alloy, 6u" Gold Plated
 Connector Body : Nylon + GF, UL Recognized
 Temperature Range : -40°C to 105°C

Specifications

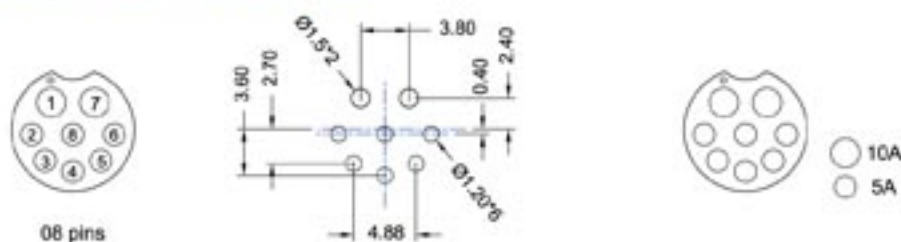
DESCRIPTION	DETAILS	CODE
1 Connector Size	Middle	C
2 Current Rating	10A+5A	BD
3 Number of Contacts	8	08
4 Connector Type	Front Mount	P
5 Connector Gender	Male	M
6 Contact Gender	Female	F
\triangle_7 Assembly Style	PCB 180° or Solder	P or S
\triangle_8 Mating Style	Lock or Screw	L or S
9 Backshell	Circular	C
10 Waterproof Rating	IP67	7
\triangle_{11} Version	5.1mm PCB Pin Length	001
	Solder Contact	001

10. \triangle_{11} Excluded in Old Part Number

Recommended Panel Cut-Out



Pin Configuration and PCB Layout



Mating Parts



LTWCBD-08 \triangle_4 FMM- \triangle_5 L \triangle_{10} A \triangle_{11}

See Item List

Accessories



See Item List



See Item List



See Item List

Lock Bayonet and Screw Type (10A+5A) : Panel Mount (Male)

LTWCBD-08PMM \triangle_7 - \triangle_8 C7 \triangle_{11}

New Product



Material

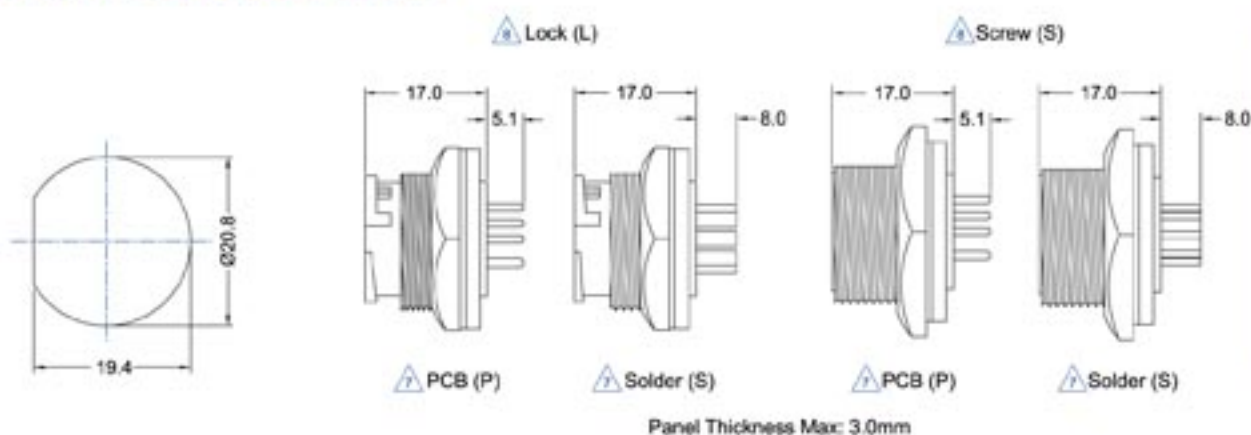
Pin : Copper Alloy, 6u" Gold Plated
 Connector Body : Nylon + GF, UL Recognized
 Temperature Range : -40°C to 105°C

Specifications

DESCRIPTION	DETAILS	CODE
1 Connector Size	Middle	C
2 Current Rating	10A+5A	BD
3 Number of Contacts	8	08
4 Connector Type	Front Mount	P
5 Connector Gender	Male	M
6 Contact Gender	Male	M
\triangle_7 Assembly Style	PCB 180° or Solder	P or S
\triangle_8 Mating Style	Lock or Screw	L or S
9 Backshell	Circular	C
10 Waterproof Rating	IP67	7
\triangle_{11} Version	5.1mm PCB Pin Length	001
	Solder Contact	001

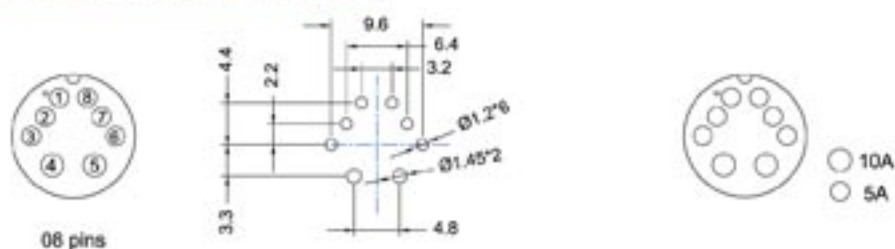
10. \triangle_{11} Excluded in Old Part Number

Recommended Panel Cut-Out



Circular Middle

Pin Configuration and PCB Layout



Mating Parts



LTWCBD-08 \triangle_{FFM} \triangle_L \triangle_A \triangle_{A}

See Item List

Accessories



See Item List



See Item List



See Item List

Lock Bayonet and Screw Type (10A+5A) : Molded with Cable (Female)

LTWCBD- 08^{△4}FFM-^{△8}L^{△10}A^{△12}

New Product



Specifications

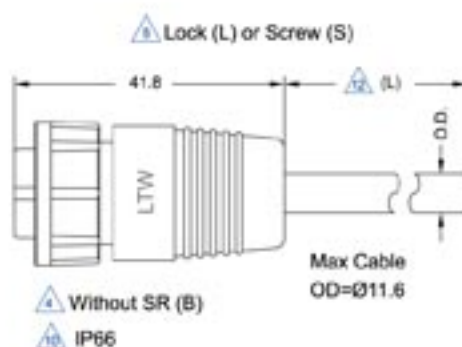
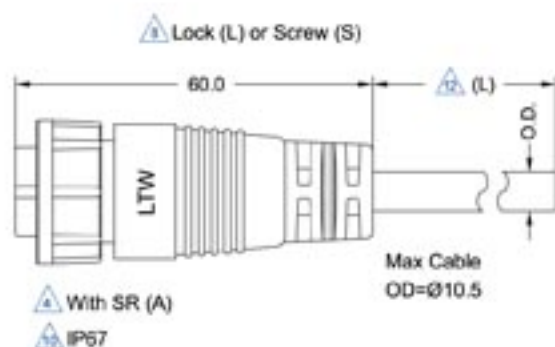
DESCRIPTION	DETAILS	CODE
1 Connector Size	Middle	C
2 Current Rating	10A+5A	BD
3 Number of Contacts	8	08
^{△4} Connector Type	With or Without SR	A or B
5 Connector Gender	Female	F
6 Contact Gender	Female	F
7 Assembly Style	Molded with Cable	M
^{△8} Mating Style	Lock or Screw	L or S
9 Backshell	Straight	L
^{△10} Waterproof Rating	IP67 or IP66	7 or 6
11 Standard Cable	UL2464 PVC Jacket	A
^{△12} Cable Length (L)	1 to 99 meters	01,....,99

^{△4}, 11, ^{△12} Excluded in Old Part Number

SR= Strain Relief

Material

Pin : Copper Alloy, 6u" Gold Plated
 Connector Body : Nylon + GF, UL Recognized
 Cable Temperature : -20 °C to 80 °C



Pin Configuration



08 pins

LTW Standard Cable:

No. of Pins	Part no.	Type	Color	OD(mm)
08	WCA0003UV01	PVC	Black	5.5

Note: Please see Cable Index for further details

Mating Parts



LTWCBD- 08PMM^{△4}-^{△8}C7^{△12}

See Item List

Accessories



See Item List



See Item List

Lock Bayonet and Screw Type (10A+5A) : Molded with Cable (Female)

LTWCBD- 08⁴FMM-⁸L¹⁰A¹²

New Product



Specifications

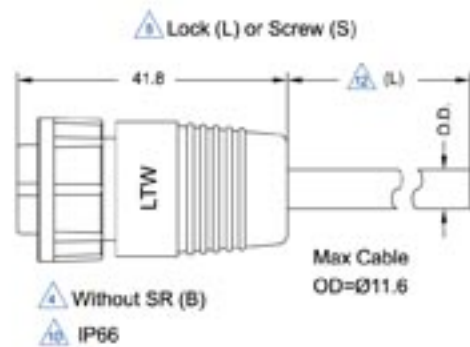
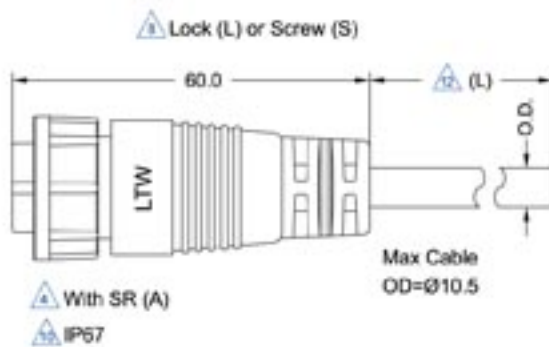
DESCRIPTION	DETAILS	CODE
1 Connector Size	Middle	C
2 Current Rating	10A+5A	BD
3 Number of Contacts	8	08
⁴ Connector Type	With or Without SR	A or B
5 Connector Gender	Female	F
6 Contact Gender	Male	M
7 Assembly Style	Molded with Cable	M
⁸ Mating Style	Lock or Screw	L or S
9 Backshell	Straight	L
¹⁰ Waterproof Rating	IP67 or IP66	7 or 6
11 Standard Cable	UL2464 PVC Jacket	A
¹² Cable Length (L)	1 to 99 meters	01,....,99

⁴, 11, ¹² Excluded in Old Part Number

SR= Strain Relief

Material

Pin : Copper Alloy, 6u" Gold Plated
 Connector Body : Nylon + GF, UL Recognized
 Cable Temperature : -20 °C to 80 °C



Circular Middle

Pin Configuration



08 pins

LTW Standard Cable:

No. of Pins	Part no.	Type	Color	OD(mm)
08	WCA0003UV01	PVC	Black	5.5

Note: Please see Cable Index for further details

Mating Parts



LTWCBD- 08PMF⁴-⁸C7¹²

See Item List

Accessories



See Item List



See Item List

B.C.E. S.r.l. □

Via Regina Pacis, nr.54/c - I 41049 Sassuolo (MO) - T. (+39)0536 811616r.a.- F. (+39)0536 811500

Email : bce@bce.it - Web : www.bce.it