

RJ45 SERIES

LTW® INNOVATOR & MANUFACTURER OF WATERPROOF AND ENVIRONMENT-PROOF WORLD

OPTION 1



OPTION 2



OPTION 3



OPTION 4



OPTION 5



OPTION 6



OPTION 7




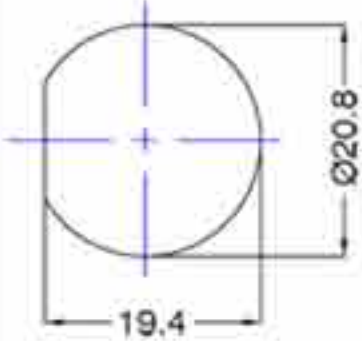



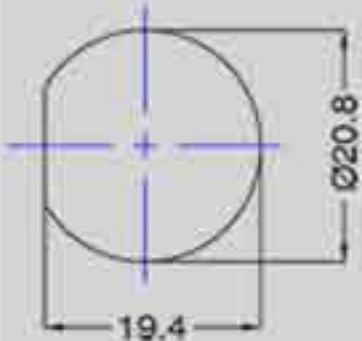



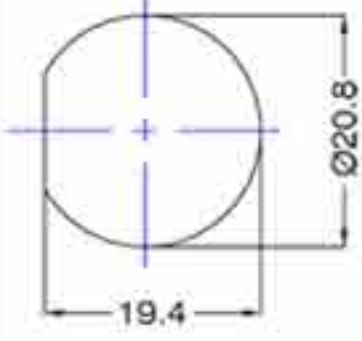


ACCESSORIES



PANEL (CHASSIS) MOUNT

MATING PAIRS OF 1, 2 AND 3

ACCESSORIES

PANEL (CHASSIS) MOUNT					MATING PAIRS OF 1, 2 AND 3			ACCESSORIES
CONNECTOR	P/N	PANEL CUT-OUT	IP RATING	FEATURES	CONNECTOR	P/N	FEATURES	P/N
1 	LTWRJ-5EPFFD-SC7001		MATED IP67	SCREW TYPE CAT5E PUNCH DOWN WIRING		LTWRJ-008MMA-SL7005	SCREW TYPE CAT5 OR CAT5E FTP/UTP UNSHIELDED FIELD INSTALLABLE FOR PRE-TERMINATED RJ45 PLUG	
2 	LTWRJS-5EPFFJ-SC7002 LTWRJS-5EPFFJ-SC7003		MATED IP67 MATED IP67	SCREW TYPE CAT5E SHIELDED JACK TERMINATION SCREW TYPE CAT5E SHIELDED JACK TERMINATION WITH GROUNDED PIN		LTWRJ-00AMMA-SL7002	SCREW TYPE CAT5 OR CAT5E FTP/UTP UNSHIELDED FIELD INSTALLABLE FOR PRE-TERMINATED RJ45 PLUG	
3 	LTWRJS-5EPFFJ-SC7001		MATED IP67	SCREW TYPE CAT5E SHIELDED 90° JACK TERMINATION		LTWRJ-058MMM-SL7DXX LTWRJ-5EBMMM-SL7DXX LTWRJS-058MMM-SL7EXX LTWRJS-5EBMMM-SL7EXX	SCREW TYPE CAT5 OR CAT5E SHIELDED/UNSHIELDED MOLDED WITH CABLE	

PANEL (CHASSIS) MOUNT

MATING PAIRS OF 1, 2, 3 AND 4

ACCESSORIES

PANEL (CHASSIS) MOUNT					MATING PAIRS OF 1, 2, 3 AND 4			ACCESSORIES
CONNECTOR	P/N	PANEL CUT-OUT	IP RATING	FEATURES	CONNECTOR	P/N	FEATURES	P/N
1 	LTWRJ-5EAFFM-SL7XXX LTWRJS-5EAFFM-SL7XXX		UNMATED IP67	SCREW TYPE CAT5E SHIELDED/UNSHIELDED MOLDED WITH CABLE		LTWRJ-008MMA-SL7005	SCREW TYPE CAT5 OR CAT5E E/F/U/P UNSHIELD FIELD INSTALLABLE FOR PRE-TERMINATED RJ45 PLUG	 LTWCP-CAGPFSAT
2 	LTWRJS-5EPFFJ-SC7005 LTWRJS-5EPFFJ-SC7006		MATED IP67	SCREW TYPE CAT5E SHIELDED READY TO CONNECT SCREW TYPE CAT5E SHIELDED READY TO CONNECT WITHOUT GROUND PIN		LTWRJ-00AMMA-SL7002	SCREW TYPE CAT5 OR CAT5E E/F/U/P UNSHIELDED FIELD INSTALLABLE FOR PRE-TERMINATED RJ45 PLUG	 LTWCAP-WACPMSB1
3 NEW 	LTWRJS-5EPFFJ-SC7004		UN-MATED IP67	SCREW TYPE CAT5E SHIELDED JACK TERMINATION WITH GROUND PIN		LTWRJ-058MMM-SL70XX LTWRJ-588MMM-SL7DXX LTWRJS-058MMM-SL7DXX LTWRJS-588MMM-SL7DXX	SCREW TYPE CAT5 OR CAT5E SHIELDED/UNSHIELDED MOLDED WITH CABLE	 LTWCAP-WACPMS1  LTWCAP-WACPMSD1
4 NEW  M	LTWRJS-5EPFFJ-SC7008		UN-MATED IP67	METAL TYPE SCREW TYPE CAT5E SHIELDED JACK TERMINATION		LTWRJ-008MMA-SL7006	SCREW TYPE CAT5 OR CAT5E E/F/U/P SHIELDED FIELD INSTALLABLE FOR PRE-TERMINATED RJ45 PLUG	 LTWRJS-12008FM-RS8001
5 NEW  M	LTWRJS-5EPFFJ-SC7009		UN-MATED IP67	METAL TYPE SCREW TYPE CAT5E SHIELDED JACK TERMINATION		LTWRJ-008MMA-SL7006	SCREW TYPE CAT5 OR CAT5E E/F/U/P SHIELDED FIELD INSTALLABLE FOR PRE-TERMINATED RJ45 PLUG	

M MATING PAIR OF CONNECTOR #4

PANEL (CHASSIS) MOUNT

MATING PAIRS OF 1, 2 AND 3


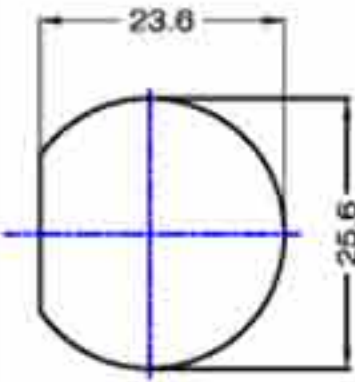




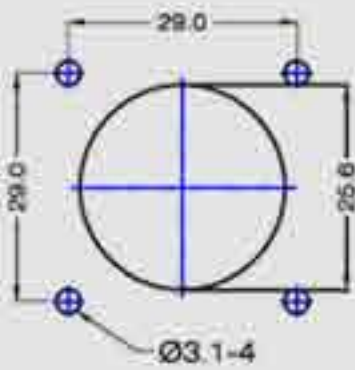


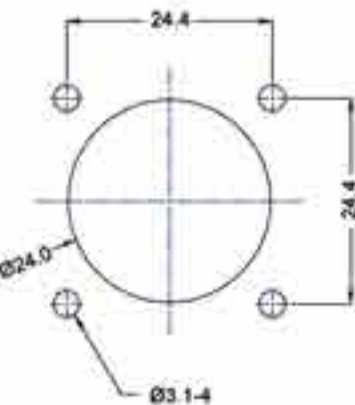
ACCESSORIES

CONNECTOR	P/N	PANEL CUT-OUT	IP RATING	FEATURES	CONNECTOR	P/N	FEATURES	P/N
1 	LTWRJS-5EPFFJ-SS7001		MATED IP67	SCREW TYPE CAT5E SHIELDED JACK TERMINATION		LTWRJS-05AMMM-SL7AXX LTWRJS-5EAMMM-SL7AXX	SCREW TYPE CAT5 OR CAT5E SHIELDED 90° MOLDED WITH CABLE 180° MOLDED WITH CABLE	 LTWCAP-WAFPMSB1
	LTWRJS-5EPFFJ-SS7002			SCREW TYPE CAT5E SHIELDED READY TO CONNECT TERMINATED WITH PLUG		LTWRJS-05AMMM-SR7AXX LTWRJS-5EAMMM-SR7AXX		
2 	LTWRJS-5EPFFD-SS7002		MATED IP67	SCREW TYPE CAT5E SHIELDED PUNCH-DOWN WIRING		LTWRJ-00BMMMA-SL7004	SCREW TYPE CAT5 OR CAT5E UNSHIELDED FIELD INSTALLABLE FOR PRE-TERMINATED RJ45 PLUG	 LTWCAP-WAFPMSD1
3 	LTWRJS-00PFFR-SS7001		MATED IP67	SCREW TYPE SHIELDED PCB 90 DEGREES		LTWRJ-00AMMA-SL7001	SCREW TYPE CAT5 OR CAT5E UNSHIELDED FIELD INSTALLABLE FOR PRE-TERMINATED	

PANEL (CHASSIS) MOUNT

MATING PAIRS OF 1, 2 AND 3

ACCESSORIES

CONNECTOR	P/N	PANEL CUT-OUT	IP RATING	FEATURES	CONNECTOR	P/N	FEATURES	P/N
1 	LTWRJS-5EPFFD-SC7XXX LTWRJS-06PFFD-SC7001		MATED IP67	SCREW TYPE CAT5E OR CAT6 SHIELDED PUNCH DOWN WIRING	CAN ONLY BE MATED TO 1 AND 2 		SCREW TYPE FIELD INSTALLABLE FOR PRE-TERMINATED RJ45 PLUG	 LTWCAP-WAFPMSA1  LTWCAP-WAFPMSB1
2 	LTWRJS-5EPFFD-SS7001 LTWRJS-06PFFD-SS7001		MATED IP67	SCREW TYPE CAT5E OR CAT6 SHIELDED PUNCH DOWN WIRING	CAN ONLY BE MATED TO 3 		SCREW TYPE FIELD INSTALLABLE FOR PRE-TERMINATED RJ45 PLUG	
3 	LTWRJ-5EPFFD-SS7001 LTWRJ-06PFFD-SS7001		MATED IP67	SCREW TYPE CAT5E OR CAT6 PUNCH DOWN WIRING			SCREW TYPE FIELD INSTALLABLE FOR PRE-TERMINATED RJ45 PLUG	

PANEL (CHASSIS) MOUNT

MATING PAIRS


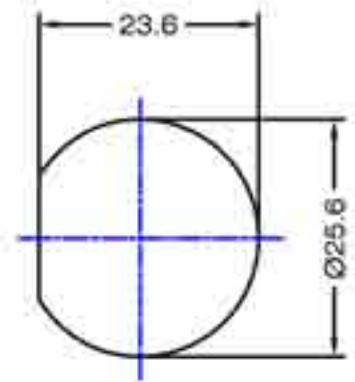

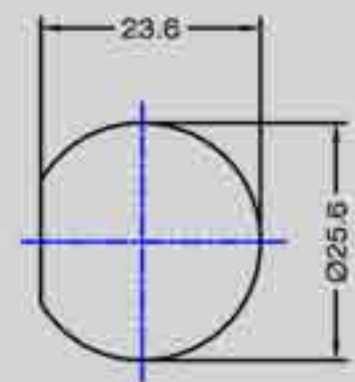

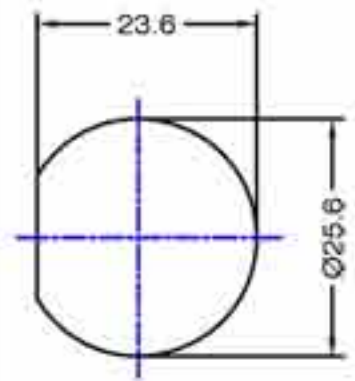

ACCESSORIES

CONNECTOR	P/N	PANEL CUT-OUT	IP RATING	FEATURES	CONNECTOR	P/N	FEATURES	P/N
	LTWRJS-5EPFFP-LC7001 LTWRJS-5EPFFP-LC7001		UNMATED IP67	LOCK TYPE CAT5E UNSHIELDED CAT5E SHIELDED PCB TYPE		LTWRJ-5EAMMM-LL7XXX LTWRJS-5EAMMM-LL7XXX	LOCK TYPE CAT5 SHIELDED CAT5E SHIELDED 180° MOLDED WITH CABLE	 LTWCAP-WADPMLB1
	LTWRJS-5EAMMM-LR7XXX		UNMATED IP67	LOCK TYPE CAT5 SHIELDED CAT5E SHIELDED PANEL WITH CABLE		LTWRJ-5EAMMM-LR7XXX	LOCK TYPE CAT5 SHIELDED CAT5E SHIELDED 90° MOLDED WITH CABLE	 LTWCAP-WADPMLC1
						LTWRJ-00AMMA-LL7001 LTWRJ-00BMMA-LL7001	LOCK TYPE FIELD INSTALLABLE FOR PRE-TERMINATED RJ45 PLUG	

PANEL (CHASSIS) MOUNT

MATING PAIRS

ACCESSORIES

CONNECTOR	P/N	PANEL CUT-OUT	IP RATING	FEATURES	CONNECTOR	P/N	FEATURES	P/N
	LTWRJS-00PFFJ-SC7001		MATED IP67	SCREW TYPE CAN BE USED FOR PANEL CAN BE USED IN-LINE SHIELDED				
	LTWRJS-00BFFA-SL7001		MATED IP67	SCREW TYPE CAN BE USED FOR PANEL CAN BE USED IN-LINE SHIELDED				
	LTWRJS-00PFFA-SC7001		MATED IP67	SCREW TYPE CAN BE USED FOR PANEL CAN BE USED IN-LINE SHIELDED				 LTWCAP-WBGPFSC1

PANEL (CHASSIS) MOUNT

MATING PAIRS

ACCESSORIES

CONNECTOR

P/N

PANEL CUT-OUT

IP RATING

FEATURES

CONNECTOR

P/N

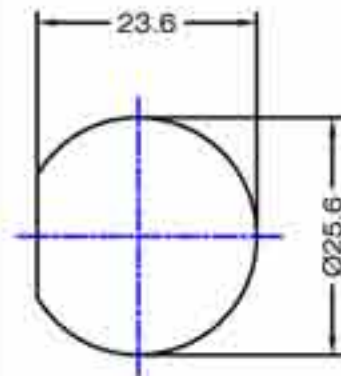
FEATURES

P/N

NEW



LTWRJS-5EPFFJ-SC7007



MATED IP67

CAT5E UNSHIELDED
RJ45 NON-WATERPROOF
WITH GROUND PIN

PANEL (CHASSIS) MOUNT

MATING PAIRS

ACCESSORIES

CONNECTOR

P/N

PANEL CUT-OUT

IP RATING

FEATURES

CONNECTOR

P/N

FEATURES

P/N

NEW



LTWCSG-16G010

n/a

MATED
WATERPROOF IP68SCREW TYPE
CABLE RANGE
Ø 10.0mm
TO
Ø 14.0mm