



IEEE 1394 Connector

1. Specifications	267
2. How to Order	268
3. Item List	269

IEEE 1394 for Panel

IEEE 1394 Molded with Cable

IEEE 1394 for Field Installable



SPECIFICATIONS

IEEE 1394

No.	SPECIFICATIONS	STANDARD VALUE
01	Manufacturer Identifications	IEEE 1394 Connector
02	Description	Panel Mount, Molded with Cable and Field Installable
03	Current Rating	0.5 A
04	Material	Contacts: Copper Alloy, Gold Plated Connector Body: PBT UL94V-0
05	Temperature Range	-20°C to +80°C
06	Waterproof Rating	IP67, IP68
07	Contact Resistance	≤ 30 mΩ Max.
08	Insulation Resistance	≥ 100 MΩ at DC 500V
09	Breakdown Voltage	≥ AC 500V / 1 Minute

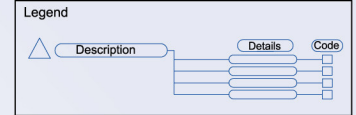
HOW TO ORDER

IEEE 1394

LTW 1 - 2 3 4 5 6 - 7 8 9 10 11

LT : Liang Tei



W : Waterproof



IEEE 1394

ITEM LIST

IEEE 1394

Item Number	DESCRIPTION	Page	Old Item Number
Panel			
LTW13-AAPMFP-SC8001	Panel Mount. IEEE 1394A Type. PCB 180°. Circular Backshell.	270	New Product
Molded with Cable			
LTW13-AABFMM-SL7A 	Without SR. IEEE 1394A Type. Female Connector. Straight.	271	New Product
LTW13-AAAMFM-SL7A 	With SR. IEEE 1394A Type. Male Connector. Straight.	272	New Product
Field Installable			
LTW13-AABMFA-SL8001	Without SR. IEEE 1394A Type. Male Connector. Straight.	273	New Product

Screw Type IEEE 1394A Connector: Panel Mount (Male)

LTW13-AAPMFP-SC8001

New Product



Specifications

DESCRIPTION	DETAILS	CODE
1 Connector	IEEE 1394	13
2 1394 Type	1394A	AA
3 Connector Type	Panel Mount	P
4 Connector Gender	Male	M
5 Contact Gender	Female	F
6 Assembly Style	PCB 180°	P
7 Mating Style	Screw	S
8 Backshell	Circular	C
9 Waterproof Rating	IP68	8
10 Version		001

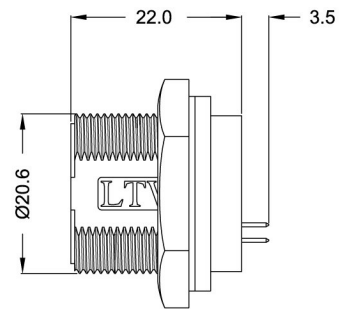
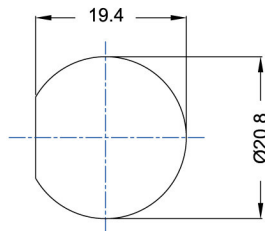
9, 10 Excluded in Old Part Number

SR= Strain Relief

Material

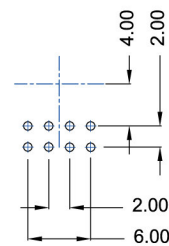
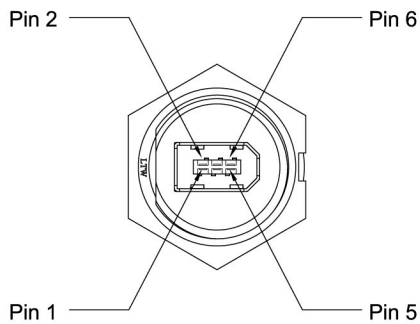
Connector Body : PBT
 Conductor : Copper Alloy Gold Plated
 Temperature Range : -20 °C to 80 °C

Recommended Panel Cut-Out



*Unmated Waterproof

Pin Configuration and PCB Layout



Mating Parts



LTW13-AABFMM-SL7A

See Item List

Accessory



See Item List

IEEE 1394

Screw Type IEEE 1394A Connector: Molded With Cable (Female)

LTW13-AABFMM-SL7A ¹¹

New Product



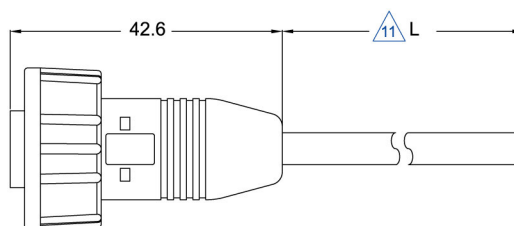
Material

Connector Body : PBT
 Conductor : Copper Alloy Gold Plated
 Temperature Range : -20 °C to 80 °C

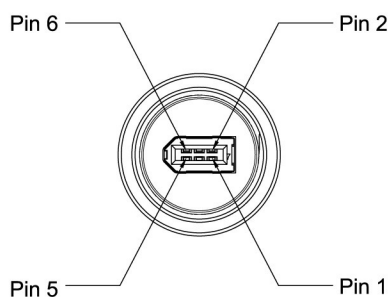
Specifications

DESCRIPTION	DETAILS	CODE
1 Connector	IEEE 1394	13
2 1394 Type	1394A	AA
3 Connector Type	Without SR	B
4 Connector Gender	Female	F
5 Contact Gender	Male	M
6 Assembly Style	Molded with Cable	M
7 Mating Style	Screw	S
8 Backshell	Straight	L
9 Waterproof Rating	IP67	7
10 Standard Cable	IEEE 1394A Cable	A
¹¹ Cable Length (L)	1 to 4 meters	01, ..., 04

SR= Strain Relief



Pin Configuration



LTW Standard Cable:

No. of Pins	Part no.	Type	Color	OD(mm)
	WCA00010037	PVC	Black	6.5

Note: Please see Cable Index for further details

Mating Parts



LTW13-AAPMFP-SC8001

See Item List



LTW13-AAAMFM-SL7A ¹¹

See Item List



LTW13-AABMFA-SL8001

See Item List

IEEE 1394

Screw Type IEEE 1394A Connector : Molded With Cable (Male)

LTW13-AAAMFM-SL7A¹¹

New Product



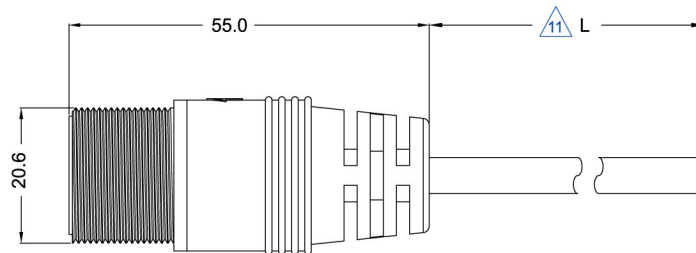
Specifications

DESCRIPTION	DETAILS	CODE
1 Connector	IEEE 1394	13
2 1394 Type	1394A	AA
3 Connector Type	With SR	A
4 Connector Gender	Male	M
5 Contact Gender	Female	F
6 Assembly Style	Molded with Cable	M
7 Mating Style	Screw	S
8 Backshell	Straight	L
9 Waterproof Rating	IP67	7
10 Standard Cable	IEEE 1394A Cable	A
¹¹ Cable Length (L)	1 to 4 meters	01, ..., 04

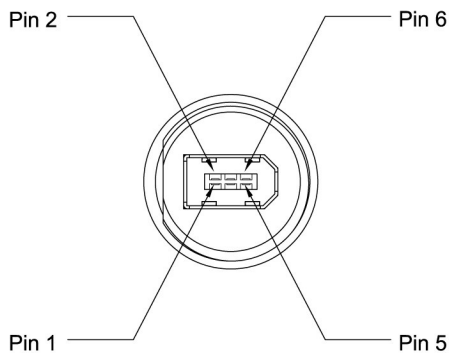
SR= Strain Relief

Material

Connector Body : PBT
 Conductor : Copper Alloy Gold Plated
 Temperature Range : -20 °C to 80 °C



Pin Configuration



LTW Standard Cable:

No. of Pins	Part no.	Type	Color	OD(mm)
	WCA00010037	PVC	Black	6.5

Note: Please see Cable Index for further details

Mating Parts



LTW13-AABFMM-SL7A¹¹

See Item List

Accessory



See Item List

IEEE 1394

Screw Type IEEE 1394A Connector: Field Installable (Male)

LTW13-AABMFA-SL8001

New Product



Specifications

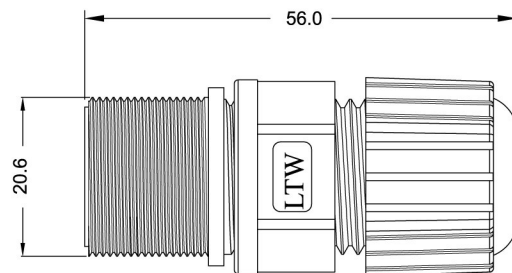
DESCRIPTION	DETAILS	CODE
1 Connector	IEEE 1394	13
2 1394 Type	1394A	AA
3 Connector Type	Without SR	B
4 Connector Gender	Male	M
5 Contact Gender	Female	F
6 Assembly Style	Field Installable	A
7 Mating Style	Screw	S
8 Backshell	Straight	L
9 Waterproof Rating	IP68	8
10 Version	Without Cable	001

9, 10 Excluded in Old Part Number

SR= Strain Relief

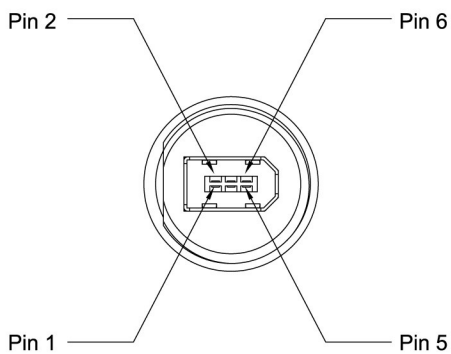
Material

Connector Body : PBT
 Conductor : Copper Alloy Gold Plated
 Temperature Range : -20 °C to 80 °C



Seals for Cable OD: Ø6.0mm~Ø10.8mm

Pin Configuration



Mating Parts



LTW13-AABFMM-SL7A

See Item List

Accessory



See Item List

IEEE 1394