



RoHS Compliant
ISO 9001
Certified

HIGH TEMP TERMINALS & TEST-JACKS



INSULATED AND NON-INSULATED



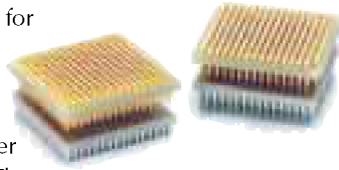
B.C.E. s.r.l.
Via Regina Pacis, 54/c - 41049 SASSUOLO (MO) Italy
Tel. +39 0536 811.616 r.a. - Fax +39 0536 811.500
www.bce.it - E-mail: bce@bce.it



HIGH TEMP-13A

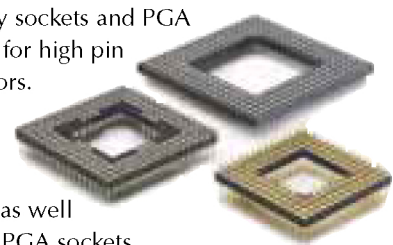
BGA Sockets and Adapters

Provide an ideal method for mounting ball grid array devices onto a PCB. The device is soldered to the adapter, simplifying solder verification and testing. The device/adapter assembly then plugs into the BGA socket which is permanently soldered to the PCB.



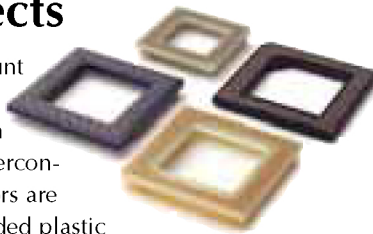
PGA Sockets and Adapters

Andon pin grid array sockets and PGA adapters are perfect for high pin count microprocessors. Andon offers the widest selection of standard footprints, from 5x5 to 26x26, as well as custom designed PGA sockets.



IPGA Sockets and Interconnects

Connect high pin count ICs with interstitial footprints with Andon IPGA sockets and interconnects. Socket insulators are made of FR-4 or molded plastic UL94V-O to withstand wave or convection soldering. Precision machined pins offer the lowest possible profile. The closed bottom design eliminates flux and solder contamination.



Jumpers, Pin Headers and Receptacles

Andon pin headers and receptacle headers provide ideal board-to-board interconnections. Andon pin headers are X/Y stackable, and are available in 2.54 mm, 2 mm and the exclusive 1 mm pitch, with single or dual row, straight or right angle terminals. Standard lengths are up to 50 pin positions (50 x 10 pin positions for 500 pin).



SMD Gull Wing and "J" Lead DIP Sockets

Andon surface mount gull wing and "J" lead DIP sockets are ideally suited for "pick and place." Our gull wing sockets provide maximum strength solder joints as well as easy in-circuit testing.



Board-to-Board Connectors

Stacking boards to any height spacing is made easy with Andon's large choice of terminal lengths, sockets and connectors to mix or match to obtain the required board-to-board spacing. Rugged and reliable, Andon offers a variety of multi-finger contacts to provide the right insertion and withdrawal forces.

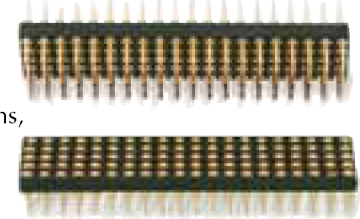


Table of Contents

Device to Socket Cross References

H10-XXX-XXX-P15	04	T20-1002-P33-1	15
H11-XXX-D01H-P15	05	T21-1001-P33-1	13
H15-XXX-XXX-G10	06	T21-1002-P33-1	13
H16-XX-T01H-P15	07	T21-1003-P33-1	13
H17-XX-T01H-P15	07	T21-1004-P33-1	13
H18-08-T03H-P15	07	T21-1005-P33-1	13
H19-XX-T03H-P15	07	T21-1006-P33-1	13
H20-12-T03H-P15	07	T21-1007-P33-1	13
H21-12-T01H-P15	07	T22-1001-P33-1	13
H22-XX-T03H-P15	07	T23-1001-P33-1	13
H23-XX-T03H-P15	07	T23-1002-P33-1	13
H24-XX-T01H-P15	07	T23-1003-P33-1	13
H25-XX-T02H-P15	08	T23-1004-P33-1	13
H26-XX-T02H-P15	08	T23-1005-P33-1	13
H27-12-T02H-P15	08	T23-1006-P33-1	13
H28-XX-T02H-P15	08	T23-1007-P33-1	13
J10-1001-P41-X	09	T23-1008-P33-1	13
J11-1001-P43-X	09	T23-1009-P33-1	13
J12-1001-P40-X	09	T23-1010-P33-1	13
J13-1001-P42-X	09	T24-1001-P33-1	14
J14-1001-P29-X	09	T24-1002-P33-1	14
N10-1001-T08	12	T24-1003-P33-1	14
N11-1001-T08	12	T25-1001-P33-1	14
T10-1001-P33-1	10	T25-1002-P33-1	14
T10-1002-P33-1	10	T25-1003-P33-1	14
T10-1003-P33-1	10	T25-1004-P33-1	14
T10-1004-P33-1	10	T26-1001-P33-1	14
T11-1001-P33-1	10	T26-1002-P33-1	14
T11-1002-P331	10	T26-1003-P33-1	14
T12-1001-P33-1	10	T26-1004-P33-1	14
T12-1002-P33-1	10	T27-1001-P33-1	14
T12-1003-P33-1	10	T27-1002-P33-1	14
T13-1001-P33-1	10	T27-1003-P33-1	14
T13-1002-P33-1	10	T28-1001-P33-1	14
T14-1001-P33-1	10	T29-1001-P33-1	15
T14-1002-P33-1	10	T30-1001-P33-1	15
T15-1001-P33-1	11	T31-1001-P33-1	15
T16-1001-P33-1	11	T31-1002-P33-1	15
T17-1001-P33-1	11	T32-1001-P33-1	15
T18-1001-P33-1	12	T33-1001-P33-1	16
T18-1002-P33-1	12	T34-1001-P33-1	16
T18-1003-P33-1	12	T35-1001-P33-1	16
T18-1004-P33-1	12	T36-1001-P33-1	11
T19-1001-P33-1	12	T36-1002-P33-1	11
T19-1002-P33-1	12	T36-1003-P33-1	11
T19-1003-P33-1	12	T36-1004-P33-1	11
T20-1001-P33-1	15	T37-1001-P33-1	11

Platings _____ 17

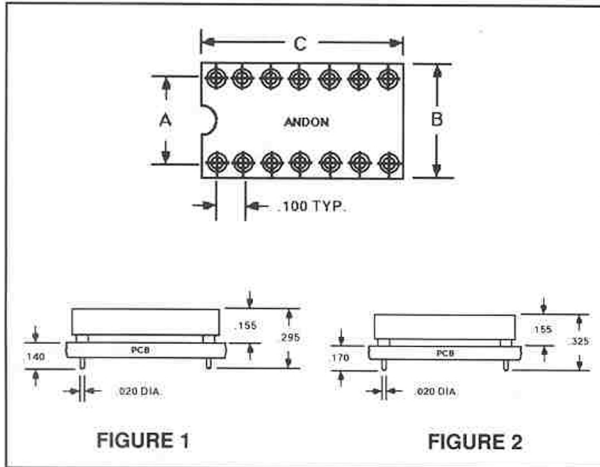
Material Specifications _____ 18

HI-TEMP SOCKETS

200°C CLOSED FRAME IC

SERIES H10

DIP SOCKETS w/o STANDOFFS



Andon's Hi-Temp 200°C DIP Sockets without standoffs are integrated and molded with insulation for optimum mechanical security. Features include: maximum insulation coverage to prevent shorting in high shock and vibration environments, a lead-in chamfer for easy device insertion, a closed bottom to prevent solder wicking into contact area, and rigid terminals for accurate installation on PCB.

Andon's Hi-Temp 200°C DIP Sockets are flame retardant, can handle temperatures that range up to 250°C and are made with high temperature Diallyl Phthalate per MIL-M-14G, Type SDG-F.

SPECIAL FEATURES AND BENEFITS:

- Dual-in-line sockets for low profile, high density packaging.
- Sockets accept packages with round or flat leads.
- Cut out on one end of socket for indexing orientation.
- Molded in rigid solder terminal will not bend when installing into PC Board.
- Terminal/contact assembly - integrated and molded with insulation for optimum mechanical security.
- Maximum insulation coverage to prevent shorting in high shock and vibration environments.
- Lead-in chamfer for easy device insertion.
- Closed bottom prevents solder wicking into contact area.
- High temperature Diallyl Phthalate per MIL-M-14G, Type SDG-F, flame retardant, temperature range up to 250°C.

SPECIFICATIONS

PLATING:	RESISTANCE:
P15:	3.5 milliohms max.
TERMINAL: GOLD 10μ	(MIL-STD-1344 Method 3004)
CONTACT: GOLD 30μ	CONTACT RATING: 1 Amp
INSULATION:	INSULATION RESISTANCE:
DIALLYL PHTHALATE:	5K megohms min.
PER MIL-M-14G, TYPE SDG-F	(MIL-STD-1344 Method 3003)
UL RATING: 94V-0	DIELECTRIC WITHSTANDING VOLTAGE AT 60 Hz
TERMINAL:	600V min. (MIL-STD-202 Method 301)
BRASS: PER QQ-B-626	INSERTION FORCE:
CONTACT:	9 oz. (avg.) with .018" diameter pin
BERYLLIUM COPPER:	WITHDRAWAL FORCE:
PER QQ-C-533	4 oz. (avg.) with .018" diameter pin
<i>* OTHER PLATINGS AND ALLOYS AVAILABLE INCLUDING BERYLLIUM NICKEL CONTACT</i>	OPERATING TEMPERATURE:
	200°C
	FLAMMABILITY: UL 94V-0

PART #	FIGURE #	# OF PINS	A	B	C
H10-306-D01H-P15	1	6	.300	.395	.295
H10-308-D01H-P15	1	8	.300	.395	.395
H10-310-D01H-P15	1	10	.300	.395	.495
H10-314-D01H-P15	1	14	.300	.395	.695
H10-316-D01H-P15	1	16	.300	.395	.795
H10-318-D01H-P15	1	18	.300	.395	.895
H10-320-D01H-P15	1	20	.300	.395	.995
H10-422-D01H-P15	1	22	.400	.495	1.095
H10-624-D01H-P15	1	24	.600	.695	1.195
H10-628-D01H-P15	1	28	.600	.695	1.395
H10-640-D01H-P15	1	40	.600	.695	1.995

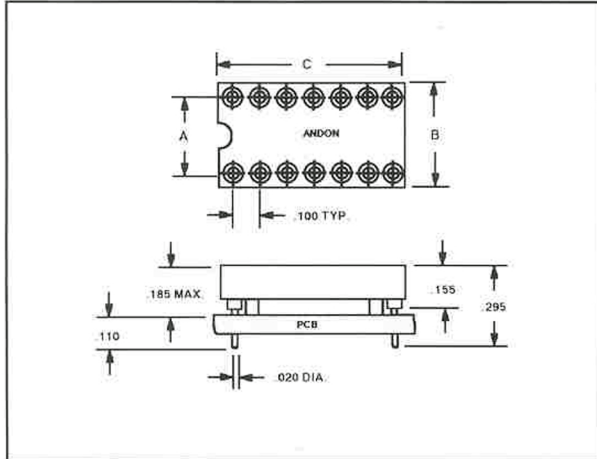
PART #	FIGURE #	# OF PINS	A	B	C
H10-306-D02H-P15	2	6	.300	.395	.295
H10-308-D02H-P15	2	8	.300	.395	.395
H10-310-D02H-P15	2	10	.300	.395	.495
H10-314-D02H-P15	2	14	.300	.395	.695
H10-316-D02H-P15	2	16	.300	.395	.795
H10-318-D02H-P15	2	18	.300	.395	.895
H10-320-D02H-P15	2	20	.300	.395	.995
H10-422-D02H-P15	2	22	.400	.495	1.095
H10-624-D02H-P15	2	24	.600	.695	1.195
H10-628-D02H-P15	2	28	.600	.695	1.395
H10-640-D02H-P15	2	40	.600	.695	1.995

HI-TEMP SOCKETS

200°C CLOSED FRAME IC

SERIES H11

DIP SOCKETS w/ STANDOFFS



Andon's Hi-Temp 200°C DIP Sockets are integrated and molded with insulation for optimum mechanical security. They are supplied with molded standoffs for maximum soldering visibility. Features include: maximum insulation coverage to prevent shorting in high shock and vibration environments, a lead-in chamfer for easy device insertion, a closed bottom to prevent solder wicking into contact area, and rigid terminals for accurate installation on PCB.

Andon's Hi-Temp 200°C DIP Sockets are flame retardant, can handle temperatures that range up to 250°C and are made with high temperature Diallyl Phthalate per MIL-M-14G, Type SDG-F.

SPECIAL FEATURES AND BENEFITS:

- Dual-in-line sockets for low profile, high density packaging.
- Sockets accept packages with round or flat leads.
- Cut out on one end of socket for indexing orientation.
- Molded in rigid solder terminal will not bend when installing onto PC Board.
- Terminal/contact assembly - integrated and molded with insulation for optimum mechanical security. Supplied with molded standoffs for soldering visibility.
- Maximum insulation coverage to prevent shorting in high shock and vibration environments.
- Lead-in chamfer for easy device insertion.
- Closed bottom prevents solder wicking into contact area.
- High temperature Diallyl Phthalate per MIL-M-14G, Type SDG-F, flame retardant, temperature range up to 250°C.

SPECIFICATIONS

PLATING: P15: TERMINAL: GOLD 10µ CONTACT: GOLD 30µ	RESISTANCE: 3.5 milliohms max. (MIL-STD-1344 Method 3004)
INSULATION: DIALLYL PHTHALATE: PER MIL-M-14G. TYPE SDG-F UL RATING: 94V-0	CONTACT RATING: 1 Amp
TERMINAL: BRASS: PER QQ-B-526	INSULATION RESISTANCE: 5K megohms min. (MIL-STD-1344 Method 3003)
CONTACT: BERYLLIUM COPPER: PER QQ-C-533	DIELECTRIC WITHSTANDING VOLTAGE AT 60 Hz: 600V min. (MIL-STD-202 Method 301)
<i>* OTHER PLATINGS AND ALLOYS AVAILABLE INCLUDING BERYLLIUM NICKEL CONTACT</i>	INSERTION FORCE: 9 oz. (avg.) with .018" diameter pin
	WITHDRAWAL FORCE: 4 oz. (avg.) with .018" diameter pin
	OPERATING TEMPERATURE: 200° C
	FLAMMABILITY: UL 94V-0

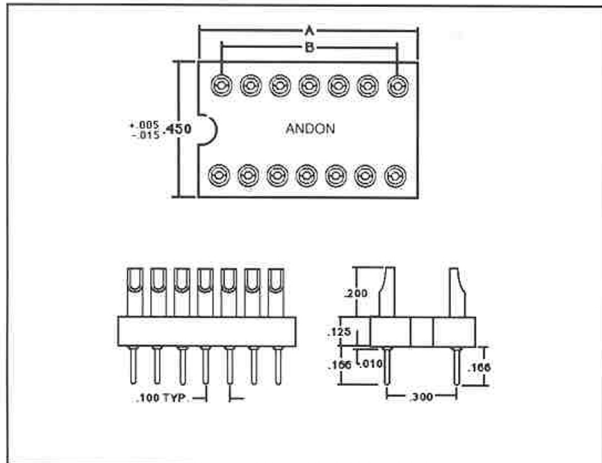
PART #	STAND-OFFS	# OF PINS	A	B	C
H11-306-D01H-P15	4	6	.300	.395	.295
H11-308-D01H-P15	4	8	.300	.395	.395
H11-310-D01H-P15	4	10	.300	.395	.495
H11-314-D01H-P15	4	14	.300	.395	.695
H11-316-D01H-P15	4	16	.300	.395	.795
H11-318-D01H-P15	4	18	.300	.395	.895
H11-320-D01H-P15	4	20	.300	.395	.995
H11-422-D01H-P15	4	22	.400	.495	1.095
H11-624-D01H-P15	4	24	.600	.695	1.195
H11-628-D01H-P15	4	28	.600	.695	1.395
H11-640-D01H-P15	4	40	.600	.695	1.995

HI-TEMP SOCKETS

200°C CLOSED FRAME IC

SERIES H15

COMPONENT ADAPTORS



Andon's Hi-Temp 200°C Closed Frame Component Adapter sockets are designed to adapt components of various configurations to the preset structure of your PC or wire-wrap circuit board. The adapter socket pins are integrated and molded with Diallyl Phthalate insulation to insure optimum mechanical security. Features include: maximum insulation coverage to prevent shorting in high shock and vibration environments, a lead-in chamfer for easy device insertion and rigid terminals for accurate installation.

Andon's Hi-Temp 200°C Component Adapter sockets are flame retardant, can handle temperatures that range up to 250°C and are made with high temperature Diallyl Phthalate per MIL-M-14G, Type SDG-F.

SPECIAL FEATURES AND BENEFITS:

- Dual-in-line component adapter sockets for low profile high density packaging.
- Cut out on one end of socket for indexing orientation.
- Maximum insulation coverage to prevent shorting in high shock and vibration environments.
- Lead-in chamfer for easy device insertion.
- High temperature Diallyl Phthalate per MIL-M-14G, Type SDG-F, flame retardant, temperature range up to 250°C.
- Choose from round, solder cup or bifurcated pin styles to suit your custom application.

SPECIFICATIONS

PLATING :
TERMINAL : G10 GOLD 10µ

INSULATION:
DIALLYL PHTHALATE:
PER MIL-M-14G, TYPE SDG-F
UL RATING: 94V-0

TERMINAL:
BRASS: PER QQ-B-626

INSULATION RESISTANCE:
5K megohms min.
(MIL-STD-1344 Method 3003)

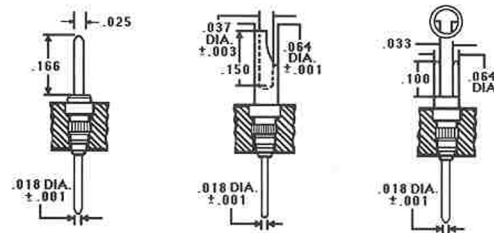
DIELECTRIC WITHSTANDING VOLTAGE AT 60 Hz
600V min. (MIL-STD-202 Method 301)

OPERATING TEMPERATURE:
200°C

FLAMMABILITY: UL 94V-0

* OTHER PLATINGS AVAILABLE

PART #	TYPE	# OF PINS	A DIM. + .005 - .010	B DIM. EQ. SP @ .100 Ea.
H15-314-A77-G10	Round Pin	14	.750	.600
H15-316-A77-G10	Round Pin	16	.850	.700
H15-314-A36-G10	Solder Cup	14	.750	.600
H15-316-A36-G10	Solder Cup	16	.850	.700
H15-314-A06-G10	Bifurcated Pin	14	.750	.600
H15-316-A06-G10	Bifurcated Pin	16	.850	.700



Round Pin
A77

Solder Cup
A36

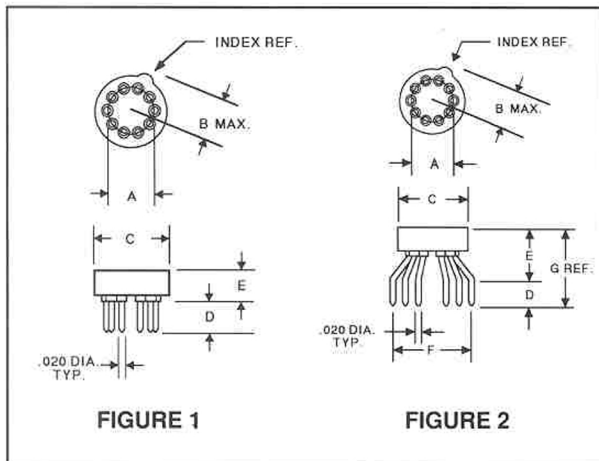
Bifurcated Pin
A06

HI-TEMP SOCKETS

200°C TRANSISTOR

SERIES H16, H17, H18, H19,
H20, H21, H22, H23, H24

SOCKETS w/o STANDOFFS



Andon's Hi-Temp 200°C Transistor Socket terminal/contact assemblies without standoffs are integrated and molded with insulation for optimum mechanical security. Features include: maximum insulation coverage to prevent shorting in high shock and vibration environments, a lead-in chamfer for easy device insertion, a closed bottom to prevent solder wicking into contact area, and rigid terminals for accurate installation on PCB.

Andon's Hi-Temp 200°C Transistor Sockets are flame retardant, can handle temperatures that range up to 250°C and are made with high temperature Diallyl Phthalate per MIL-M-14G, Type SDG-F.

SPECIAL FEATURES AND BENEFITS:

- Maximum insulation coverage to prevent shorting in high shock and vibration environments.
- A lead-in chamfer for easy device insertion.
- Closed bottom to prevent solder wicking into contact area.
- Rigid terminals for accurate installation on PCB.
- High Temperature Diallyl Phthalate per MIL-M-14G, Type SDG-F, flame retardant, temperature range up to 250°C.

SPECIFICATIONS

PLATING: P15: TERMINAL: GOLD 10µ CONTACT: GOLD 30µ	RESISTANCE: 3.5 milliohms max. (MIL-STD-1344 Method 3004)
INSULATION: DIALLYL PHTHALATE: PER MIL-M-14G. TYPE SDG-F UL RATING: 94V-0	CONTACT RATING: 1 Amp
TERMINAL: BRASS: PER QQ-B-626	INSULATION RESISTANCE: 5K megohms min. (MIL-STD-1344 Method 3003)
CONTACT: BERYLLIUM COPPER: PER QQ-C-533	DIELECTRIC WITHSTANDING VOLTAGE AT 60 Hz 600V min. (MIL-STD-202 Method 301)
* OTHER PLATINGS AND ALLOYS AVAILABLE INCLUDING BERYLLIUM NICKEL CONTACT	INSERTION FORCE: 9 oz. (avg.) with .018" diameter pin
	WITHDRAWAL FORCE: 4 oz. (avg.) with .018" diameter pin
	OPERATING TEMPERATURE: 200°C
	FLAMMABILITY: UL 94V-0

PART #	FIGURE #	# OF PINS	A	B	C	D	E
H16-03-T01H-P15	1	3	.200	.230	.370	.140	.160
H16-04-T01H-P15	1	4	.200	.230	.370	.140	.160
H16-06-T01H-P15	1	6	.200	.230	.370	.140	.160
H16-08-T01H-P15	1	8	.200	.230	.370	.140	.160
H17-08-T01H-P15	1	8	.230	.230	.370	.140	.160
H17-10-T01H-P15	1	10	.230	.230	.370	.140	.160
H21-12-T01H-P15	1	12	.275	.230	.370	.140	.160
H24-03-T01H-P15	1	3	.100	.160	.230	.140	.160
H24-04-T01H-P15	1	4	.100	.160	.230	.140	.160

PART #	FIGURE #	# OF PINS	A	B	C	D	E	F
H18-08-T03H-P15	2	8	.200	.230	.370	.130	.286	.400
H19-08-T03H-P15	2	8	.230	.230	.370	.130	.286	.400
H19-10-T03H-P15	2	10	.230	.230	.370	.130	.286	.400
H20-12-T03H-P15	2	12	.230	.230	.370	.130	.286	.400
H22-03-T03H-P15	2	3	.100	.160	.230	.172	.255	.150
H22-04-T03H-P15	2	4	.100	.160	.230	.172	.255	.150
H23-03-T03H-P15	2	3	.100	.160	.230	.172	.255	.200
H23-04-T03H-P15	2	4	.100	.160	.230	.172	.255	.200

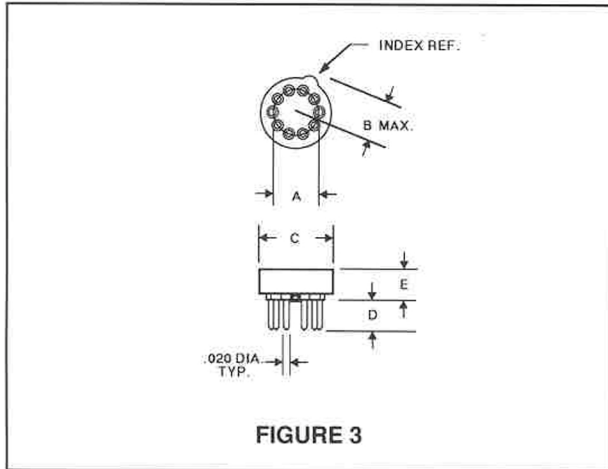
HI-TEMP SOCKETS

SERIES

H25, H26, H27, H28

200°C TRANSISTOR

SOCKETS w/ STANDOFFS



Andon's Hi-Temp 200°C Transistor Socket terminal/contact assemblies are integrated and molded with insulation for optimum mechanical security. They are supplied with molded standoffs for maximum soldering visibility. Features include: maximum insulation coverage to prevent shorting in high shock and vibration environments, a lead-in chamfer for easy device insertion, a closed bottom to prevent solder wicking into contact area, and rigid terminals for accurate installation on PCB.

Andon's Hi-Temp 200°C Transistor Sockets are flame retardant, can handle temperatures that range up to 250°C and are made with high temperature Diallyl Phthalate per MIL-M-14G, Type SDG-F.

SPECIAL FEATURES AND BENEFITS:

- Maximum insulation coverage to prevent shorting in high shock and vibration environments.
- A lead-in chamfer for easy device insertion.
- Closed bottom to prevent solder wicking into contact area.
- Rigid terminals for accurate installation on PCB.
- High Temperature Diallyl Phthalate per MIL-M-14G, Type SDG-F, flame retardant, temperature range up to 250°C.
- Molded standoffs for maximum soldering visibility.

SPECIFICATIONS

PLATING: P15: TERMINAL: GOLD 10µ CONTACT: GOLD 30µ	RESISTANCE: 3.5 milliohms max. (MIL-STD-1344 Method 3004)
INSULATION: DIALLYL PHTHALATE: PER MIL-M-14G, TYPE SDG-F UL RATING: 94V-0	CONTACT RATING: 1 Amp
TERMINAL: BRASS: PER QQ-B-626	INSULATION RESISTANCE: 5K megohms min. (MIL-STD-1344 Method 3003)
CONTACT: BERYLLIUM COPPER: PER QQ-C-533	DIELECTRIC WITHSTANDING VOLTAGE AT 60 Hz 600V min. (MIL-STD-202 Method 301)
* OTHER PLATINGS AND ALLOYS AVAILABLE INCLUDING BERYLLIUM NICKEL CONTACT	INSERTION FORCE: 9 oz. (avg.) with .018" diameter pin
	WITHDRAWAL FORCE: 4 oz. (avg.) with .018" diameter pin
	OPERATING TEMPERATURE: 200°C
	FLAMMABILITY: UL 94V-0

PART #	FIGURE #	# OF PINS	A	B	C	D	E
H25-03-T02H-P15	3	3	.200	.230	.370	.140	.185
H25-04-T02H-P15	3	4	.200	.230	.370	.140	.185
H25-06-T02H-P15	3	6	.200	.230	.370	.140	.185
H25-08-T02H-P15	3	8	.200	.230	.370	.140	.185
H26-08-T02H-P15	3	8	.230	.230	.370	.140	.185
H26-10-T02H-P15	3	10	.230	.230	.370	.140	.185
H27-12-T02H-P15	3	12	.275	.230	.370	.140	.185
H28-03-T02H-P15	3	3	.100	.160	.230	.140	.185
H28-04-T02H-P15	3	4	.100	.160	.230	.140	.185

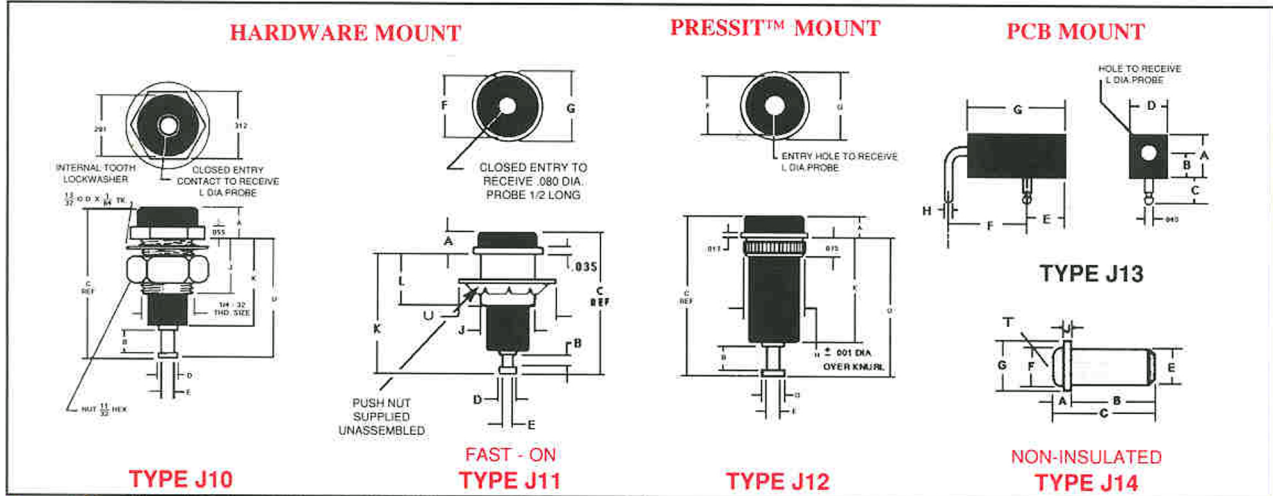
TEST JACKS

SERIES

J10, J11, J12, J13, J14

NON-INSULATED & INSULATED

CLOSED ENTRY JACKS



Type J10 - Closed Entry .040 and .080 Military and Commercial

PART #	FLASH OVER VOLT	A	B	C	D	E	F	G	H	J	K	L	U	MTG. HOLE DIA.
J10-1001-P41-X	5000	.250	.130	.953	.100	.070	.281	.312	.250-32	.250	.529	.080	.703	.257

Type J11 - Closed Entry .080 Test Probe

PART #	FLASH OVER VOLT	A	B	C	D	E	F	G	J	K	L	U	MTG. HOLE DIA.
J11-1001-P43-X	3000	.118	.105	.688	.093	.060	.281	.312	.250	.563	.312	.531	.265

Type J12 - Pressit™ Closed Entry .080 Military and Commercial

PART #	FLASH OVER VOLT	A	B	C	D	E	F	G	H	J	K	L	U	MTG. HOLE DIA.
J12-1001-P40-X	3000	.093	.105	.667	.093	.060	.250	.281	.254	.075	.434	.080	.574	.250

Type J13 - Closed Entry .080 Military and Commercial

PART #	FLASH OVER VOLT	A	B	C	D	E	F	G	H	L	MTG. HOLE DIA.
J13-1001-P42-X	-	.230	.130	.130	.190	.200	.400	.531	.040	.080	.045

Type J14 - Closed Entry Non-Insulated

PART #	A	B	C	E	F	G	J	MTG. HOLE DIA.	TEST PROBE
J14-1001-P29-X	.036	.200	.236	.085	.092	.125	.020	.089	.040 THRU HOLE

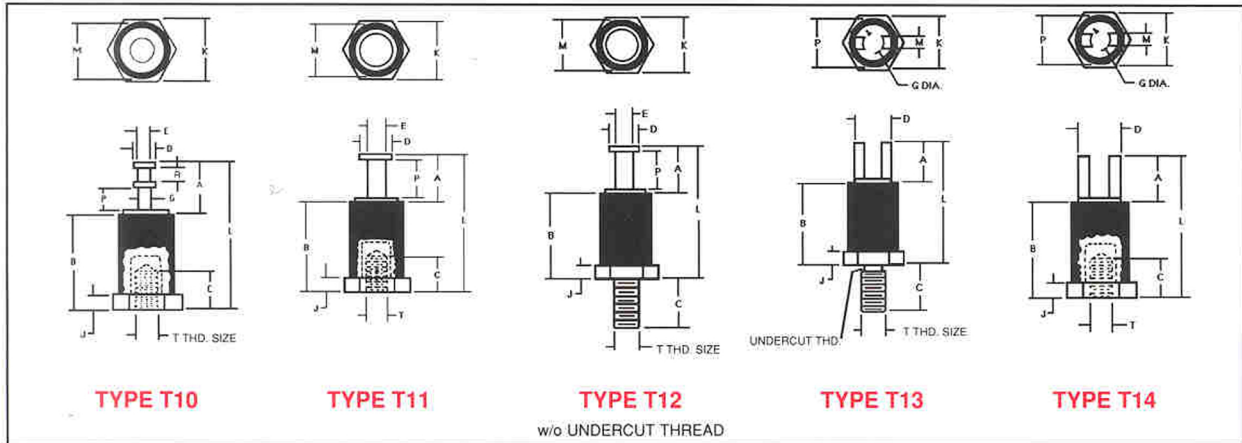
MATERIAL SPECIFICATIONS: Terminal: Brass, 1/2 hard, QQ-B-626; Contact: Beryllium Copper, QQ-C-533; Mounting: Brass, 1/2 hard, QQ-B-626; Insulator: Diallyl Phthalate, MIL-M-14G Type SDG-F
STANDARD PLATINGS: P41 Tin/Gold or P42 Gold/Gold; P43 Tin/Gold or contact factory; P40 Tin/Gold or P44 Gold/Gold; P45 Tin/Gold or P46 Gold/Gold; P29 Tin-Lead/Gold or P27 Gold/Gold
 For alternate platings and specifications, see page 64

TERMINALS

SERIES
T10, T11, T12, T13, T14

INSULATED STANDOFFS

THREADED



Type T10 - Double Turret Standoff – Threaded Base

PART #	FLASH OVER VOLT	A	B	C	D	E	G	J	K	L	M	P	R	T
T10-1001-P33-1	10000	.344	.531	.219	.140	.062	.078	.062	.250	.875	.232	.158	.097	4 - 40
T10-1002-P33-1	6000	.156	.234	.078	.072	.050	.050	.046	.156	.391	.146	.055	.046	2 - 56
T10-1003-P33-1	8000	.344	.375	.156	.140	.062	.078	.062	.250	.719	.232	.158	.097	4 - 40
T10-1004-P33-1	8200	.156	.390	.078	.072	.050	.050	.046	.156	.547	.146	.055	.046	2 - 56

Type T11 - Single Turret Standoff – Threaded Base

PART #	FLASH OVER VOLT	A	B	C	D	E	J	K	L	M	P	T
T11-1001-P33-1	8000	.219	.375	.156	.140	.078	.062	.250	.594	.232	.168	4 - 40
T11-1002-P33-1	8000	.219	.375	.156	.140	.078	.062	.250	.594	.232	.168	6 - 32

Type T12 - Single Turret Standoff – Threaded Base

PART #	FLASH OVER VOLT	A	B	C	D	E	J	K	L	M	P	T
T12-1001-P33-1	8000	.219	.375	.219	.140	.078	.062	.250	.594	.232	.168	4 - 40
T12-1002-P33-1	3000	.156	.172	.125	.072	.050	.046	.156	.328	.146	.121	2 - 56
T12-1003-P33-1	8000	.219	.375	.219	.140	.078	.062	.250	.594	.232	.168	4 - 40

Type T13 - Bifurcated Standoff – Threaded Base (w/undercut)

PART #	FLASH OVER VOLT	A	B	C	D	G	J	K	L	M	P ₁	T
T13-1001-P33-1	8000	.250	.375	.219	.188	.100	.062	.250	.625	.058	.232	4 - 40
T13-1002-P33-1	8000	.250	.375	.219	.188	.100	.062	.250	.625	.058	.232	6 - 32

Type T14 - Bifurcated Standoff – Threaded Base

PART #	FLASH OVER VOLT	A	B	C	D	G	J	K	L	M	P	T
T14-1001-P33-1	8000	.250	.375	.156	.188	.100	.062	.250	.625	.058	.232	4 - 40
T14-1002-P33-1	12000	.250	.594	.219	.188	.100	.062	.250	.844	.058	.232	4 - 40

MATERIAL SPECIFICATIONS: Terminal: Brass, 1/2 hard, QQ-B-626; Base/Eyelet: Brass, 1/2 hard, QQ-B-626; Insulator: Dialyl Phthalate, MIL-M-14G Type SDG-F
STANDARD PLATINGS: P33 Tin/Cadmium or P34 Tin/Nickel; P35 Gold/Cadmium or P36 Gold/Nickel
 For alternate platings and specifications, see page 64

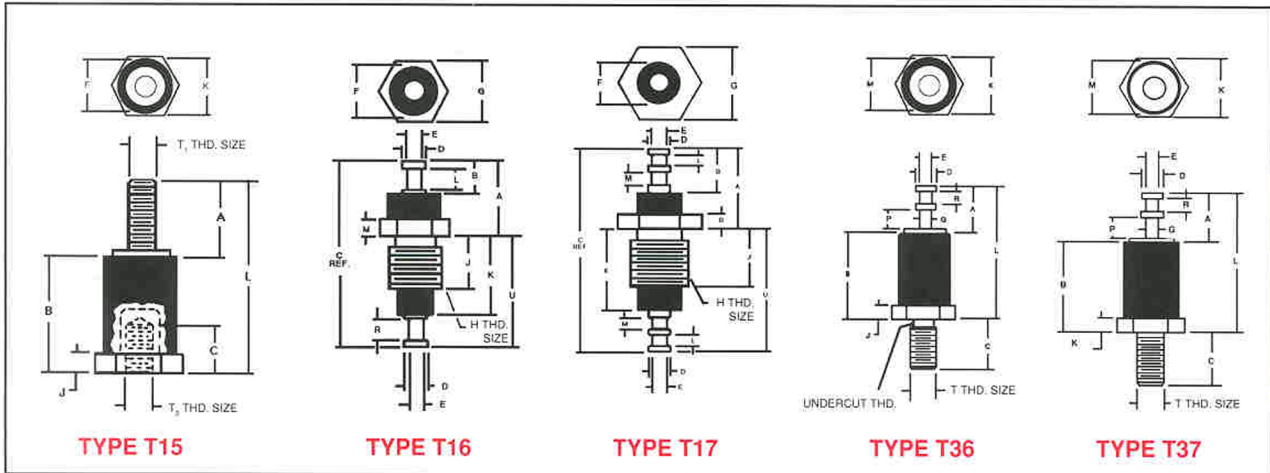
TERMINALS

SERIES

T15, T16, T17, T36, T37

INSULATED STANDOFFS &

FEED-THRUS – THREADED



Type T15 - Threaded Lug & Standoff – Threaded Base

PART #	FLASH OVER VOLT	A	B	C	F	J	K	L	T1	T2
T15-1001-P33-1	12000	.250	.594	.219	.232	.062	.250	.844	6-32	6-32

Type T16 - Single Turret Feed-Thru – Threaded Base (hardware may be ordered separately)

PART #	FLASH OVER VOLT	A	B	C	D	E	F	G	H	J	K	L	M	R	U
T16-1001-P33-1	2500	.272	.169	.669	.080	.050	.187	.219	10-32	.187	.280	.077	.063	.077	.397

Type T17 - Double Turret Feed-Thru – Threaded Base (hardware may be ordered separately)

PART #	FLASH OVER VOLT	A	B	C	D	E	F	G	H	J	K	L	M	R	U
T17-1001-P33-1	3500	.344	.187	.875	.092	.062	.187	.312	1/4-28	.250	.343	.046	.050	.062	.531

Type T36 - Double Turret Standoff – Threaded Base (with undercut)

PART #	FLASH OVER VOLT	A	B	C	D	E	G	J	K	L	M	P	R	T
T36-1001-P33-1	7000	.219	.266	.188	.094	.049	.049	.062	.250	.484	.232	.094	.062	4 - 40
T36-1002-P33-1	7000	.219	.266	.188	.094	.049	.049	.062	.250	.484	.232	.094	.062	4 - 40
T36-1003-P33-1	6000	.156	.234	.188	.072	.050	.050	.046	.156	.391	.146	.054	.047	2 - 56
T36-1004-P33-1	6000	.156	.234	.250	.072	.050	.050	.046	.156	.391	.146	.054	.047	2 - 56

Type T37 - Double Turret Standoff – Threaded Base

PART #	FLASH OVER VOLT	A	B	C	D	E	G	J	K	L	M	P	R	T
T37-1001-P33-1	8000	.344	.375	.219	.140	.062	.078	.062	.250	.719	.232	.158	.097	6 - 32

MATERIAL SPECIFICATIONS: Terminal: Brass, 1/2 hard, QQ-B-626; Base/Eyelet: Brass, 1/2 hard, QQ-B-626; Insulator: Diallyl Phthalate, MIL-M-14G Type SDG-F
STANDARD PLATINGS: P33 Tin/Cadmium or P34 Tin/Nickel; P35 Gold/Cadmium or P36 Gold/Nickel
 For alternate platings and specifications, see page 64

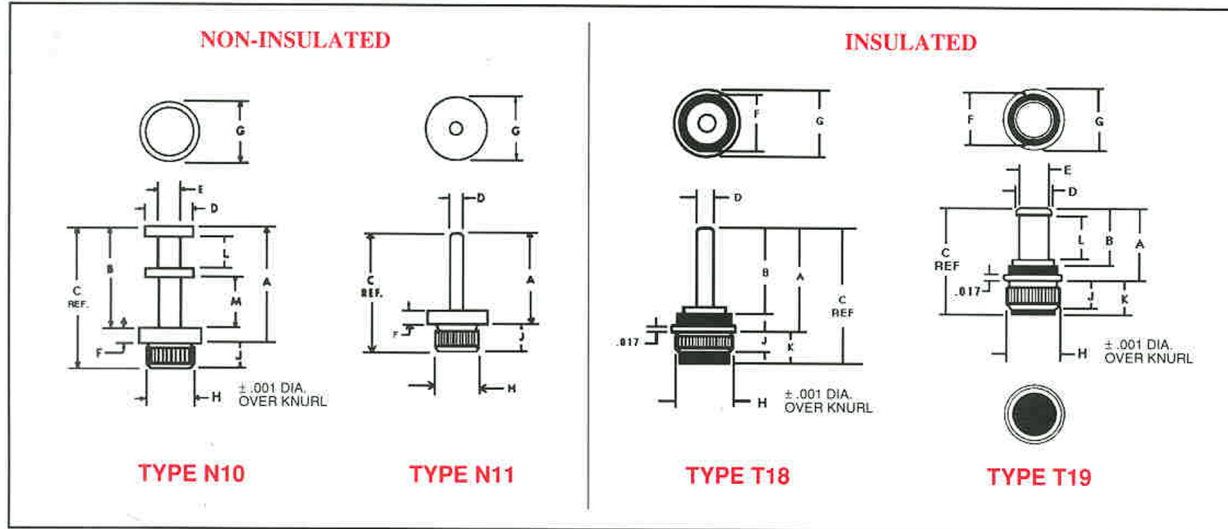
TERMINALS

SERIES

N10, N11, T18, T19

PRESSIT™ NON-INSULATED &

INSULATED STANDOFFS



Type N10- Double Turret Standoff – Non-Insulated

PART #	A	B	C	D	E	F	G	H	J	L	M	MTG. HOLE DIA.
N10-1001-T08	.359	.309	.434	.145	.065	.047	.187	.140	.075	.093	.156	.136

Type N11- Straight Pin Standoff – Non-Insulated

PART #	A	C	D	F	G	H	J	MTG. HOLE DIA.
N11-1001-T08	.206	.281	.050	.047	.100	.090	.075	.086

Type T18- Pressit™ Straight Pin Standoff

PART #	FLASH OVER VOLT	A	B	C	D	F	G	H	J	K	MTG. HOLE DIA.
T18-1001-P33-1	1500	.250	.205	.310	.043	.130	.155	.140	.045	.060	.136
T18-1002-P33-1	750	.145	.090	.235	.030	.080	.098	.090	.060	.090	.086
T18-1003-P33-1	1500	.225	.180	.285	.043	.130	.155	.140	.045	.060	.136
T18-1004-P33-1	1500	.250	.205	.325	.043	.130	.155	.140	.060	.075	.136

Type T19- Pressit™ Single Turret Standoff

PART #	FLASH OVER VOLT	A	B	C	D	E	F	G	H	J	K	L	MTG. HOLE DIA.
T19-1001-P33-1	1500	.193	.147	.253	.093	.080	.130	.155	.140	.045	.060	.113	.136
T19-1002-P33-1	2500	.255	.140	.345	.072	.055	.130	.180	.164	.060	.090	.105	.161
T19-1003-P33-1	1000	.135	.090	.195	.090	.060	.130	.156	.140	.045	.060	.075	.136

MATERIAL SPECIFICATIONS: Terminal: Brass, 1/2 hard, QQ-B-626; Base/Eyelet: Brass, 1/2 hard, QQ-B-626; Insulator: Dialyl Phthalate, MIL-M-14G Type SDG-F

STANDARD PLATINGS: P33 Tin/Cadmium or P34 Tin/Nickel; P35 Gold/Cadmium or P36 Gold/Nickel; T08 Tin-Lead or G10 - Gold

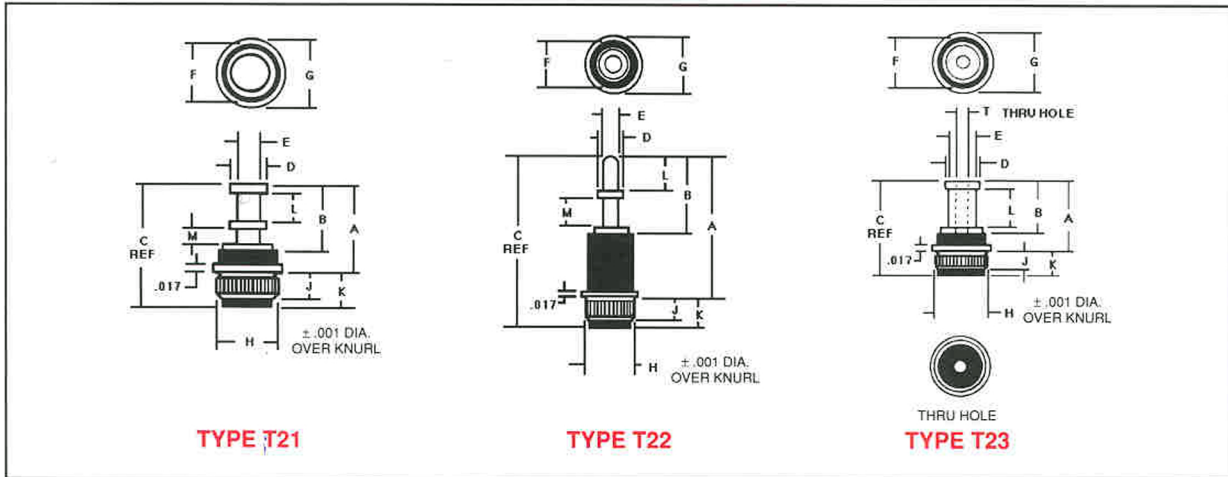
For alternate platings and specifications, see page 64

TERMINALS

SERIES
T21, T22, T23

PRESSIT™ INSULATED

STANDOFFS



Type T21 - Pressit™ Double Turret Standoff

PART #	FLASH OVER VOLT	A	B	C	D	E	F	G	H	J	K	L	M	MTG. HOLE DIA.
T21-1001-P33-1	1300	.195	.150	.255	.083	.060	.130	.155	.140	.045	.060	.065	.040	.136
T21-1002-P33-1	1300	.151	.105	.211	.070	.045	.130	.155	.140	.045	.060	.040	.020	.136
T21-1003-P33-1	1300	.195	.150	.270	.083	.050	.130	.155	.140	.060	.075	.065	.040	.136
T21-1004-P33-1	1500	.250	.205	.325	.080	.040	.130	.155	.140	.060	.075	.065	.065	.136
T21-1005-P33-1	2000	.457	.250	.562	.093	.050	.157	.187	.160	.075	.105	.093	.097	.156
T21-1006-P33-1	1500	.315	.250	.360	.125	.100	.170	.196	.188	.045	.045	.105	.100	.182
T21-1007-P33-1	1300	.195	.150	.300	.083	.050	.130	.155	.140	.075	.105	.065	.040	.136

Type T22 - Pressit™ Double Turret Standoff

PART #	FLASH OVER VOLT	A	B	C	D	E	F	G	H	J	K	L	M	MTG. HOLE DIA.
T22-1001-P33-1	2000	.457	.250	.562	.093	.050	.157	.187	.160	.075	.105	.113	.097	.156

Type T23 - Pressit™ Single Turret Standoff - Thru Hole

PART #	FLASH OVER VOLT	A	B	C	D	E	F	G	H	J	K	L	T	MTG. HOLE DIA.
T23-1001-P33-1	1500	.171	.126	.231	.093	.060	.130	.156	.140	.045	.060	.091	.030	.136
T23-1002-P33-1	1500	.225	.125	.345	.075	.060	.156	.187	.160	.075	.120	.105	.030	.156
T23-1003-P33-1	1500	.125	.080	.200	.092	.075	.130	.156	.140	.060	.075	.048	.025	.136
T23-1004-P33-1	1300	.120	.077	.180	.083	.060	.130	.156	.140	.045	.060	.060	.031	.136
T23-1005-P33-1	750	.160	.105	.235	.052	.040	.080	.098	.090	.060	.075	.075	.023	.088
T23-1006-P33-1	1300	.170	.125	.217	.093	.060	.130	.156	.140	.045	.050	.108	.023	.136
T23-1007-P33-1	1500	.150	.105	.225	.093	.045	.130	.156	.140	.060	.075	.073	.021	.136
T23-1008-P33-1	1300	.080	.035	.130	.093	.060	.130	.156	.140	.045	.050	.020	.023	.136
T23-1009-P33-1	1500	.171	.126	.230	.088	.060	.130	.156	.140	.045	.060	.091	.030	.136
T23-1010-P33-1	1500	.150	.105	.210	.070	.045	.130	.155	.140	.045	.060	.073	.026	.136

MATERIAL SPECIFICATIONS: Terminal: Brass, 1/2 hard, QQ-B-626; Base/Eyelet: Brass, 1/2 hard, QQ-B-626; Insulator: Diallyl Phthalate, MIL-M-14G Type SDG-F

STANDARD PLATINGS: P33 Tin/Cadmium or P34 Tin/Nickel; P35 Gold/Cadmium or P36 Gold/Nickel

For alternate platings and specifications, see page 64

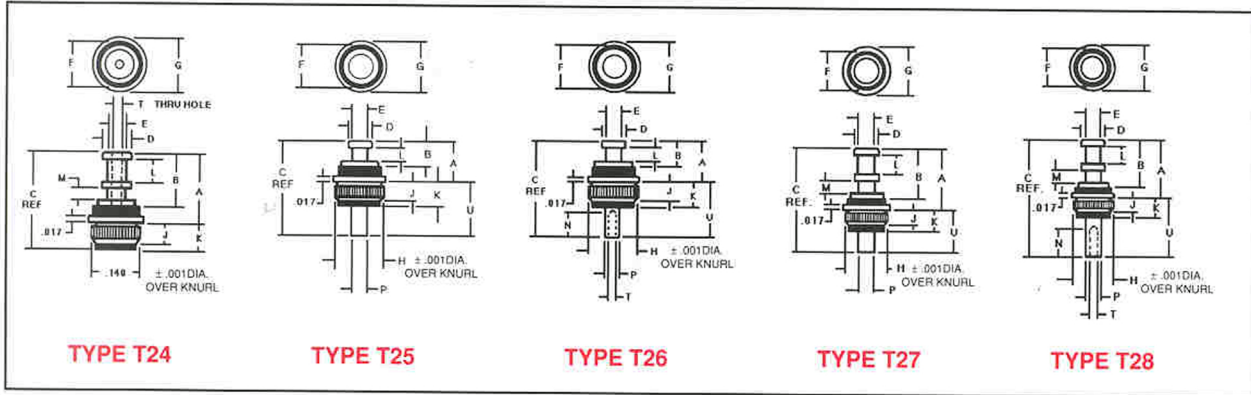
TERMINALS

SERIES

T24, T25, T26, T27, T28

PRESSIT™ INSULATED

STANDOFFS & FEED-THRUS



Type T24 - Pressit™ Double Turret Standoff – Thru Hole

PART #	FLASH OVER VOLT	A	B	C	D	E	F	G	H	J	K	L	M	T	MTG. HOLE DIA.
T24-1001-P33-1	1300	.151	.105	.211	.070	.049	.130	.155	.140	.045	.060	.040	.020	.025	.136
T24-1002-P33-1	1300	.195	.150	.255	.083	.050	.130	.155	.140	.045	.060	.065	.040	.025	.136
T24-1003-P33-1	1300	.151	.105	.211	.070	.049	.130	.155	.140	.045	.060	.040	.020	.035	.136

Type T25 - Pressit™ Single Turret Feed-Thru

PART #	FLASH OVER VOLT	A	B	C	D	E	F	G	H	J	K	L	P	U	MTG. HOLE DIA.
T25-1001-P33-1	1300	.150	.105	.225	.070	.045	.130	.155	.140	.045	.060	.075	.040	.075	.136
T25-1002-P33-1	1300	.150	.090	.350	.072	.045	.130	.155	.140	.060	.075	.070	.040	.200	.136
T25-1003-P33-1	1300	.150	.105	.250	.070	.045	.130	.155	.140	.045	.060	.075	.040	.100	.136
T25-1004-P33-1	1300	.150	.090	.250	.072	.045	.130	.155	.140	.060	.075	.070	.040	.100	.136

Type T26 - Pressit™ Single Turret Feed-Thru/Crimp Hole

PART #	FLASH OVER VOLT	A	B	C	D	E	F	G	H	J	K	L	N	P	T	U	MTG. HOLE DIA.
T26-1001-P33-1	1300	.153	.105	.278	.070	.045	.130	.155	.140	.045	.060	.075	.125	.040	.025	.125	.136
T26-1002-P33-1	1300	.117	.057	.317	.070	.045	.130	.155	.140	.060	.075	.042	.125	.040	.022	.200	.136
T26-1003-P33-1	1300	.150	.090	.350	.070	.045	.130	.155	.140	.060	.075	.070	.093	.040	.025	.200	.136
T26-1004-P33-1	1300	.170	.125	.926	.093	.060	.130	.155	.140	.045	.060	.108	.150	.065	.038	.750	.136

Type T27 - Pressit™ Double Turret Feed-Thru

PART #	FLASH OVER VOLT	A	B	C	D	E	F	G	H	J	K	L	M	P	U	MTG. HOLE DIA.
T27-1001-P33-1	1500	.210	.165	.410	.092	.055	.130	.156	.140	.075	.105	.076	.040	.085	.200	.136
T27-1002-P33-1	1500	.210	.155	.585	.092	.055	.130	.156	.140	.075	.105	.076	.040	.055	.375	.136
T27-1003-P33-1	1500	.245	.165	.620	.092	.055	.156	.187	.160	.075	.120	.055	.055	.047	.375	.156

Type T28 - Pressit™ Double Turret Feed-Thru/Crimp Hole

PART #	FLASH OVER VOLT	A	B	C	D	E	F	G	H	J	K	L	M	N	P	T	U	MTG. HOLE DIA.
T28-1001-P33-1	1500	.210	.165	.585	.092	.055	.130	.155	.140	.075	.105	.076	.040	.156	.055	.034	.375	.136

MATERIAL SPECIFICATIONS: Terminal: Brass, 1/2 hard, QQ-B-626; Base/Eyelet: Brass, 1/2 hard, QQ-B-626; Insulator: Diallyl Phthalate, MIL-M-14G Type SDG-F

STANDARD PLATINGS: P33 Tin/Cadmium or P34 Tin/Nickel; P35 Gold/Cadmium or P36 Gold/Nickel

For alternate platings and specifications, see page 64

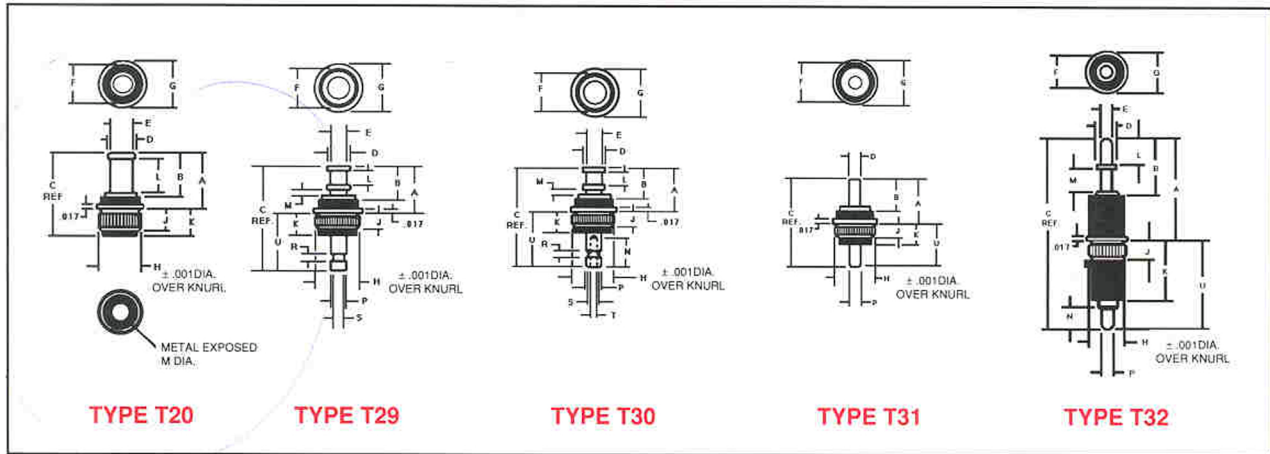
TERMINALS

SERIES

T20, T29, T30, T31, T32

PRESSIT™ INSULATED

FEED-THRU



Type T20 - Pressit™ Single Turret Feed-Thru

PART #	FLASH OVER VOLT	A	B	C	D	E	F	G	H	J	K	L	M	MTG. HOLE DIA.
T20-1001-P33-1	1500	.150	.105	.210	.070	.045	.130	.155	.140	.045	.060	.073	.060	.136
T20-1002-P33-1	750	.117	.105	.250	.052	.040	.080	.098	.090	.060	.070	.075	.035	.086

Type T29 - Pressit™ Double Turret Feed-Thru

PART #	FLASH OVER VOLT	A	B	C	D	E	F	G	H	J	K	L	M	P	R	S	U	MTG. HOLE DIA.
T29-1001-P33-1	1300	.195	.150	.380	.083	.050	.130	.155	.140	.045	.060	.065	.040	.050	.025	.040	.185	.136

Type T30 - Pressit™ Double Turret Feed-Thru/Crimp Hole

PART #	FLASH OVER VOLT	A	B	C	D	E	F	G	H	J	K	L	M	N	P	R	S	T	U	MTG. HOLE DIA.
T30-1001-P33-1	1300	.195	.150	.380	.083	.050	.130	.155	.140	.045	.060	.065	.040	.100	.050	.025	.040	.029	.185	.136

Type T31 - Pressit™ Straight Pin Feed-Thru

PART #	FLASH OVER VOLT	A	B	C	D	F	G	H	J	K	P	U	MTG. HOLE DIA.
T31-1001-P33-1	1500	.250	.205	.515	.040	.130	.156	.140	.075	.105	.040	.265	.136
T31-1002-P33-1	1500	.250	.205	.439	.040	.130	.155	.140	.075	.105	.040	.185	.136

Type T32 - Pressit™ Double Turret Feed-Thru

PART #	FLASH OVER VOLT	A	B	C	D	E	F	G	H	J	K	L	M	P	U	MTG. HOLE DIA.
T32-1001-P33-1	2000	.457	.250	.876	.093	.050	.157	.187	.160	.075	.262	.113	.097	.040	.419	.156

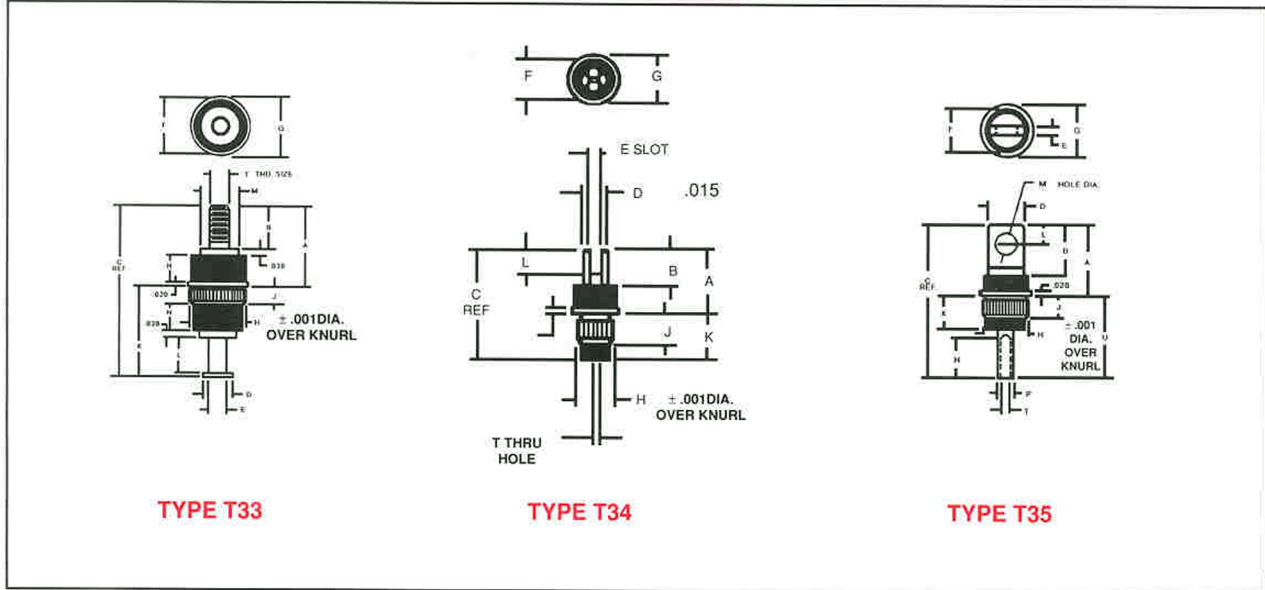
MATERIAL SPECIFICATIONS: Terminal: Brass, 1/2 hard, QQ-B-626; Base/Eyelet: Brass, 1/2 hard, QQ-B-626; Insulator: Diallyl Phthalate, MIL-M-14G Type SDG-F
STANDARD PLATINGS: P33 Tin/Cadmium or P34 Tin/Nickel; P35 Gold/Cadmium or P36 Gold/Nickel
 For alternate platings and specifications, see page 64

TERMINALS

PRESSIT™ INSULATED

SERIES
T33, T34, T35

FEED-THRU



TYPE T33

TYPE T34

TYPE T35

Type T33 - Pressit™ Threaded Lug Feed-Thru

PART #	FLASH OVER VOLT	A	B	C	D	E	F	G	H	J	K	L	M	N	T	MTG. HOLE DIA.
T33-1001-P33-1	3000	.362	.187	.768	.140	.078	.250	.281	.254	.075	.406	.156	.170	.125	4-40	.250

Type T34 - Pressit™ Bifurcated Feed-Thru

PART #	FLASH OVER VOLT	A	B	C	D	E	F	G	H	J	K	L	T	MTG. HOLE DIA.
T34-1001-P33-1	750	.145	.090	.220	.055	.025	.080	.098	.090	.060	.070	.055	.018	.086

Type T35 - Pressit™ Pierced-Hole Feed-Thru/Crimp Hole

PART #	FLASH OVER VOLT	A	B	C	D	E	F	G	H	J	K	L	M	N	P	T	U	MTG. HOLE DIA.
T35-1001-P33-1	1500	.260	.182	.585	.130	.131	.158	.187	.160	.075	.121	.070	.078	.150	.058	.037	.305	.156

MATERIAL SPECIFICATIONS: Terminal: Brass, 1/2 hard, QQ-B-626; Base/Eyelet: Brass, 1/2 hard, QQ-B-626; Insulator: Diallyl Phthalate, MIL-M-14G Type SDG-F
STANDARD PLATINGS: P33 Tin/Cadmium or P34 Tin/Nickel; P35 Gold/Cadmium or P36 Gold/Nickel
 For alternate platings and specifications, see page 64

PLATINGS

STANDARD DIP SOCKET PLATINGS

- P29: Standard Tin Terminal, Gold Contact
Terminal: Tin .0002" over .000030" Nickel over Copper Flash
Contact: Gold .000010" (Type II) over .000030" Nickel
- P15: Standard Gold Terminal, Gold Contact
Terminal: Gold .000010" (Type II) over .000030" Nickel
Contact: Gold .000030" over .000030" Nickel
- P32: Standard Tin Terminal, Tin Contact
Terminal: Tin .0002" Tin/Lead over .000030" Nickel over Copper Flash
Contact: Tin .0002" Tin/Lead over .000030" Nickel over Copper Flash

OTHER STANDARD PLATINGS WHICH ARE AVAILABLE:

- P17: Tin Terminal, Gold Contact
Terminal: Tin .0002" over .000030" Nickel over Copper Flash
Contact: Gold .000030" over .000030" Nickel
- P13: Gold Terminal, Gold Contact
Terminal: Gold .000020" over .000030" Nickel
Contact: Gold .000030" over .000030" Nickel
- P47: Gold Terminal, Gold Contact per Mil-S-83505
Terminal: Gold .000020" (Type I) over .000030" Nickel
Contact: Gold .000030" (Type I) over .000030" Nickel
- P48: Tin Terminal, Gold Contact per Mil-S-83505; Soldertail
Terminal: Tin/Lead 60%-40%, .000180" over .000030" Nickel
Contact: Gold .000030" (Type I) over .000030" Nickel
- P49: Tin Terminal, Gold Contact per Mil-S-83505; Wire Wrap
Terminal: Tin/Lead 95%-5%, .000180" over .000030" Nickel
Contact: Gold .000030" (Type I) over .000030" Nickel
- P50: Tin Terminal, Tin Contact per Mil-S-83505; Soldertail
Terminal: Tin/Lead 60%-40%, .000180" over .000030" Nickel
Contact: Tin/Lead 95%-5%, .000180" over .000030" Nickel
- P51: Tin Terminal, Tin Contact, per Mil-S-83505; Wire Wrap
Terminal: Tin/Lead 95%-5%, .000180" over .000030" Nickel
Contact: Tin/Lead 95%-5%, .000180" over .000030" Nickel

Additional application specific platings can be provided upon request.

- P29: Terminal: Tin/Lead .0002" over Nickel .000030"
Contact: Gold .00010" (Type II) over Nickel .000030"
- P33: Terminal: Tin .0002" over Nickel .000030"
Base: Cadmium Chromate .0002"
- P34: Terminal: Tin .0002" over Nickel .000030"
Base: Nickel .000030" - .000060"
- P35: Terminal: Gold .000010" over Nickel .000030"
Base: Cadmium Chromate .0002"
- P36: Terminal: Gold .000010" over Nickel .000030"
Contact: Nickel .000030" - .000060"
- P40: Terminal: Tin .0002" over Nickel .000030"
Contact: Gold .000010" over Nickel .000030"
Base: Nickel .000030" - .000060"
- P41: Terminal: Tin .0002" over Nickel .000030"
Contact: Gold .000010" over Nickel .000030"
Base: Nickel .000030" - .000060"
Nut and Lockwasher: Nickel .000030" min.
- P42: Terminal: Gold .000010" over Nickel .000030"
Contact: Gold .000010" over Nickel .000030"
Base: Nickel .000030" - .000060"
Nut and Lockwasher: Nickel .000030" min.
- P43: Terminal: Tin .0002" over Nickel .000030"
Contact: Gold .000010" over Nickel .000030"
Base: Nickel .000030" - .000060"
Lockwasher: Nickel .000030" min.
- T08: Terminal: Tin/Lead .0003" over Copper .0001"
- P44: Terminal: Gold .000010" over Nickel .000030"
Contact: Gold .000010" over Nickel .000030"
Base: Nickel .000030" min.
- P45: Terminal: Tin .0002" over Nickel .000030"
Contact: Gold .000010" over Nickel .000030"
Tab: Tin .0002" over Nickel .000030"
- P46: Terminal: Gold .000010" over Nickel .000030"
Contact: Gold .000010" over Nickel .000030"
Tab: Tin .0002" over Nickel .000030"

MATERIAL SPECIFICATIONS

Alternate Platings

Insulated Standoffs Feed-thru, threaded
P33 Tin/Cadmium or P34 Tin/Nickel
P35 Gold/Cadmium or P36 Gold/Nickel
Type N10 & N11 Pressit™ Non-Insulated
T08 Tin/Lead or G10 - Gold

Pressit™ Insulated Standoff – Feed-thrus
P33 Tin/Cadmium or P34 Tin/Nickel
P35 Gold/Cadmium or P36 Gold/Nickel

Test Jacks

P41 Tin/Gold or P42 Gold/Gold
P43 Tin/Gold or contact factory
P40 Tin/Gold or P44 Gold/Gold
P45 Tin/Gold or P46 Gold/Gold
P29 Tin/Lead-Gold or P27 Gold/Gold

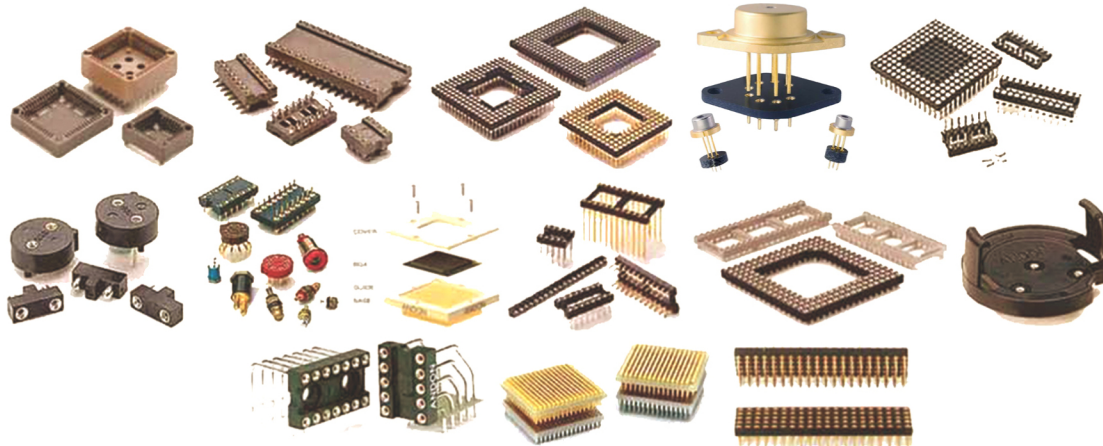
Alternate Platings

Tin	Gold
P41	P42
P40	P44
P45	P46
P29	P27
P33	P35
T08	G10

(1) **Material Specifications**
Terminal: Brass, ½ hard, QQ-B-626
Base/Eyelet: Brass, ½ hard, QQ-B-626
Insulator: Diallyl Phthalate, Mil-M-14G Type SDG-F
((1) The above material spec. applies to all the "T" and "N" series Andon Part Numbers)

(2) **Material Specifications**
Terminal: Brass, ½ hard, QQ-B-626
Contact: Beryllium Copper, QQ-C-533
Mounting: Brass, ½ hard, QQ-B-626
Insulator: Diallyl Phthalate, Mil-M-14G Type SDG-F
((2) The above material spec. applies to all the "J" series Andon Part Numbers "Closed Entry Jacks")

At Andon Electronics we provide interconnection components that help companies to cost effectively protect, assemble, test and replace their semiconductor devices.



- PGA SOCKETS & ADAPTERS
- BGA SOCKETS & ADAPTERS
- SMD SOCKETS & ADAPTERS
- DIP SOCKETS & ADAPTERS
- SIP SOCKETS & ADAPTERS
- FUSE SOCKETS
- TERMINALS AND TEST JACKS
- LCC SOCKETS
- PLCC SOCKETS
- IMAGE SENSOR SOCKETS
- GAS SENSOR SOCKETS
- OPTOELECTRONIC SOCKETS
- CARRIER SOCKETS
- BATTERY SOCKETS
- TEST SOCKETS

We offer custom as well as our standard catalog items.

Our intention is to be your one stop for all of your interconnection requirements.

Please visit our website at www.andonelect.com if you have any questions please do not hesitate to contact us.

Contact: Customer Service

Phone: (401) 333-0388

Fax: (401) 333-0287

Email: info@andonelect.com



B.C.E. s.r.l.

Via Regina Pacis, 54/c - 41049 SASSUOLO (MO) Italy
Tel. +39 0536 811.616 r.a. - Fax +39 0536 811.500
www.bce.it - E-mail: bce@bce.it

