

X-Lok Connector



CATALOGUE

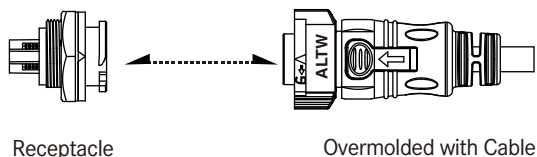
X-Lok Connector



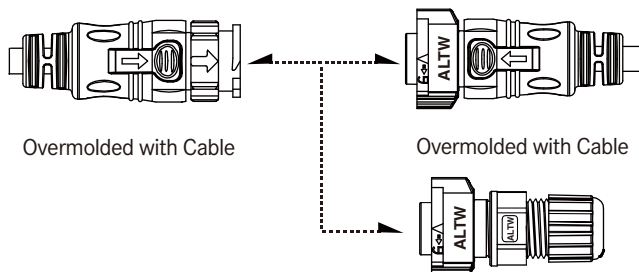
- Haptic
- Blind Mating
- Push-to-Connector
- Easy and Fast Disconnect

Range Overview

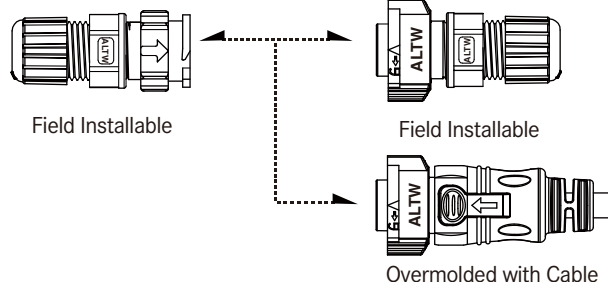
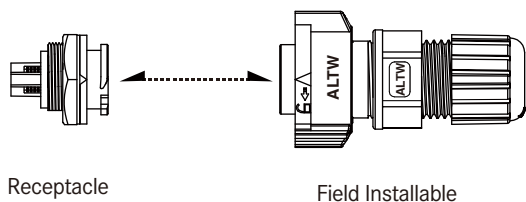
Receptacle to Overmolded with Cable



In Line



Receptacle to Field Installable



Specification

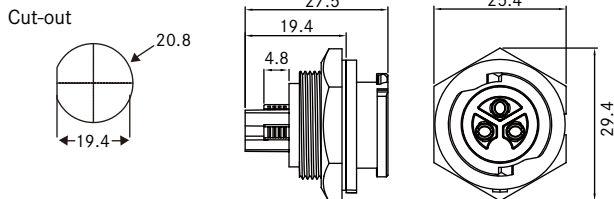
Identifications	C Size (Middle Size: 13/16"-28 UNS)
Description	Receptacle Overmolded with Cable Field Installable
Current Rating / Data	20A
Material	Contacts: Copper Alloy, Tin & Gold Plated Connector Body (Housing) : Nylon+GF, UL Recognized
Waterproof Rating	IP67
Temperature Range	Receptacle: -40°C ~ +105°C Overmolded with Cable: -20°C~80°C Field Installable: -40°C~ +105°C
Contact Resistance	≤ 10mΩ
Insulation Resistance	≥ 100mΩ at DC500V
Durability	500 cycles
Breakdown Voltage	≥ AC 1600V / 1 minute
More to know	Salt Spray Corrosion Test: 12H Standard cable length: 01~99M

Ordering Information

	1	2	3	4	5	6	7	8	9	10
Specification / Current Rating (SCC) 20A										
Number of Contacts 03 EX. (03) = 3 Contacts										
Connector Body (Style)										
<u>> For Receptacle</u> (R) Rear Fastened			<u>> For Overmolded with Cable</u> (M) With Strain Relief			<u>> For Field installable</u> (F) Without Strain Relief				
Connector (Housing) Gender (M) Male Connector (F) Female Connector										
Contact Gender (S) Male (Stamp) (P) Female (Stamp)										
Assemble Style										
<u>> For Receptacle</u> (S) Solder Type			<u>> For Overmolded with Cable</u> (S) Solder Type							
			<u>> For Field Installable</u> (C) Crimp Type							
Mating Style (Q) Push Lock (Sprind loaded nut)										
Backshell										
<u>> For Receptacle</u> (C) Circular			<u>> For Overmolded with Cable</u> (L) Straight			<u>> For Field Installable</u> (L) Straight				
			(R) Right Angle (Avaible soon)							
Waterproof Rating (7) IP 67										
More Information										
<u>> For Receptacle</u> (001), (002).....			<u>> For Overmolded with Cable</u> (<input type="checkbox"/>)+(<input type="checkbox"/>): Cable Type + Cable Length							
Without Cable :			EX. (A0 1) = UL2464 Cable + 1M							
Different Versions			<u>(<input type="checkbox"/>): Cable Type</u>		<u>(<input type="checkbox"/>): Cable Length</u>					
			(A) UL2464 Cable		From 1M to 99M					
			(B) UL2586 Cable		EX. (01) = 1M					
			(C) Power Cable(TC-ER)							

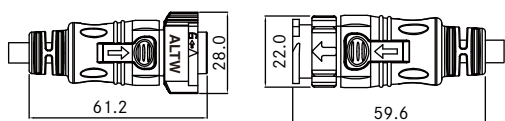
Physical Dimension

Receptacle

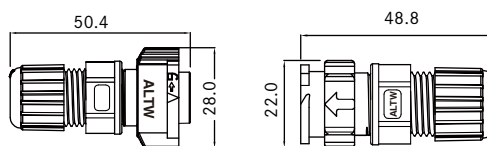


* Maximum Panel Thickness: 4.2mm | Solder PIN: 12Awg ~ 14Awg

Overmolded with Cable



Field Installable



Cable OD Range : 4.0mm ~ 9.6mm
 Dimensions are shown in millimeters

Contact Configuration

	Middle Size	
	20A	
4 5	MM or FF	MF or FM
3 Pin		
	R C F	R C F

R: Receptacle
C: Overmolded with Cable
F: Field Installable

20A (SCC) 1

Number of Contacts: 2
 Ex.3 contacts (03)

Connector (Housing) Gender: 4
 Male (M) or Female (F)

Contact Gender: 5
 Male (S) or Female (P)

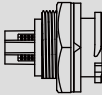
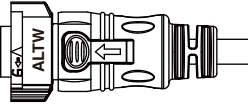
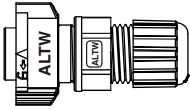
More to Choose: 6
 • Solder (S)

* More available: The Plating to Tin or Gold.

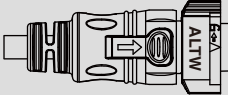
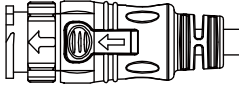
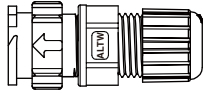
* Design and specification are subject to change without notice.

Find Our Standard Products

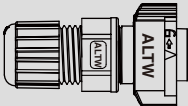
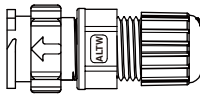
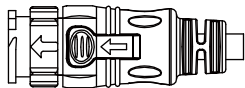
↘ Receptacle and Mating Pair

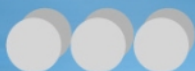
<ul style="list-style-type: none"> • Male Connector • Push Lock (Sprind loaded nut) 		<p>Receptacle →</p> 	<p>Overmolded with Cable →</p> 	<p>Field Installable</p> 
		** Selecting the cable length:01-99		
Current Rating (Code)	Contacts	Male Connector (M)	Female Connector (F)	Female Connector (F)
20A (SCC)	03	SCC- 03RMPS-QC7001	SCC- 03MFSS-QL70**	SCC- 03FFSC-QC7001

↘ In-line

<ul style="list-style-type: none"> • Female Connector • Push Lock (Sprind loaded nut) 		<p>Overmolded with Cable →</p> 	<p>Overmolded with Cable →</p> 	<p>Field Installable</p> 
		** Selecting the cable length:01-99		
Current Rating (Code)	Contacts	Female Connector (F)	Male Connector (M)	Male Connector (M)
20A (SCC)	03	SCC- 03MFSS-QL70**	SCC- 03MMPS-QL70**	SCC- 03FMPC-QC7001

↘ In-line

<ul style="list-style-type: none"> • Female Connector • Push Lock (Sprind loaded nut) 		<p>Field Installable →</p> 	<p>Field Installable →</p> 	<p>Overmolded with Cable</p> 
		** Selecting the cable length:01-99		
Current Rating (Code)	Contacts	Female Connector (F)	Male Connector (M)	Male Connector (M)
20A (SCC)	03	SCC- 03FFSC-QL7001	SCC- 03FMPC-QC7001	SCC- 03MMPS-QL70**



B.C.E. S.r.l. - Via Regina Pacis, 54/c - I 41049 Sassuolo (MO), Italy

Tel: (+39) 0536 811616 Fax: (+39) 0536 811500 E-mail: bce@bce.it Web: www.bce.it

