

## RBL Connector



## CATALOGUE

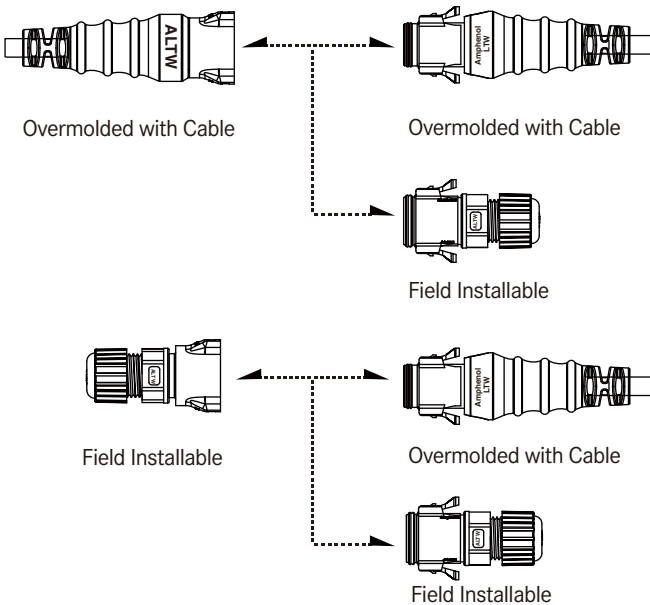
# RBL Connector



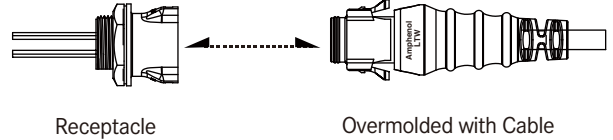
- Haptic
- Blind Mating
- Push-to-Connector
- Easy and Fast Disconnect

## Range Overview

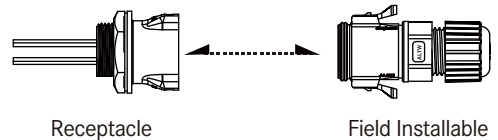
### ∨ In-line



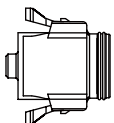
### ∨ Receptacle and Mating Pair



### ∨ Receptacle to Field Installable



### ∨ Accessories



Waterproof Cap  
See page 20-6

## Specification

|                              |  |
|------------------------------|--|
| <b>Identifications</b>       | C Size (Middle Size: 13/16"-28 UNS)  |
| <b>Description</b>           | Receptacle<br>Overmolded with Cable<br>Field Installable   |
| <b>Current Rating / Data</b> | 5A, 10A  |
| <b>Material</b>              | Contacts: Copper Alloy, Tin Plated & Gold Plated (Selective)<br>Connector Body (Housing) : m-PPE,540Z,BK |
| <b>Waterproof Rating</b>     | IP67(Mate Waterproof)  |
| <b>Temperature Range</b>     | Receptacle: -40°C ~ +105°C<br>Overmolded with Cable: -20°C~80°C<br>Field Installable: -40°C~ +105°C      |
| <b>Contact Resistance</b>    | ≤ 10mΩ   |
| <b>Insulation Resistance</b> | ≥ 100mΩ at DC500V  |
| <b>Durability</b>            | 1000 cycles  |
| <b>Breakdown Voltage</b>     | ≥ AC1000V / 1 minute   |
| <b>More to know</b>          | Salt Spray Corrosion Test: 4H<br>Standard cable length: 01~99M   |

\* Design and specification are subject to change without notice.

# Ordering Information

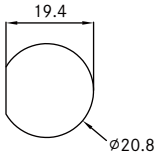
|   |                          |  |                                |          |          |          |          |          |          |           |                        |                          |                         |                           |                 |                        |  |                                |
|---|--------------------------|--|--------------------------------|----------|----------|----------|----------|----------|----------|-----------|------------------------|--------------------------|-------------------------|---------------------------|-----------------|------------------------|--|--------------------------------|
|   | <b>1</b>                 | <b>2</b>   | <b>3</b>                       | <b>4</b> | <b>5</b> | <b>6</b> | <b>7</b> | <b>8</b> | <b>9</b> | <b>10</b> |                        |                          |                         |                           |                 |                        |  |                                |
| <p>Specification / Current Rating<br/> <u>&gt;Middle size:13 / 16"-28 UNS</u><br/>                 (SCD) 5A<br/>                 (SCB) 10A</p>  |                          |  |                                |          |          |          |          |          |          |           |                        |                          |                         |                           |                 |                        |  |                                |
| <p>Number of Contacts<br/>                 04, 06<br/>                 EX. (04) = 4 Contacts</p>  |                          |  |                                |          |          |          |          |          |          |           |                        |                          |                         |                           |                 |                        |  |                                |
| <p>Connector Body (Style)<br/> <u>&gt; For Receptacle</u>      <u>&gt; For Ovremolded with Cable</u>      <u>&gt; For Field installable</u><br/>                 (R) Rear Fastened      (M) With Strain Relief      (F) Without Strain Relief</p>   |                          |  |                                |          |          |          |          |          |          |           |                        |                          |                         |                           |                 |                        |  |                                |
| <p>Connector (Housing) Gender<br/>                 (M) Male      (F) Female</p>   |                          |  |                                |          |          |          |          |          |          |           |                        |                          |                         |                           |                 |                        |  |                                |
| <p>Contact Gender<br/>                 (S) Male (Stamp)<br/>                 (P) Female (Stamp)      * Choose the Plating to Tin or Gold.</p>   |                          |  |                                |          |          |          |          |          |          |           |                        |                          |                         |                           |                 |                        |  |                                |
| <p>Assemble Style<br/> <u>&gt; For Receptacle</u>      <u>&gt; For Overmolded with Cable</u><br/>                 (S) Solder Type      (C) Crimp Type<br/> <u>&gt; For Field Installable</u><br/>                 (C) Crimp Type</p>  |                          |  |                                |          |          |          |          |          |          |           |                        |                          |                         |                           |                 |                        |  |                                |
| <p>Mating Style<br/>                 (R) Snap-in with</p>   |                          |  |                                |          |          |          |          |          |          |           |                        |                          |                         |                           |                 |                        |  |                                |
| <p>Backshell<br/> <u>&gt; For Receptacle</u>      <u>&gt; For Overmolded with Cable</u>      <u>&gt; For Field Installable</u><br/>                 (C) Circular      (L) Straight      (L) Straight<br/>                 (S) Square Flange</p>   |                          |  |                                |          |          |          |          |          |          |           |                        |                          |                         |                           |                 |                        |  |                                |
| <p>Waterproof Rating<br/>                 (7) IP 67</p>   |                          |  |                                |          |          |          |          |          |          |           |                        |                          |                         |                           |                 |                        |  |                                |
| <p>More information<br/> <u>&gt; For Receptacle with Wirehamess</u>      <u>&gt; For Overmolded with Cable</u><br/>                 (□)+(■) : Wire Type + Wire Length      (□)+(■) : Cable Type + Cable Length<br/>                 EX. (A10) = UL1015 Wire + 10 CM</p> <table border="0" style="width: 100%;"> <tr> <td style="width: 25%;"><u>(□) : Wire Type</u></td> <td style="width: 25%;"><u>(■) : Wire Length</u></td> <td style="width: 25%;"><u>(□) : Cable Type</u></td> <td style="width: 25%;"><u>(■) : Cable Length</u></td> </tr> <tr> <td>(A) UL1015 Wire</td> <td>(10) 10CM<br/>(30) 30CM</td> <td>(A) UL2464 Cable<br/>(B) UL2586 Cable<br/>(C) Power Cable(TC-ER)</td> <td>From 1M to 99M<br/>EX.(01) = 1M</td> </tr> </table> |                          |  |                                |          |          |          |          |          |          |           | <u>(□) : Wire Type</u> | <u>(■) : Wire Length</u> | <u>(□) : Cable Type</u> | <u>(■) : Cable Length</u> | (A) UL1015 Wire | (10) 10CM<br>(30) 30CM | (A) UL2464 Cable<br>(B) UL2586 Cable<br>(C) Power Cable(TC-ER) | From 1M to 99M<br>EX.(01) = 1M |
| <u>(□) : Wire Type</u>  | <u>(■) : Wire Length</u> | <u>(□) : Cable Type</u>  | <u>(■) : Cable Length</u>      |          |          |          |          |          |          |           |                        |                          |                         |                           |                 |                        |  |                                |
| (A) UL1015 Wire   | (10) 10CM<br>(30) 30CM   | (A) UL2464 Cable<br>(B) UL2586 Cable<br>(C) Power Cable(TC-ER) | From 1M to 99M<br>EX.(01) = 1M |          |          |          |          |          |          |           |                        |                          |                         |                           |                 |                        |  |                                |

# Physical Dimension

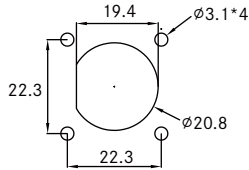
## Receptacle

**A** Backshell: Circular    **B** Backshell: Square Flange

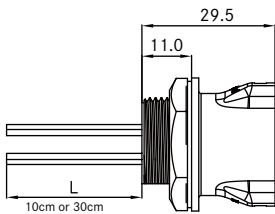
Panel Cut-Out



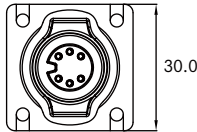
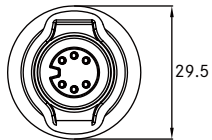
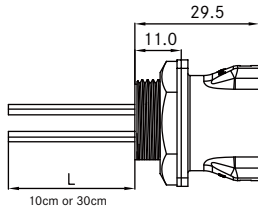
Panel Cut-Out



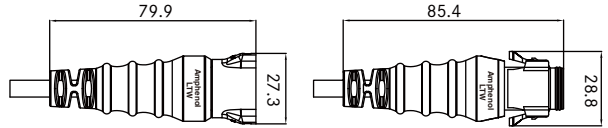
Connector Dimension



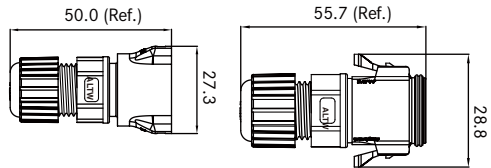
Connector Dimension



## Overmolded with Cable



## Field Installable



# Contact Configuration

|                   | Middle Size (C) |          |          |          |
|-------------------|-----------------|----------|----------|----------|
|                   | 5A              |          | 10A      |          |
| <b>4</b> <b>5</b> | MM or FF        | MF or FM | MM or FF | MF or FM |
| 2Pin              |                 |          |          |          |
| 3Pin              |                 |          |          |          |
| 4Pin              |                 |          |          |          |
|                   |                 |          | R C F    |          |
| 5Pin              |                 |          |          |          |
| 6Pin              |                 |          |          |          |
|                   | R C F           |          |          |          |

**R:** receptacle  
**C:** overmolded with cable  
**F:** Field Installable

● 5A (SCD) **1**  
● 10A (SCB)

**Contact Number:** **2**  
Contacts (06), (04)

**Connector (Housing) Gender:** **4**  
Male(M) or Female(F)

**Contact Gender:** **5**  
Male(M) or Female(F)

**More to Choose:** **6**

● Solder (S)      ● Crimp (C)

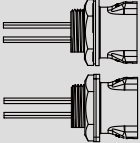
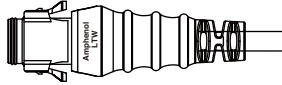
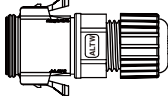
\* More available: 1. The plating to gold or tin  
2. Plated thickness

**1** — **2** **3** **4** **5** **6** — **7** **8** **9** **10**

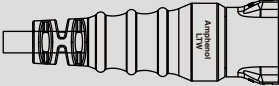
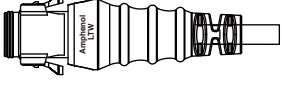
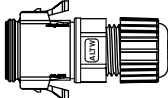
\* Design and specification are subject to change without notice.

## Find Our Standard Products

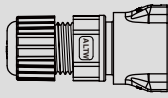
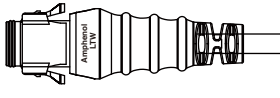
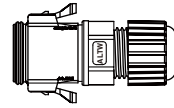
### ∟ Middle Size: 13/16"-28 UNS > Receptacle and Mating Pair

| <ul style="list-style-type: none"> <li>● Female Connector</li> <li>● Snap-in with Latch</li> </ul> |          | <p>Receptacle →</p>  <p>* Receptacle With Wireharness: A10 - 10cm;<br/>A30 - 30cm<br/>** Choose the cable length:01-99</p> | <p>Overmolded with Cable →</p>  <p>** Select cable length from 01~99m</p> | <p>Field Installable</p>  |
|--|----------|---|---|--|
| Current Rating (Code)  | Contacts | Female Connector (F)  | Male Connector (M)  | Male Connector (M)   |
| 5A (SCD)   | 06       | SCD-06RFPS-RC**<br>SCD-06RFPS-RS**  | SCD-06MMSC-RL7A**   | SCD-06FMSC-RL7001  |
| 10A (SCB)  | 04       | SCB-04RFPS-RC**<br>SCB-04RFPS-RS**  | SCB-04MMSC-RL7A**   | SCB-04FMSC-RL7001  |

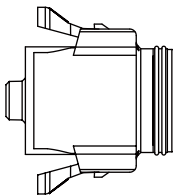
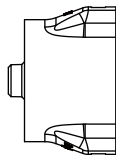
### ∟ Middle Size: 13/16"-28 UNS > In-line

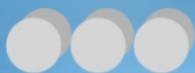
| <ul style="list-style-type: none"> <li>● Female Connector</li> <li>● Snap-in with Latch</li> </ul> |          | <p>Overmolded with Cable →</p>  <p>** Select cable length from 01~99m</p> | <p>Overmolded with Cable →</p>  <p>** Select cable length from 01~99m</p> | <p>Field Installable</p>  |
|--|----------|--|---|--|
| Current Rating (Code)  | Contacts | Female Connector (F)   | Male Connector (M)  | Male Connector (M)   |
| 5A (SCD)   | 06       | SCD-06MFPC-RL7A**  | SCD-06MMSC-RL7A**   | SCD-06FMSC-RL7001  |
| 10A (SCB)  | 04       | SCB-04MFPS-RS**  | SCB-04MMSC-RL7A**   | SCB-04FMSC-RL7001  |

▾ Middle Size: 13/16"-28 UNS >In-line

| <ul style="list-style-type: none"> <li>● Female Connector</li> <li>● Snap-in with Latch</li> </ul> |          | Field Installable →   | Overmolded with Cable →  | Field Installable   |
|--|----------|---|--|---|
|  |          |  |  |  |
|  |          | ** Select cable length from 01-99m  |  |   |
| Current Rating (Code)  | Contacts | Female Connector (F)  | Male Connector (M)   | Male Connector (M)  |
| 5A (SCD)   | 06       | SCD-06FFPC-RL7001   | SCD-06MMSC-RL7A**  | SCD-06FMSC-RL7001   |
| 10A (SCB)  | 04       | SCB-04FFPC-RL7001   | SCB-04MMSC-RL7A**  | SCB-04FMSC-RL7001   |

▾ Accessories > Waterproof Cap

| <div style="display: flex; justify-content: space-around; align-items: center;"> <div style="text-align: center;">  <p>Mating Pair (Gender): Female</p> </div> <div style="text-align: center;">  <p>Mating Pair (Gender): Male</p> </div> </div> |                                      |                    |  |
|---|--------------------------------------|--------------------|--|
| <span style="border: 1px solid black; border-radius: 50%; padding: 2px;">5</span> Choose Connector Gender Male (M) or Female (F)  |                                      |                    |  |
| Size  | Mating Pair                          | Mating Style       | Part Number  |
| 13/16"-28 UNS   | Receptacle                           | Snap In With Latch | CAP-WAC <span style="border: 1px solid black; border-radius: 50%; padding: 2px;">5</span> RMA1 |
|   | Overmolded with Cable                | Snap In With Latch |  |
|   | Receptacle and Overmolded with Cable | Snap In With Latch |  |



**B.C.E. S.r.l.** - Via Regina Pacis, 54/c - I 41049 Sassuolo (MO), Italy

Tel: (+39) 0536 811616 Fax: (+39) 0536 811500 E-mail: [bce@bce.it](mailto:bce@bce.it) Web: [www.bce.it](http://www.bce.it)

