



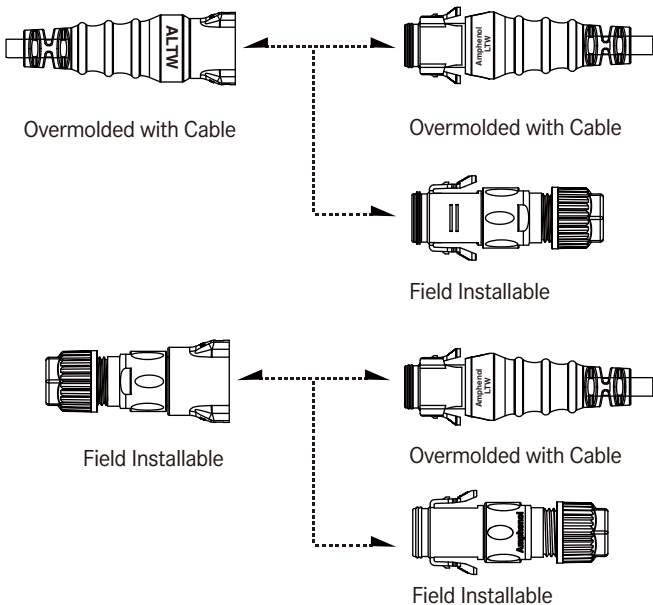
## CATALOGUE

# RBL Connector

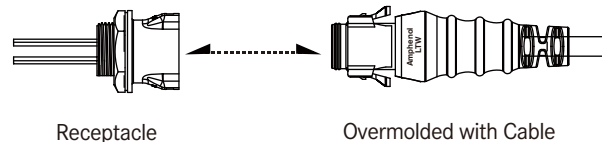


## Range Overview

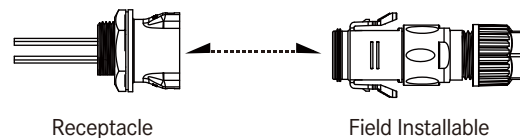
### ∨ In-line



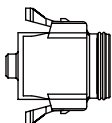
### ∨ Receptacle and Mating Pair



### ∨ Receptacle to Field Installable



### ∨ Accessories



Waterproof Cap  
See page 20-6

## Specification

<b>Identifications</b>	C Size (Middle Size: 13/16"-28 UNS) / D-Size (Large Size: 1"-28UNS)
<b>Description</b>	Receptacle Overmolded with Cable Field Installable
<b>Current Rating / Data</b>	5A, 10A, 20A
<b>Material</b>	Contacts: Copper Alloy, Tin Plated & Gold Plated (Selective) Connector Body (Housing) : m-PPE,540Z,Black
<b>Waterproof Rating</b>	IP67
<b>Temperature Range</b>	Receptacle: -40°C ~ +105°C Overmolded with Cable: -20°C~80°C Field Installable: -40°C~ +105°C
<b>Contact Resistance</b>	≤ 10mΩ
<b>Insulation Resistance</b>	≥ 100MΩ at DC500V
<b>Durability</b>	250 cycles
<b>Breakdown Voltage</b>	≥ AC1000V / 1 minute
<b>More to know</b>	Salt Spray Corrosion Test: 48H Standard Cable Length: 01~99M

【Note】 Design and specification are subject to change without notice.

# Ordering Information

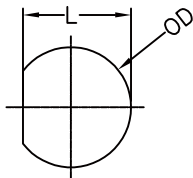
	<b>1</b> - <b>2</b>	<b>3</b>	<b>4</b>	<b>5</b>	<b>6</b> - <b>7</b>	<b>8</b>	<b>9</b>	<b>10</b>
<b>Specification / Current Rating</b>								
<u>&gt;Middle size:13 / 16"-28 UNS</u>				<u>&gt;&gt;Large Size:1"-20UNS</u>				
<b>(CD)</b> 5A		<b>(DD)</b> 5A						
<b>(CB)</b> 10A		<b>(DC)</b> 20A						
<b>Number of Contacts</b>								
02、03、04.....								
EX. <b>(04)</b> = 4 Contacts								
<b>Connector Body (Style)</b>								
<u>&gt; For Receptacle</u>			<u>&gt; For Ovremolded with Cable</u>			<u>&gt; For Field installable</u>		
<b>(R)</b> Rear Fastened			<b>(A)</b> With Strain Relief			<b>(B)</b> Without Strain Relief		
<b>Connector (Housing) Gender</b>								
<b>(M)</b> Male			<b>(F)</b> Female					
<b>Contact Gender</b>								
<b>(M)</b> Male								
<b>(F)</b> Female								
<b>Assemble Style</b>								
<u>&gt; For Receptacle</u>			<u>&gt; For Overmolded with Cable</u>					
<b>(C)</b> Crimp Type			<b>(M)</b> Overmolder with cable					
<u>&gt; For Field Installable</u>								
<b>(C)</b> Field Installable(Crimp Type)								
<b>Mating Style</b>								
<b>(R)</b> Snap-in with Latch								
<b>Backshell</b>								
<u>&gt; For Receptacle</u>			<u>&gt; For Overmolded with Cable</u>			<u>&gt; For Field</u>		
<b>(C)</b> Circular			<b>(L)</b> Straight			<u>Installable</u>		
<b>(S)</b> Square Flange			<b>(R)</b> Right Angle			<b>(L)</b> Straight		
<b>Waterproof Rating</b>								
<b>(7)</b> IP 67								
<b>More information</b>								
<u>&gt; For Receptacle with Wireharness</u>				<u>&gt; For Overmolded with Cable</u>				
<b>(□)</b> + <b>(■)</b> : Wire Type + Wire Length				<b>(□)</b> + <b>(■)</b> : Cable Type + Cable Length				
EX. <b>(A10)</b> = UL1015 Wire + 10 CM								
<u><b>(□)</b> : Wire Type</u>		<u><b>(■)</b> : Wire Length</u>		<u><b>(□)</b> : Cable Type</u>		<u><b>(■)</b> : Cable Length</u>		
<b>(A)</b> UL1015 Wire		<b>(10)</b> 10CM		<b>(A)</b> UL2464 Cable		From 1M to 99M		
<b>(B)</b> UL1430 Wire		<b>(30)</b> 30CM					EX. <b>(01)</b> = 1M	

# Physical Dimension

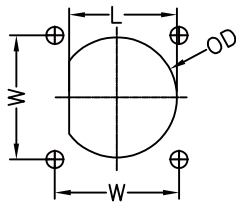
## Receptacle

Panel Cut-Out

**A** Backshell: Circular



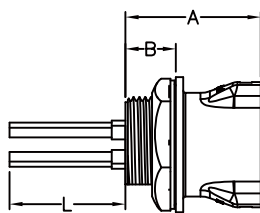
**B** Backshell: Square Flange



AMP		Dimension	Type	L	W	OD
Size	Current Rating (Code)	Female				
Middle Size	5A(CD)	A	19.4	-	20.8	22.3
		B				
	10A(CB)	A		-		
		B		22.3		
Large Size	5A(DD)	A	23.6	-	25.6	26.0
		B		26.0		
	20A(DC)	A		-		
		B		26.0		

Connector Dimension

**A** Backshell: Circular



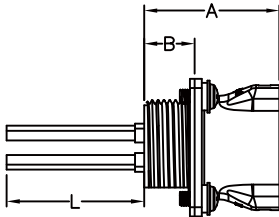
AMP		Dimension	A	B	OD	L(cm)	Panel Thickness Max
Size	Current Rating (Code)	Female					
Middle Size	5A(CD)	29.5	11.0	29.5	10 / 30	5.0	
	10A(CB)						
Large Size	5A(DD)	28.4	10.3	36.0	10 / 30	5.0	
	20A(DC)						

# Physical Dimension

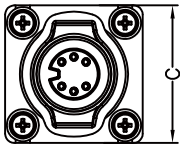
## Receptacle

Connector Dimension

**B** Backshell: Square Flange

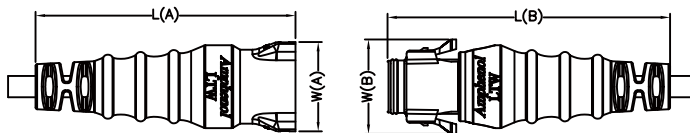


AMP		Dimension				L(cm)	Panel Thickness Max
Size	Current Rating (Code)	A	B	C	Female		
Middle Size	5A(CD)	29.5	11.0	30.0	10 / 30	-	
	10A(CB)						
Large Size	5A(DD)	28.4	10.3	36.0	10 / 30	-	
	20A(DC)						



## Overmolded with Cable

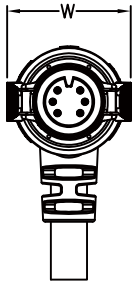
With Strain Relief / Straight



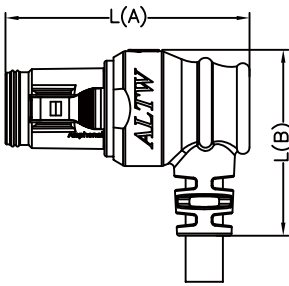
AMP		L		W	
Size	Current Rating (Code)	Female (A)	Male (B)	Female (A)	Male (B)
Middle Size	5A(CD)	79.4 (Ref.)	86.3 (Ref.)	27.3	28.8
	10A(CB)				
Large Size	5A(DD)	90.0 (Ref.)	97.0 (Ref.)	32.5	34.3
	20A(DC)				

### Overmolded with Cable

With Strain Relief / Right Angle

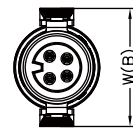
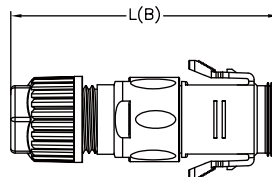
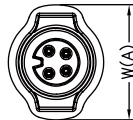
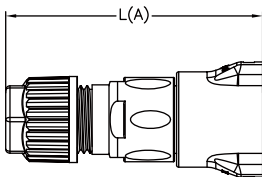


AMP		Dimension	L (A)	L (B)	W
Size	Current Rating (Code)	Male			
Middle Size	5A(CD)	53.8	40.6	28.8	
	10A(CB)				
Large Size	5A(DD)	-	-	-	
	20A(DC)				



### Field Installable

Without Strain Relief / Straight



AMP		Dimension	L		W	
Size	Current Rating (Code)		Female (A)	Male (B)	Female (A)	Male (B)
Middle Size	5A(CD)	51.5 (Ref.)	56.2 (Ref.)	27.3	28.8	
	10A(CB)					
Large Size	20A(DC)	67.8 (Ref.)	71.3 (Ref.)	32.5	34.3	

# Contact Configuration

▲ 5A ■ 10A ◆ 20A	Middle Size (C)											
	5A (CD)				10A (CB)							
	4	5	MM	FF	MF	FM	MM	FF	MF	FM		
2 Pin (02)												
	C   F	R   C   F	C   F	R   C   F	C   F	R   C   F	C   F	R   C   F	C   F	R   C   F	C   F	R   C   F
3 Pin (03)												
	C   F	R   C   F	C   F	R   C   F	C   F	R   C   F	C   F	R   C   F	C   F	R   C   F	C   F	R   C   F
4 Pin (04)												
	C   F	R   C   F	C   F	R   C   F	C   F	R   C   F	C   F	R   C   F	C   F	R   C   F	C   F	R   C   F
5 Pin (05)												
	C	C   R	C	C   R								
6 Pin (06)												
	C	C   R	C	C   R								
7 Pin (07)												
	C	C   R	C	C   R								
8 Pin (08)												
	C	C   R	C	C   R								
9 Pin (09)												
	C	C   R	C	C   R								
10 Pin (10)												
12 Pin (12)												
14 Pin (14)												
18 Pin (18)												

	Large Size (D)							
	5A (DD)				10A (DC)			
4 5	MM	FF	MF	FM	MM	FF	MF	FM
2 Pin (02)								
					C   F	R   C   F	C   F	R   C   F
3 Pin (03)								
					C   F	R   C   F	C   F	R   C   F
4 Pin (04)								
					C   F	R   C   F	C   F	R   C   F
5 Pin (05)								
6 Pin (06)								
7 Pin (07)								
8 Pin (08)								
9 Pin (09)								
10 Pin (10)								
	C	C   R	C	C   R				
12 Pin (12)								
	C	C   R	C	C   R				
14 Pin (14)								
	C	C   R	C	C   R				
18 Pin (18)								
	C	C   R	C	C   R				

**R:** Receptacle  
**C:** Overmolded with cable  
**F:** Field Installable

1 5A (CD/DD) 10A (CB) 20A (DC)

2 **Contact Number:**  
 Ex. 2 Pin (02)

4 **Connector (Housing) Gender:**  
 Male(M) or Female(F)

5 **Contact Gender:**  
 Male(M) or Female(F)

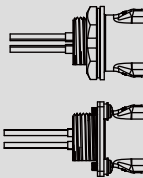
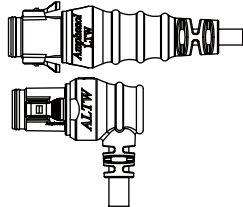
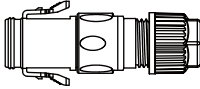
6 **More to Choose:**  
 • Crimp (C)

\* More available: 1. Plated thickness

[Note] Design and specification are subject to change without notice.

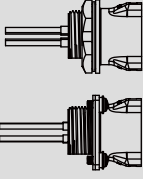
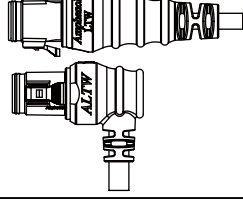
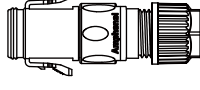
# Find Our Standard Products

## ▾ Middle Size: 13/16"-28 UNS > Receptacle and Mating Pair

<ul style="list-style-type: none"> <li>Female Connector (Housing)</li> <li>Snap-in with Latch</li> </ul>		Receptacle 	Overmolded with Cable 	Field Installable 
Current Rating (Code)	Contacts <b>2</b>	Female Connector (F) Female Contacts (F)	Male Connector (M) Male Contacts (M)	Male Connector (M) Male Contacts (M)
5A (CD)	02 \ 03 \ 04 \ 05 \ 06 \ 07 \ 08 \ 09	CD- <b>2</b> RFFC-RC7BXX* CD- <b>2</b> RFFC-RS7BXX*	CD- <b>2</b> AMMM-RL7AXX** CD- <b>2</b> AMMM-RR7AXX**	CD-02BMMC-RL7001 CD-03BMMC-RL7001 CD-04BMMC-RL7001
10A (CB)	02 \ 03 \ 04	CB- <b>2</b> RFFC-RC7AXX* CB- <b>2</b> RFFC-RS7AXX*	CB- <b>2</b> AMMM-RL7AXX** CB- <b>2</b> AMMM-RR7AXX**	CB- <b>2</b> BMMC-RL7001

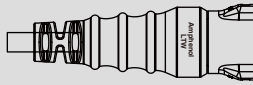
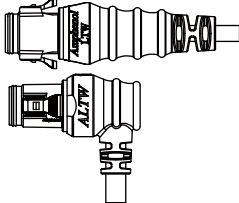
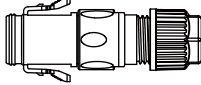
\* XX: Receptacle With Wireharness: A10 - 10cm; A30 - 30cm  
\*\* XX: Choose the cable length from 01~99m

## ▾ Middle Size: 13/16"-28 UNS > Receptacle and Mating Pair

<ul style="list-style-type: none"> <li>Female Connector (Housing)</li> <li>Snap-in with Latch</li> </ul>		Receptacle 	Overmolded with Cable 	Field Installable 
Current Rating (Code)	Contacts <b>2</b>	Female Connector (F) Male Contacts (M)	Male Connector (M) Female Contacts (F)	Male Connector (M) Female Contacts (F)
5A (CD)	02 \ 03 \ 04 \ 05 \ 06 \ 07 \ 08 \ 09	CD- <b>2</b> RFMC-RC7BXX* CD- <b>2</b> RFMC-RS7BXX*	CD- <b>2</b> AMFM-RL7AXX* CD- <b>2</b> AMFM-RR7AXX*	CD-02.03.04BMFC-RL7001
10A (CB)	02 \ 03 \ 04	CB- <b>2</b> RFMC-RC7AXX* CB- <b>2</b> RFMC-RS7AXX*	CB- <b>2</b> AMMM-RL7AXX* CB- <b>2</b> AMFM-RR7AXX*	CB- <b>2</b> BMFC-RL7001

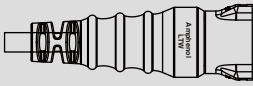
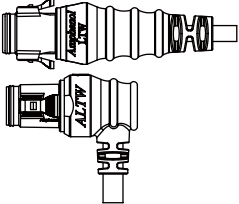
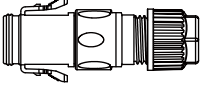
\* XX: Receptacle With Wireharness: A10 - 10cm; A30 - 30cm  
\*\* XX: Choose the cable length from 01~99m

∟ Middle Size: 13/16"-28 UNS > In-Line

<ul style="list-style-type: none"> <li>Female Connector (Housing)</li> <li>Snap-in with Latch</li> </ul>		Receptacle 	Overmolded with Cable 	Field Installable 
Current Rating (Code)	Contacts ②	Female Connector (F) Female Contacts (F)	Male Connector (M) Male Contacts (M)	Male Connector (M) Male Contacts (M)
5A (CD)	02、03、04、05、06、07、08、09	CD-② AFFM-RL7A $\underline{XX}$ *	CD-② AMMM-RL7A $\underline{XX}$ ** CD-② AMMM-RR7A $\underline{XX}$ **	CD-02BMMC-RL7001 CD-03BMMC-RL7001 CD-04BMMC-RL7001
10A (CB)	02、03、04	CB-② AFFM-RL7A $\underline{XX}$ *	CB-② AMMM-RL7A $\underline{XX}$ ** CB-② AMMM-RR7A $\underline{XX}$ **	CB-② BMMC-RL7001

\* XX: Choose the cable length from 01~99m

∟ Middle Size: 13/16"-28 UNS > In-Line

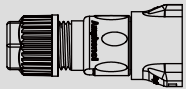
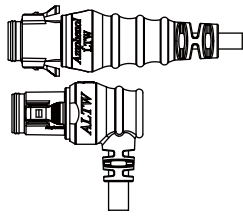
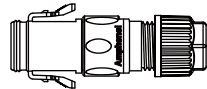
<ul style="list-style-type: none"> <li>Female Connector (Housing)</li> <li>Snap-in with Latch</li> </ul>		Receptacle 	Overmolded with Cable 	Field Installable 
Current Rating (Code)	Contacts ②	Female Connector (F) Male Contacts (F)	Male Connector (M) Female Contacts (M)	Male Connector (M) Female Contacts (M)
5A (CD)	02、03、04、05、06、07、08、09	CD-② AFFM-RL7A $\underline{XX}$ *	CD-② AMFM-RL7A $\underline{XX}$ ** CD-② AMFM-RR7A $\underline{XX}$ **	CD-02BMMC-RL7001 CD-03BMMC-RL7001 CD-04BMMC-RL7001
10A (CB)	02、03、04	CB-② AFFM-RL7A $\underline{XX}$ *	CB-② AMFM-RL7A $\underline{XX}$ ** CB-② AMFM-RR7A $\underline{XX}$ **	CB-② BMFC-RL7001

\* XX: Choose the cable length from 01~99m

① — ② ③ ④ ⑤ ⑥ — ⑦ ⑧ ⑨ ⑩

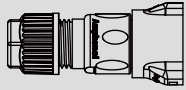
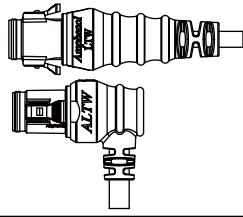
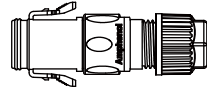
【Note】 Design and specification are subject to change without notice.

∨ Middle Size: 13/16"-28 UNS >In-line

<ul style="list-style-type: none"> <li>Female Connector (Housing)</li> <li>Snap-in with Latch</li> </ul>		Field Installable 	Overmolded with Cable 	Field Installable 
Current Rating (Code)	Contacts 2	Female Connector (F) Female Contacts (F)	Male Connector (M) Male Contacts (M)	Male Connector (M) Male Contacts (M)
5A (CD)	02、03、04	CD-2 BFFC-RL7001	CD-2 AMMM-RL7AXX* CD-2 AMMM-RR7AXX*	CD-2 BMMC-RL7001
10A (CB)	02、03、04	CB-2 BFFC-RL7001	CB-2 AMMM-RL7AXX* CB-2 AMMM-RR7AXX*	CB-2 BMMC-RL7001

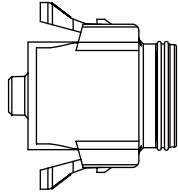
\* XX: Choose the cable length from 01-99m

∨ Middle Size: 13/16"-28 UNS >In-line

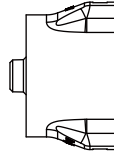
<ul style="list-style-type: none"> <li>Female Connector (Housing)</li> <li>Snap-in with Latch</li> </ul>		Field Installable 	Overmolded with Cable 	Field Installable 
Current Rating (Code)	Contacts 2	Female Connector (F) Male Contacts (F)	Male Connector (M) Female Contacts (M)	Male Connector (M) Female Contacts (M)
5A (CD)	02、03、04	CD-2 BFFC-RL7001	CD-2 AMFM-RL7AXX* CD-2 AMFM-RR7AXX*	CD-2 BMFC-RL7001
10A (CB)	02、03、04	CB-2 BFFC-RL7001	CB-2 AMFM-RL7AXX* CB-2 AMFM-RR7AXX*	CB-2 BMFC-RL7001

\* XX: Choose the cable length from 01-99m

↳ Accessories > Waterproof Cap



Mating Pair (Gender): Female



Mating Pair (Gender): Male

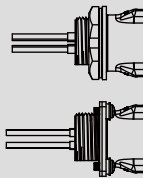

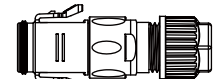
5 Choose Connector Gender Male (M) or Female (F)

Size	Mating Pair	Mating Style	Part Number
13/16"-28 UNS	Receptacle	Snap-in With Latch	CAP-WAC 5 RMA1
	Overmolded with Cable	Snap-in With Latch	
	Receptacle and Overmolded with Cable	Snap-in With Latch	

1 — 2 3 4 5 6 — 7 8 9 10

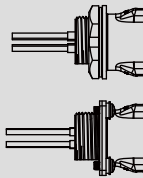
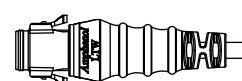
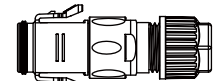
【Note】 Design and specification are subject to change without notice.

Large Size: 1"-20UNS >Receptacle and Mating Pair

<ul style="list-style-type: none"> <li>Female Connector (Housing)</li> <li>Snap-in with Latch</li> </ul>		Receptacle 	Overmolded with Cable 	Field Installable 
Current Rating (Code)	Contacts <span style="border: 1px solid black; border-radius: 50%; padding: 2px;">2</span>	Female Connector (F) Female Contacts (F)	Male Connector (M) Male Contacts (M)	Male Connector (M) Male Contacts (M)
5A (DD)	10、12、14、18	DD- <span style="border: 1px solid black; border-radius: 50%; padding: 2px;">2</span> RFFC-RC7A <u>XX</u> * DD- <span style="border: 1px solid black; border-radius: 50%; padding: 2px;">2</span> RFFC-RS7A <u>XX</u> *	DD- <span style="border: 1px solid black; border-radius: 50%; padding: 2px;">2</span> AMMM-RL7A <u>XX</u> **	--
20A (DC)	02、03、04	DC- <span style="border: 1px solid black; border-radius: 50%; padding: 2px;">2</span> RFFC-RC7A <u>XX</u> * DC- <span style="border: 1px solid black; border-radius: 50%; padding: 2px;">2</span> RFFC-RS7A <u>XX</u> *	DC- <span style="border: 1px solid black; border-radius: 50%; padding: 2px;">2</span> AMMM-RL7A <u>XX</u> **	DC- <span style="border: 1px solid black; border-radius: 50%; padding: 2px;">2</span> BMMC-RL7001

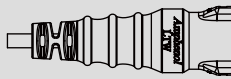
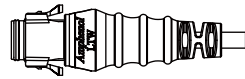
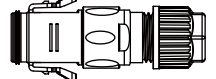
\* XX: Receptacle With Wireharness: A10 - 10cm; A30 - 30cm  
 \*\* XX: Choose the cable length from 01~99m

Large Size: 1"-20UNS >Receptacle and Mating Pair

<ul style="list-style-type: none"> <li>Female Connector (Housing)</li> <li>Snap-in with Latch</li> </ul>		Receptacle 	Overmolded with Cable 	Field Installable 
Current Rating (Code)	Contacts <span style="border: 1px solid black; border-radius: 50%; padding: 2px;">2</span>	Female Connector (F) Male Contacts (M)	Male Connector (M) Female Contacts (F)	Male Connector (M) Female Contacts (F)
5A (DD)	10、12、14	DD- <span style="border: 1px solid black; border-radius: 50%; padding: 2px;">2</span> RFMC-RC7A <u>XX</u> * DD- <span style="border: 1px solid black; border-radius: 50%; padding: 2px;">2</span> RFMC-RS7A <u>XX</u> *	DD- <span style="border: 1px solid black; border-radius: 50%; padding: 2px;">2</span> AMFM-RL7A <u>XX</u> **	--
20A (DC)	02、03、04	DC- <span style="border: 1px solid black; border-radius: 50%; padding: 2px;">2</span> RFMC-RC7A <u>XX</u> * DC- <span style="border: 1px solid black; border-radius: 50%; padding: 2px;">2</span> RFMC-RS7A <u>XX</u> *	DC- <span style="border: 1px solid black; border-radius: 50%; padding: 2px;">2</span> AMFM-RL7A <u>XX</u> **	DC- <span style="border: 1px solid black; border-radius: 50%; padding: 2px;">2</span> BMFC-RL7001

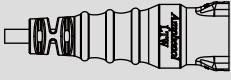
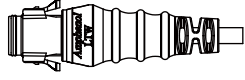
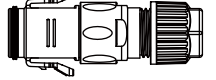
\* XX: Receptacle With Wireharness: A10 - 10cm; A30 - 30cm  
 \*\* XX: Choose the cable length from 01~99m

∟ Large Size: 1"-20UNS >In-Line

<ul style="list-style-type: none"> <li>Female Connector (Housing)</li> <li>Snap-in with Latch</li> </ul>		Receptacle 	Overmolded with Cable 	Field Installable 
Current Rating (Code)	Contacts <b>2</b>	Female Connector (F) Female Contacts (F)	Male Connector (M) Male Contacts (M)	Male Connector (M) Male Contacts (M)
5A (DD)	10、12、14、18	DD- <b>2</b> AFFC-RL7A <u>XX</u> *	DD- <b>2</b> AMMM-RL7A <u>XX</u> **	--
20A (DC)	02、03、04	DC- <b>2</b> AFFC-RL7A <u>XX</u> *	DC- <b>2</b> AMMM-RL7A <u>XX</u> **	DC- <b>2</b> BMMC-RL7001

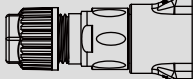
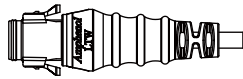
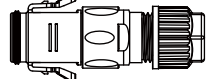
\* XX: Choose the cable length from 01~99m

∟ Large Size: 1"-20UNS >In-Line

<ul style="list-style-type: none"> <li>Female Connector (Housing)</li> <li>Snap-in with Latch</li> </ul>		Receptacle 	Overmolded with Cable 	Field Installable 
Current Rating (Code)	Contacts <b>2</b>	Female Connector (F) Male Contacts (M)	Male Connector (M) Female Contacts (F)	Male Connector (M) Female Contacts (F)
5A (DD)	10、12、14	DD- <b>2</b> AFMC-RC7A <u>XX</u> *	DD- <b>2</b> AMFM-RL7A <u>XX</u> **	--
20A (DC)	02、03、04	DC- <b>2</b> AFMC-RC7A <u>XX</u> *	DC- <b>2</b> AMFM-RL7A <u>XX</u> **	DC- <b>2</b> BMFC-RL7001

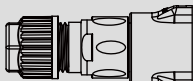
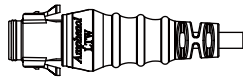
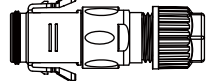
\* XX: Choose the cable length from 01~99m

∟ Large Size: 1"-20UNS >In-Line

<ul style="list-style-type: none"> <li>Female Connector (Housing)</li> <li>Snap-in with Latch</li> </ul>		Receptacle 	Overmolded with Cable 	Field Installable 
Current Rating (Code)	Contacts <sup>2</sup>	Female Connector (F) Female Contacts (F)	Male Connector (M) Male Contacts (M)	Male Connector (M) Male Contacts (M)
5A (DD)	10、12、 14、18	--	DD- <sup>2</sup> AMMM-RL7A <u>XX</u> **	--
20A (DC)	02、03、04	DC- <sup>2</sup> RFFC-RL7A <u>XX</u> *	DC- <sup>2</sup> AMMM-RL7A <u>XX</u> **	DC- <sup>2</sup> BMMC-RL7001

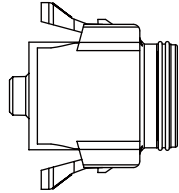
\* XX: Choose the cable length from 01-99m

∟ Large Size: 1"-20UNS >In-Line

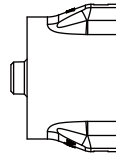
<ul style="list-style-type: none"> <li>Female Connector (Housing)</li> <li>Snap-in with Latch</li> </ul>		Receptacle 	Overmolded with Cable 	Field Installable 
Current Rating (Code)	Contacts <sup>2</sup>	Female Connector (F) Male Contacts (M)	Male Connector (M) Female Contacts (F)	Male Connector (M) Female Contacts (F)
5A (DD)	10、12、 14、18	--	DD- <sup>2</sup> AMFM-RL7A <u>XX</u> **	--
20A (DC)	02、03、04	DC- <sup>2</sup> RFMC-RL7A <u>XX</u> *	DC- <sup>2</sup> AMFM-RL7A <u>XX</u> **	DC- <sup>2</sup> BMFC-RL7001

\* XX: Choose the cable length from 01-99m

∨ Accessories > Waterproof Cap



Mating Pair (Gender): Female



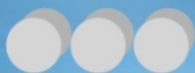
Mating Pair (Gender): Male

5 Choose Connector Gender Male (M) or Female (F)

Size	Mating Pair	Mating Style	Part Number
1"-20UNS	Receptacle	Snap-in With Latch	CAP-WAD 5 RMA1
	Overmolded with Cable	Snap-in With Latch	
	Receptacle and Overmolded with Cable	Snap-in With Latch	

1 — 2 3 4 5 6 — 7 8 9 10

【Note】 Design and specification are subject to change without notice.



**B.C.E. S.r.l.** - Via Regina Pacis, 54/c - I 41049 Sassuolo (MO), Italy

Tel: (+39) 0536 811616 Fax: (+39) 0536 811500 E-mail: [bce@bce.it](mailto:bce@bce.it) Web: [www.bce.it](http://www.bce.it)

