

Vent Connector

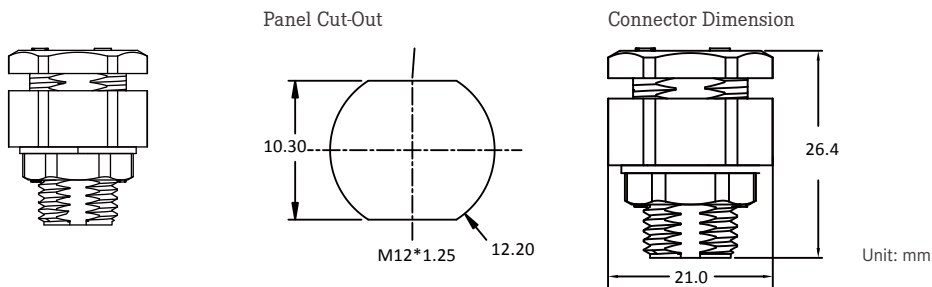


CATALOGUE

Vent Connector

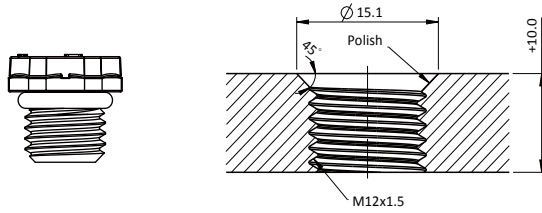


Find Our Standard Products

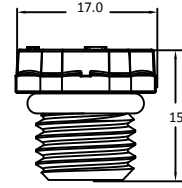


| Part Number | | VENT-BD001 | VENT-BD002 |
|---------------|-------------------------|----------------------------|----------------------------|
| Specification | Assembly Type | Screw M12 x 1.25, With Nut | Screw M12 x 1.25, With Nut |
| | Environment Temperature | -20 ~ 105°C | -20 ~ 105°C |
| | Waterproof Rating | IP67 | IP67 |
| | Air Permeability | 12sec/100cm ³ | 10sec/100cm ³ |
| | Water Entry Pressure | > 100kPa | > 200kPa |
| Material | Housing | PBT+PC | PBT+PC |
| | Membrane | PTFE | PTFE |
| | Sealing | EPDM | EPDM |
| | Housing Color | Black | Black |

Panel Section



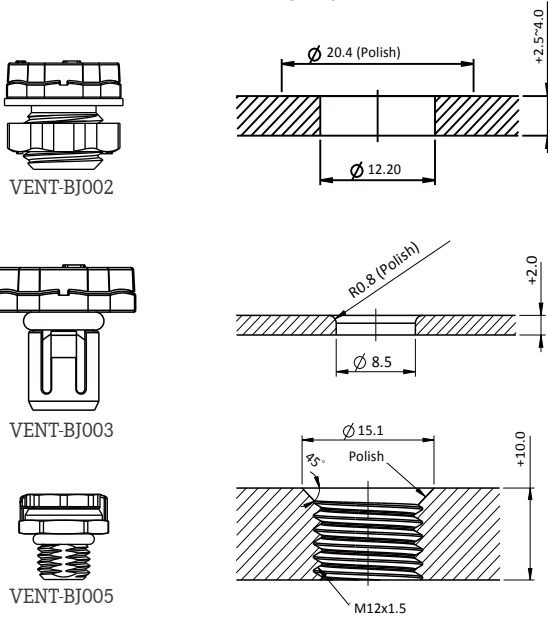
Connector Dimension



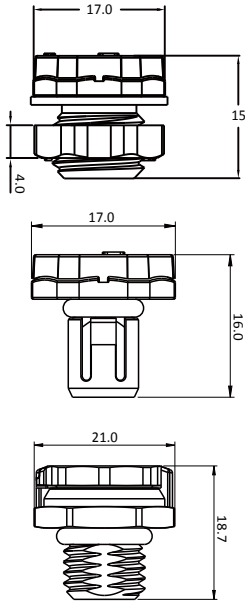
Unit: mm

| Part Number | | VENT-BJ001 | VENT-BJ004 | VENT-BJ006 |
|---------------|-------------------------|---------------------------|---------------------------|---------------------------|
| Specification | Assembly Type | Screw M12x1.5 | Screw M12x1.5 | Screw M12x1.5 |
| | Environment Temperature | -40°C ~ 105°C | -40°C ~ 125°C | -40°C ~ 125°C |
| | Waterproof Rating | IP68(1M · 60mins) / IP69K | IP68(2M · 30mins) / IP69K | IP68(2M · 30mins) / IP69K |
| | Air Permeability | > 260ml/min @70mbar | > 450ml/min @70mbar | > 450ml/min @70mbar |
| | Water Entry Pressure | > 60kPa | > 29kPa | > 29kPa |
| Material | Housing | mPPE | mPPE | PA66 |
| | Membrane | PTFE | PTFE | PTFE |
| | Sealing | Silicone | Silicone | Silicone |
| | Housing Color | Black | Black | Gray |

Panel Section



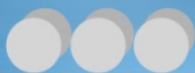
Connector Dimension



Unit: mm

| Part Number | | VENT-BJ002 | VENT-BJ003 | VENT-BJ005 |
|---------------|-------------------------|--------------------------|--------------------------|----------------------|
| Specification | Assembly Type | NUT | Snap-in | Screw M12x1.5 |
| | Environment Temperature | -40°C ~ 105°C | -40°C ~ 105°C | -40°C ~ 105°C |
| | Waterproof Rating | IP68(1M · 60mins), IP69K | IP68(1M · 60mins), IP69K | |
| | Air Permeability | > 260ml/min @70mbar | > 260ml/min @70mbar | > 1760ml/min @70mbar |
| | Water Entry Pressure | > 60kPa | > 60kPa | > 29kPa |
| Material | Housing | mPPE | mPPE | Zinc Alloy |
| | Membrane | PTFE | PTFE | PTFE |
| | Sealing | Silicone | Silicone | Silicone |
| | Housing Color | Black | Black | Silver |

* Design and specification are subject to change without notice.



B.C.E. S.r.l. - Via Regina Pacis, 54/c - I 41049 Sassuolo (MO), Italy

Tel: (+39) 0536 811616 Fax: (+39) 0536 811500 E-mail: bce@bce.it Web: www.bce.it

