

Fiber Optic Connector



CATALOGUE

Fiber Optic Connector



Specification

Identifications	LC Type SC Type
Description	Receptacle Field Installable
Material	Receptacle - Housing: PPO - Screw Nut: Nylon Field Installable - Clamp Ring: PPO - Lock Nut: PPO - Sealing Nut: Nylon
Waterproof Rating	IP67
Temperature Range	Receptacle: -40°C~105°C Field Installable: -40°C~105°C

Ordering Information

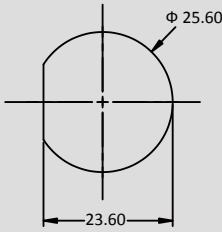
XX - XX X XX X X - X X XXX
 ① - ② ③ ④ ⑤ ⑥ - ⑦ ⑧ ⑨

①	②	③	④	⑤	⑥	⑦	⑧	⑨
(FB) Fiber Optic	(SM) Single - Mode (00) None	(R) Rear Fastened (B) Without Strain Relief	(LM) LC Type / Plug (LF) LC Type / Jack (SM) SC Type / Plug (SF) SC Type / Jack	(J) Put Through (A) Field Installable	(T) 3 Points Lock Bayonet	(C) Circular (L) Straight	(7) IP 67	(001), (002)..... Without Cable : Different Versions

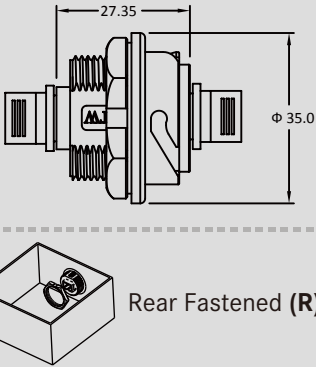
Find Our Standard Products

Receptacle and Mating Pair

• Female Connector (Housing)
• 3 Points Lock Bayonet
Panel Cut-Out

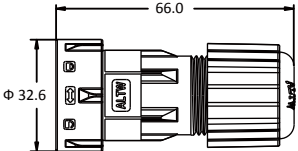


Receptacle



Rear Fastened (R)

Field Installable

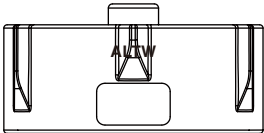


Type	Female Connector (F)	Male Connector (M)
LC Type (L)	FB-00RLFJ-TC7001	FB-00BLMA-TL7001 (Cable OD: 2.5~2.8) FB-00BLMA-TL7002 (Cable OD: 4.5~6.8)
SC Type (S)	FB-SMRSFJ-TC7001	FB-00BSMA-TL7001 (Cable OD: 2.4 max)

Accessories

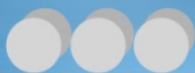
Waterproof Cap

■ Customization - Upon Request



Mating Pair	Mating Style	Mating Pair (Gender)	P/N
Receptacle and Overmolded with Cable	3 Points Lock Bayonet	Female	CAP-WFBFTMA1

[Note] Design and specification are subject to change without notice.



B.C.E. S.r.l. - Via Regina Pacis, 54/c - I 41049 Sassuolo (MO), Italy

Tel: (+39) 0536 811616 Fax: (+39) 0536 811500 E-mail: bce@bce.it Web: www.bce.it

