

IEEE 1394 Connector



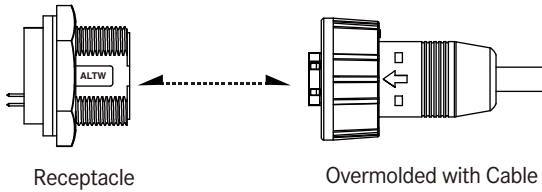
## CATALOGUE

# IEEE 1394 Connector

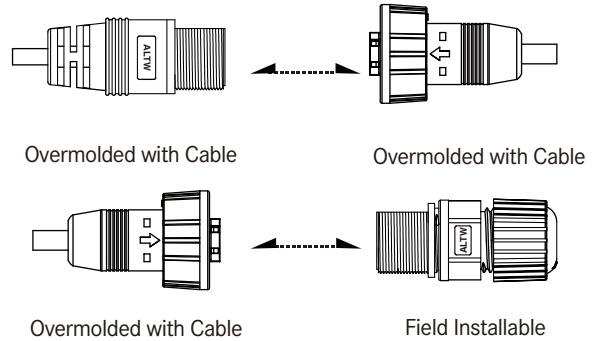


## Range Overview

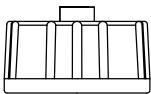
### Receptacle to Overmolded with Cable



### In Line



### Accessories



Waterproof Cap  
See page 21-16

# Specification

<b>Identifications</b>	IEEE 1394
<b>Description</b>	Receptacle Overmolded with Cable Field Installable
<b>Current Rating / Data</b>	1A
<b>Material</b>	Contacts: Copper Alloy, Gold Plated Connector Body (Housing) : PBT UL94V-0
<b>Waterproof Rating</b>	IP67~68
<b>Temperature Range</b>	Receptacle: -20°C~80°C Overmolded with Cable: -20°C~80°C Field Installable: -20°C~80°C
<b>Contact Resistance</b>	≤ 30mΩ Max
<b>Insulation Resistance</b>	≥ 100MΩ at DC500V
<b>Durability</b>	500 cycles
<b>Breakdown Voltage</b>	≥ AC 500V / 1 minute
<b>More to know</b>	Standard Cable Length: 01~04M

\* Design and specification are subject to change without notice.

# Ordering Information

1 — 2 3 4 5 6 — 7 8 9 10

**Specification**

(13) 1394 Connector

**Type**

(AA) 1394A

**Connector Body (Style)**

&gt; For Receptacle

(P) Front Fastened

&gt; For Field installable

(B) Without Strain Relief

&gt; For Overmolded with Cable

(A) With Strain Relief

(B) Without Strain Relief

**Connector (Housing) Gender**

(M) Male Connector

(F) Female Connector

**Contact Gender**

(M) Male (Plug)

(F) Female (Jack)

**Assemble Style**

&gt; For Receptacle

(P) 180° PCB Type

&gt; For Overmolded with Cable

(M) Overmolded with Cable

&gt; For Field Installable

(A) Field installable (Solder)

**Mating Style**

(S) Screw Thread

**Backshell**

&gt; For Receptacle

(C) Circular

&gt; For Field Installable

(L) Straight

&gt; For Overmolded with Cable

(L) Straight

**Waterproof Rating**

(7) IP 67

(8) IP 68

**More Information**

&gt; For Receptacle

(001) Without Cable

 (002) With Cable (Harness  
 (50mm))

&gt; For Overmolded with Cable

(□)+(■) : Cable Type + Cable Length

EX. (A01) = 1394A Cable + 1M

(□) : Cable Type

(A) 1394A Cable

(■) : Cable Length

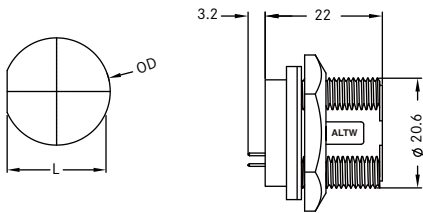
From 1M to 4M

EX. (01) = 1M

## Physical Dimension

### Receptacle

Panel Cut-Out Connector Dimension

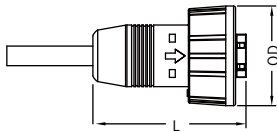


Type	Dimension	L	OD
Connector Gender		Male	
IEEE 1394		19.4	20.8

\* Maximum Panel Thickness: 4mm

Dimensions are shown in millimeters

### Overmolded with Cable

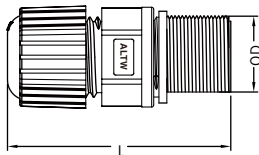


with Strain Relief / Straight

Type	Dimension	L		OD	
Connector Gender		Female	Male	Female	Male
IEEE 1394		42.6	55.0	25.4	20.6

Dimensions are shown in millimeters

### Field Installable

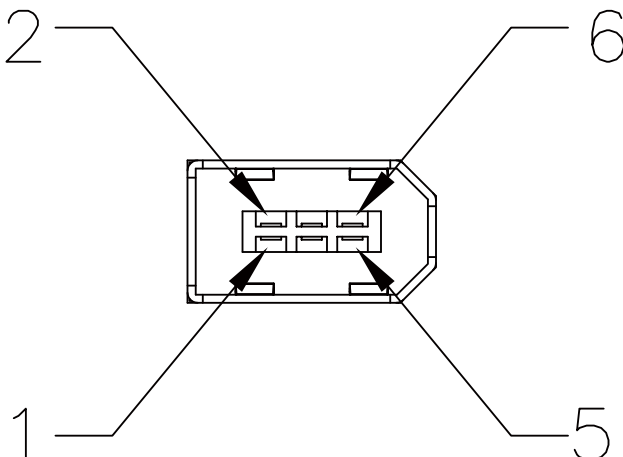


without Strain Relief / Straight

Type	Dimension	L		OD	
Connector Gender		Female	Male	Female	Male
IEEE 1394		-	56.0	-	20.6

Dimensions are shown in millimeters

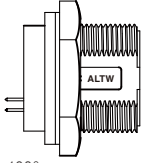
## Contact Configuration



\* Design and specification are subject to change without notice.

# Product Features

## Receptacle



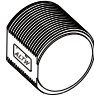
\* PCB Pin 180°

### Backshell 8



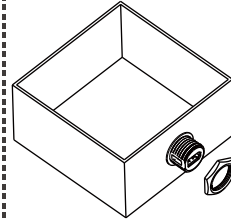
Circular (C)

### Mating Style 7



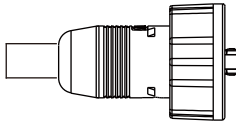
Screw Thread (S)

### Connector Body(Style) 3

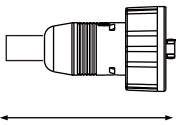


Front Fastened (P)

## Overmolded with Cable



### Backshell 8



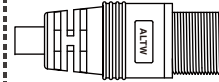
Straight (L)

### Mating Style 7

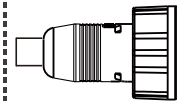


Screw Thread (S)

### Connector Body(Style) 3

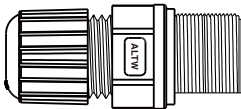


With Strain Relief (A)

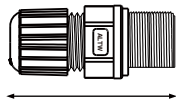


Without Strain Relief (B)

## Field Installable



### Backshell 8



Straight (L)

### Mating Style 7



Screw Thread (S)

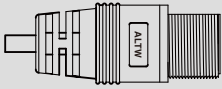
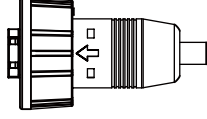
### Connector Body(Style) 3



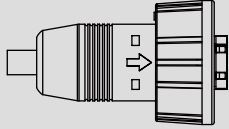
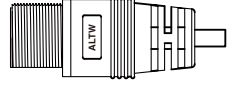
Without Strain Relief (B)

## Find Our Standard Products

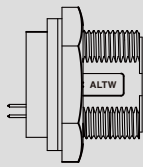
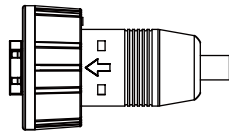
### ↳ In-line

<ul style="list-style-type: none"> <li>• Male Connector (Housing)</li> <li>• Female Contacts</li> <li>• Screw Thread</li> </ul>	Overmolded with Cable → 	Overmolded with Cable → 	Field Installable
	** Choose the cable length from 01~04m		** Choose the cable length from 01~04m
Code	Male Connector (M) Female Contacts (F)	Female Connector (F) Male Contacts (M)	Female Connector (F) Male Contacts (M)
IEEE 1394 A Type (13)	13-AAAMFM-SL7A**	13-AABFMM-SL7A**	-

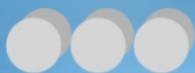
### ↳ In-line

<ul style="list-style-type: none"> <li>• Female Connector (Housing)</li> <li>• Male Contacts</li> <li>• Screw Thread</li> </ul>	Overmolded with Cable → 	Overmolded with Cable → 	Field Installable
	** Choose the cable length from 01~04m		** Choose the cable length from 01~04m
Code	Female Connector (F) Male Contacts (M)	Male Connector (M) Female Contacts (F)	Male Connector (M) Female Contacts (F)
IEEE 1394 A Type (13)	13-AABFMM-SL7A**	13-AAAMFM-SL7A**	13-AABMFA-SL8001

### ↳ Receptacle and Mating Pair

<ul style="list-style-type: none"> <li>• Male Connector (Housing)</li> <li>• Female Contacts</li> <li>• Screw Thread</li> </ul>	Receptacle → 	Overmolded with Cable → 	Field Installable
			** Choose the cable length from 01~04m
Code	Male Connector (M) Female Contacts (F)	Female Connector (F) Male Contacts (M)	Female Connector (F) Male Contacts (M)
IEEE 1394 A Type (13)	13-AAPMFP-SC8001	13-AABFMM-SL7A**	-

\* Design and specification are subject to change without notice.



**B.C.E. S.r.l.** - Via Regina Pacis, 54/c - I 41049 Sassuolo (MO), Italy

Tel: (+39) 0536 811616 Fax: (+39) 0536 811500 E-mail: [bce@bce.it](mailto:bce@bce.it) Web: [www.bce.it](http://www.bce.it)

