

## IEEE 1394 Connector



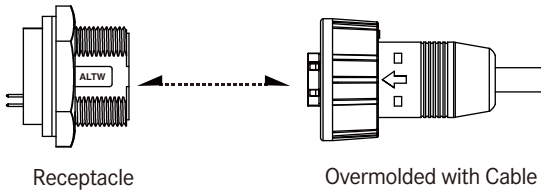
CATALOGUE

# IEEE 1394 Connector

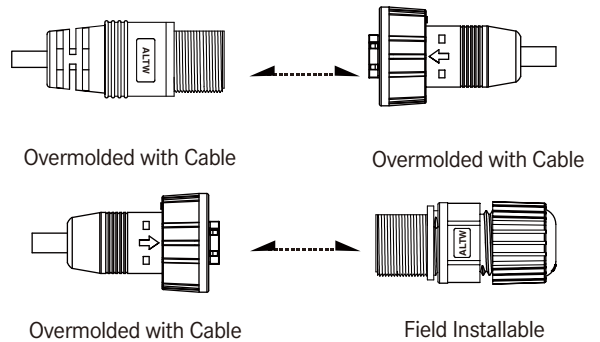


## Range Overview

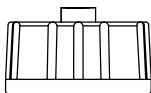
### Receptacle to Overmolded with Cable



### In-Line



### Accessories



Waterproof Cap

# Specification

|                                     |  |
|-------------------------------------|--|
| <b>Identifications</b>              | IEEE 1394  |
| <b>Description</b>                  | Receptacle<br>Overmolded with Cable<br>Field Installable                                     |
| <b>Current Rating / Data</b>        | 1A   |
| <b>Material</b>                     | Contacts: Copper Alloy, Gold Plated<br>Connector Body (Housing) : PBT UL94V-0                |
| <b>Waterproof Rating</b>            | Overmolded with Cable: IP67<br>Receptacle & Field Installable: IP68                          |
| <b>Temperature Range</b>            | Receptacle: -20°C~80°C<br>Overmolded with Cable: -20°C~80°C<br>Field Installable: -20°C~80°C |
| <b>Contact Resistance</b>           | ≤ 30mΩ   |
| <b>Insulation Resistance</b>        | ≥ 100MΩ at DC 100V   |
| <b>Durability</b>                   | 500 cycles   |
| <b>Dielectric Withstand Voltage</b> | ≥ AC 500V / 1 minute   |
| <b>More to know</b>                 | Standard Cable Length: 01~04M  |

【Note】 Design and specification are subject to change without notice.

# Ordering Information

1 — 2 3 4 5 6 — 7 8 9 10

**Specification**

(13) 1394 Connector

**Type**

(AA) 1394A

**Connector Body (Style)**

 > For Receptacle > For Overmolded with Cable

 (P) Front Fastened (A) With Strain Relief

 > For Field installable (B) Without Strain Relief

(B) Without Strain Relief

**Connector (Housing) Gender**

 (M) Male Connector (F) Female Connector
**Contact Gender**

 (M) Male (Plug) (F) Female (Jack)
**Assemble Style**

 > For Receptacle > For Overmolded with Cable > For Field Installable  
 (P) 180° PCB Type (M) Overmolded with Cable (A) Field installable (Solder)
**Mating Style**

(S) Screw Thread

**Backshell**

 > For Receptacle > For Field Installable > For Overmolded with Cable  
 (C) Circular (L) Straight (L) Straight
**Waterproof Rating**

(7) IP 67

(8) IP 68

**More Information**

&gt; For Receptacle

 (001) Without Cable  
 (002) With Cable (Harness  
 (50mm))

&gt; For Overmolded with Cable

 (□)+(■) : Cable Type + Cable Length  
 e.g. (A01) = 1394A Cable + 1M

(□) : Cable Type

(A) 1394A Cable

(■) : Cable Length

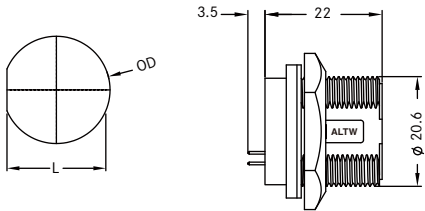
From 1M to 4M

e.g. (01) = 1M

## Physical Dimension

### Receptacle

Panel Cut-Out Connector Dimension



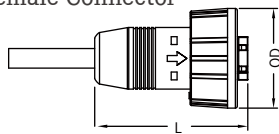
| Type             | Dimension | L    | OD   |
|------------------|-----------|------|------|
| Connector Gender |           | Male |      |
| IEEE 1394        |           | 19.4 | 20.8 |

\* Maximum Panel Thickness: 4mm

Unit: mm

### Overmolded with Cable

Female Connector

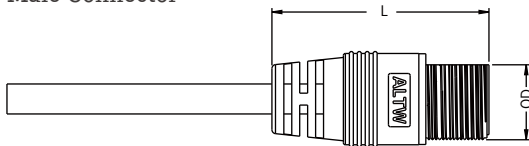


Without Strain Relief

| Type             | Dimension | L      |      | OD     |      |
|------------------|-----------|--------|------|--------|------|
| Connector Gender |           | Female | Male | Female | Male |
| IEEE 1394        |           | 39.0   | 55.0 | 25.4   | 19.0 |

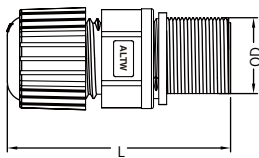
Unit: mm

Male Connector



With Strain Relief

### Field Installable

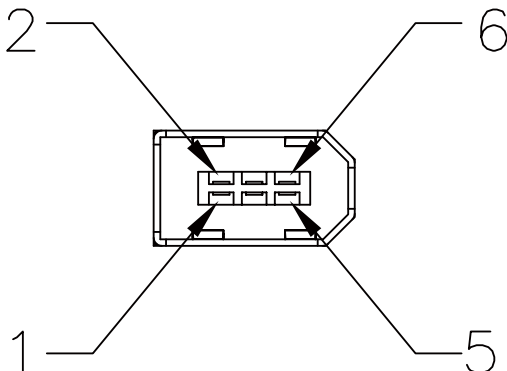


Without Strain Relief / Straight

| Type             | Dimension | L      |      | OD     |      |
|------------------|-----------|--------|------|--------|------|
| Connector Gender |           | Female | Male | Female | Male |
| IEEE 1394        |           | -      | 56.5 | -      | 19.0 |

Unit: mm

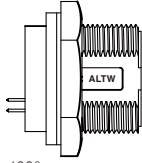
## Contact Configuration



[Note] Design and specification are subject to change without notice.

## Product Features

### Receptacle



\* PCB Pin 180°

#### Backshell 8



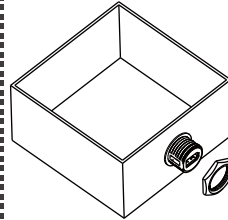
Circular (C)

#### Mating Style 7



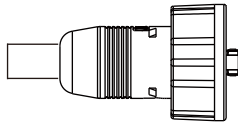
Screw Thread (S)

#### Connector Body(Style) 3

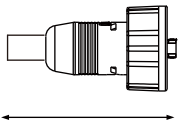


Front Fastened (P)

### Overmolded with Cable



#### Backshell 8



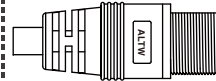
Straight  
(L)

#### Mating Style 7

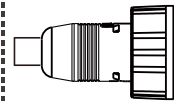


Screw Thread (S)

#### Connector Body(Style) 3

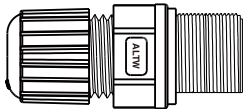


With Strain Relief (A)

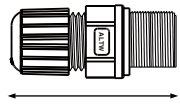


Without Strain Relief (B)

### Field Installable



#### Backshell 8



Straight  
(L)

#### Mating Style 7



Screw Thread (S)

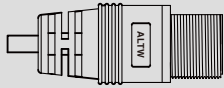
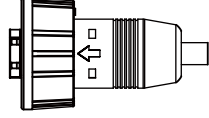
#### Connector Body(Style) 3



Without Strain Relief (B)

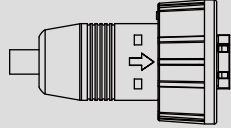
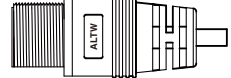
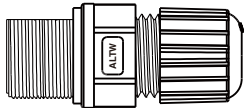
## Find Our Standard Products

### ↘ In-Line

|   |   |   |   |
|---|---|---|---|
| <ul style="list-style-type: none"> <li>• Male Connector (Housing)</li> <li>• Female Contacts</li> <li>• Screw Thread</li> </ul> | Overmolded with Cable   | Overmolded with Cable   | Field Installable                         |
|   |  |  |   |
| Code  | Male Connector (M)<br>Female Contacts (F)   | Female Connector (F)<br>Male Contacts (M)   | Female Connector (F)<br>Male Contacts (M) |
| IEEE 1394 A Type (13)   | 13-AAAMFM-SL7A <del>XX</del> *  | 13-AABFMM-SL7A <del>XX</del> *  | -   |

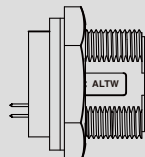
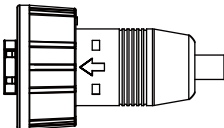
\* ~~XX~~: Choose the cable length from 01~04m

### ↘ In-Line

|   |  |   |   |
|---|--|---|---|
| <ul style="list-style-type: none"> <li>• Female Connector (Housing)</li> <li>• Male Contacts</li> <li>• Screw Thread</li> </ul> | Overmolded with Cable  | Overmolded with Cable   | Field Installable   |
|   |  |  |  |
| Code  | Female Connector (F)<br>Male Contacts (M)  | Male Connector (M)<br>Female Contacts (F)   | Male Connector (M)<br>Female Contacts (F)   |
| IEEE 1394 A Type (13)   | 13-AABFMM-SL7A <del>XX</del> *   | 13-AAAMFM-SL7A <del>XX</del> *  | 13-AABMFA-SL8001  |

\* ~~XX~~: Choose the cable length from 01~04m

### ↘ Receptacle and Mating Pair

|   |   |   |   |
|---|---|---|---|
| <ul style="list-style-type: none"> <li>• Male Connector (Housing)</li> <li>• Female Contacts</li> <li>• Screw Thread</li> </ul> | Receptacle  | Overmolded with Cable   | Field Installable                         |
|   |  |  |   |
| Code  | Male Connector (M)<br>Female Contacts (F)   | Female Connector (F)<br>Male Contacts (M)   | Female Connector (F)<br>Male Contacts (M) |
| IEEE 1394 A Type (13)   | 13-AAPMFP-SC8001  | 13-AABFMM-SL7A <del>XX</del> *  | -   |

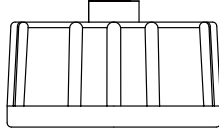
\* ~~XX~~: Choose the cable length from 01~04m

[Note] Design and specification are subject to change without notice.

## Accessories

### Waterproof Cap

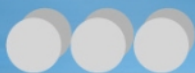
■ Customization - Upon Request



6 More to choose: None (A) / With Chain (B) / With Rubber Lead (C) / With Fish Line (D)

| Type      | Mating Pair                          | Mating Style | Mating Pair (Gender) | P/N            |
|-----------|--------------------------------------|--------------|----------------------|----------------|
| IEEE 1394 | Receptacle                           | Screw Thread | Male                 | CAP-WACMSP 6 1 |
|           | Receptacle and Overmolded with Cable | Screw Thread | Male                 | CAP-WACMSMA1   |





**B.C.E. S.r.l.** - Via Regina Pacis, 54/c - I 41049 Sassuolo (MO), Italy

Tel: (+39) 0536 811616 Fax: (+39) 0536 811500 E-mail: [bce@bce.it](mailto:bce@bce.it) Web: [www.bce.it](http://www.bce.it)

