

## USB Connector



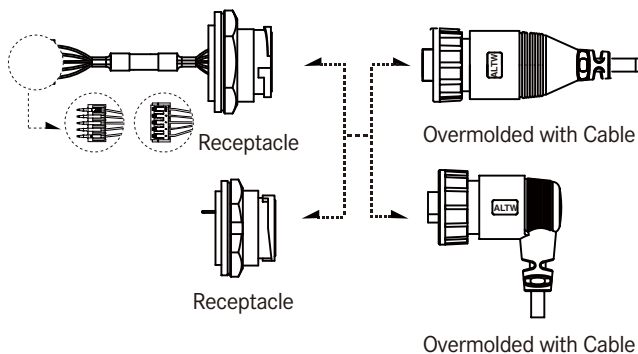
CATALOGUE

# USB Connector

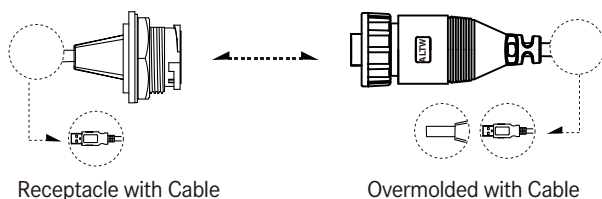


## Range Overview

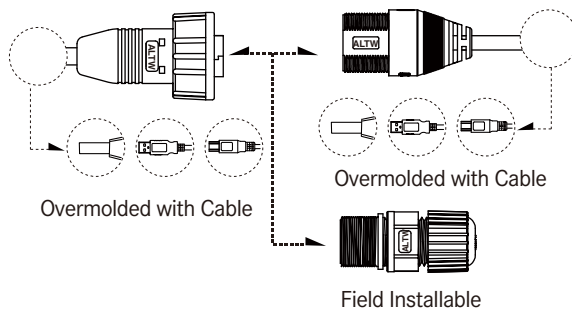
### Receptacle to Overmolded with Cable



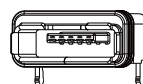
### Receptacle with Cable to Overmolded with Cable



### In Line



### Micro USB



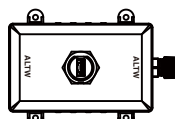
### Accessories



Waterproof Cap  
See page 21-16



Waterproof Cap  
See page 21-16



Box  
See page 21-21

# Specification | USB

<b>Identifications</b>	USB 3.0 A Type USB 2.0 A Type, USB 2.0 B Type Mini USB 2.0 B Type
<b>Description</b>	Receptacle Receptacle With Cable Overmolded with Cable Field Installable
<b>Current Rating / Data</b>	USB 2.0: 1.5A ; USB 3.0: 1A
<b>Material</b>	Contacts: Copper Alloy, Gold Plated Connector Body (Housing) : PBT UL94V-0
<b>Waterproof Rating</b>	IP67~68
<b>Temperature Range</b>	Receptacle: Nylon+GF: -40°C~105°C M-PPE: -40°C~105°C ABS: -20°C~80°C Receptacle with cable: Nylon+GF: -20°C~105°C ABS: -20°C~80°C Overmolded with Cable: -20°C~80°C Field Installable: -20°C~80°C
<b>Contact Resistance</b>	≤ 50mΩ
<b>Insulation Resistance</b>	≥ 1000MΩ at DC100V
<b>Breakdown Voltage</b>	≥ AC500V / 1 minute
<b>More to know</b>	USB 2.0: Standard Cable Length: 01-05M USB 3.0: Standard Cable Length: 01-03M Mini USB: Standard Cable Length: 01-04M

【Note】 Design and specification are subject to change without notice.

# Ordering Information | USB

	<b>1</b>	<b>2</b>	<b>3</b>	<b>4</b>	<b>5</b>	<b>6</b>	<b>7</b>	<b>8</b>	<b>9</b>	<b>10</b>
<b>Specification</b>										
(UA) USB A Type			(NUB) Mini USB B							
(UB) USB B Type										
<b>Data Transfer Rate</b>										
(20) 2.0			(30) 3.0							
<b>Connector Body (Style)</b>										
<u>&gt; For Receptacle</u>			<u>&gt; For Overmolded with Cable</u>							
(P) Front Fastened			(A) With Strain Relief							
<u>&gt; For Field installable</u>			<u>(B) Without Strain Relief</u>							
(B) Without Strain Relief										
<b>Connector (Housing) Gender</b>										
(M) Male			(F) Female							
<b>Contact Gender</b>										
(M) Male (Plug)			(F) Female (Jack)							
<b>Assemble Style</b>										
<u>&gt; For Receptacle</u>			<u>&gt; For Overmolded with Cable</u>							
(P) 180° PCB Type			(M) Overmolded with Cable							
(R) 90° PCB Type			<u>&gt; For Field Installable</u>							
(J) Jack			(A) Field installable (Solder)							
<b>Mating Style</b>										
(S) Screw Thread			(L) 2 Points Lock Bayonet (Nut OD: 28.5mm)							
(N) 2 Points Lock Bayonet (Nut OD: 25.4mm)										
<b>Backshell</b>										
<u>&gt; For Receptacle</u>			<u>&gt; For Overmolded with Cable</u>				<u>&gt; For Field Installable</u>			
(C) Circular			(L) Straight				(L) Straight			
(S) Square			(R) Right Angle							
<b>Waterproof Rating</b>										
(7) IP 67										
(8) IP 68										

**More Information**

<u>&gt; For Receptacle</u>		<u>&gt; For Overmolded with Cable</u>	
(001) Without Cable	(□)+(■) : Cable Type + Cable Length		
(002) With Cable (Harness (50mm))	EX. (A01) = USB 2.0 Cable + 1M		
	<u>(□) : Cable Type</u>	<u>(■) : Cable Length</u>	
	(A) USB 2.0 Cable	USB2.0 :From 1M to 5M	
	(B) USB 3.0 Cable	USB3.0 :From 1M to 3M	
		Mini USB2.0: From 1M to 4M	
		EX. (01) = 1M	

# Ordering Information | USB | Double-ended

ALTW waterproof connector to ALTW waterproof connector

ALTW waterproof connector to Standard USB connector (None Waterproof)

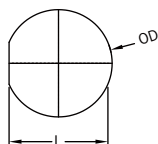
	1	2	3	4	5	6	7	8	9
<b>Specification</b>									
(UA) USB A Type									
(UB) USB B Type									
<b>Data Transfer Rate</b>									
(20) 2.0									
(30) 3.0									
<b>Connector Body (Style)</b>									
> For Receptacle									
(P) Front Fastened									
> For Overmolded with Cable									
(A) With Strain Relief									
(B) Without Strain Relief									
<b>Connector (Housing) Gender</b>									
(M) Male									
(F) Female									
<b>Contact Gender</b>									
(M) Male (Plug)									
(F) Female (Jack)									
<b>Mating Style</b>									
(S) Screw Thread									
(L) 2 Points Lock Bayonet (Nut OD: 28.5mm)									
<b>Non-Waterproof (2ne End)</b>									
(A) USB2.0 A Type (Plug)									
(D) USB3.0 A Type (Plug)									
(B) USB2.0 B Type (Plug)									
<b>Waterproof Rating</b>									
(6) IP 66									
(7) IP 67									
(8) IP 68									
<b>More Information</b>									
<b>&gt; For Receptacle with Cable</b>									
(□)+(■) : Cable Type + Cable Length									
EX. (BX15) = USB 3.0 Cable + 150mm									
(□) : Cable Type									
(B) USB 3.0 Cable									
(■) : Cable Length									
USB3.0 :From 150mm to 300mm									
EX. (15) = 150mm									
<b>&gt; For Overmolded with Cable</b>									
(□)+(■) : Cable Type + Cable Length									
EX. (A01) = USB 2.0 Cable + 1M									
(□) : Cable Type									
(A) USB 2.0 Cable									
(B) USB 3.0 Cable									
(■) : Cable Length									
USB2.0 :From 1M to 5M									
USB3.0 :From 1M to 3M									
EX. (01) = 1M									

【Note】 Design and specification are subject to change without notice.

# Physical Dimension | USB

## Receptacle

Panel Cut-Out



Type		Connector Gender (Housing)	L		OD	
			Male			
USB2.0	Type A	Screw Thread	19.4		20.8	
		2 Points Lock Bayonet	23.6		25.6	
	Type B	Screw Thread	19.4		20.8	
		2 Points Lock Bayonet	23.6		25.6	
USB3.0	Type A	Screw Thread	19.4		20.8	
		2 Points Lock Bayonet	23.6		25.6	
Mini USB	-	Screw Thread	14.8		15.6	

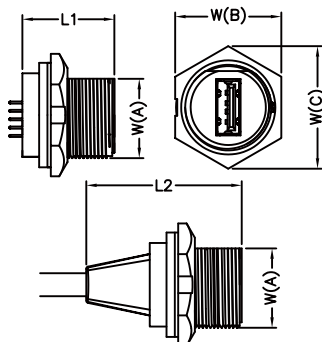
\* Maximum Panel Thickness: USB: 4mm | Mini USB: 2.5mm

Unit: mm

\* USB: Screw | Middle Size (13/16"-28 UNS)  
2 Points Lock Bayonet | Large Size (1"20 UNEF)

\* Mini USB: Screw | Standard Size (5/8"-27 UNS)

Connector Dimension



Receptacle with Cable

Type		Connector Gender (Housing)	W(A)	W(B)	W(C)	L1	L2
			Male				
USB2.0	Type A	Screw Thread	19.0	25.4	29.3	22.0	-
		2 Points Lock Bayonet	23.2	28.5	32.9	20.3	-
	Type B	Screw Thread	19.0	25.4	29.3	22.0	-
		2 Points Lock Bayonet	23.2	28.5	32.9	20.3	-
USB3.0	Type A	Screw Thread	19.0	25.4	29.3	-	37.2
		2 Points Lock Bayonet	23.2	28.5	32.9	-	37.5
Mini USB	-	Screw Thread	14.5	20.6	23.5	15.0	-

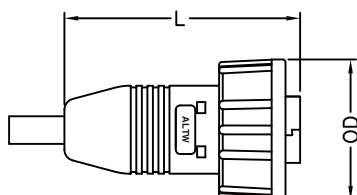
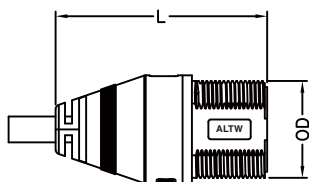
\* USB: Screw | Middle Size (13/16"-28 UNS)

Unit: mm

2 Points Lock Bayonet | Large Size (1"20 UNEF)

\*Mini USB: Screw | Standard Size (5/8"-27 UNS)

## Overmolded with Cable



Type		Connector Gender (Housing)	L		OD	
			Female	Male	Female	Male
USB2.0	Type A	Screw Thread	42.6	45.0	25.4	20.6
		2 Points Lock Bayonet	73.3	-	28.5	-
	Type B	Screw Thread	42.6	45.0	25.4	20.6
		2 Points Lock Bayonet	73.3	-	28.5	-
USB3.0	Type A	Screw Thread	42.6	45.0	42.6	20.6
		2 Points Lock Bayonet	75.0	-	28.5	-
Mini USB	-	Screw Thread	42.6	45.0	20.0	15.45

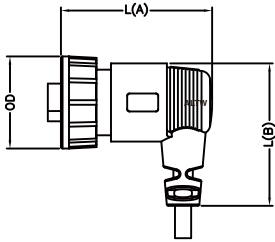
\* USB: Screw | Middle Size (13/16"-28 UNS)

Unit: mm

2 Points Lock Bayonet | Large Size (1"20 UNEF)

\*Mini USB: Screw | Standard Size (5/8"-27 UNS)

➤ Overmolded with Cable

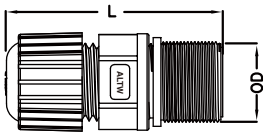


Type	Connector Gender (Housing)	L(A)		L(B)		OD		
		Female	Male	Female	Male	Female	Male	
USB 2.0	Type A	Screw Thread	-	-	-	-	-	-
		2 Points Lock Bayonet	46.8	-	44.1	-	28.5	-
	Type B	Screw Thread	-	-	-	-	-	-
		2 Points Lock Bayonet	46.8	-	44.1	-	28.5	-

\* USB: Screw I Middle Size (13/16"-28 UNS)  
2 Points Lock Bayonet I Large Size (1"20 UNEF)

Unit: mm

➤ Field Installable



Type	Connector Gender (Housing)	L		OD		
		Female	Male	Female	Male	
USB 2.0	Type A	Screw Thread	-	56.0	-	20.6
		2 Points Lock Bayonet	-	-	-	-
	Type B	Screw Thread	-	56.0	-	20.6
		2 Points Lock Bayonet	-	-	-	-
Mini USB	-	Screw Thread	-	45.0	-	15.45

\* USB: Screw I Middle Size (13/16"-28 UNS)  
2 Points Lock Bayonet I Large Size (1"20 UNEF)

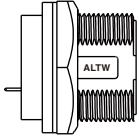
\*Mini USB: Screw I Standard Size (5/8"-27 UNS)

Unit: mm

【Note】 Design and specification are subject to change without notice.

# Product Features | USB

## Receptacle



### Backshell **8**



Circular (C)

### Mating Style **7**



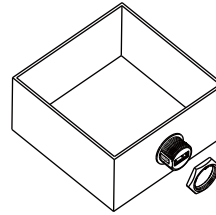
Screw Thread (S)



2 Points Lock Bayonet (L)  
(Nut OD: 28.5mm)

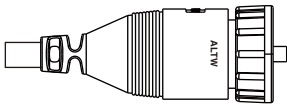
2 Points Lock Bayonet (N)  
(Nut OD: 25.4mm)

### Connector Body (Style) **3**



Front Fastened (P)

## Overmolded with Cable



### Backshell **8**



Straight (L)



Right Angle (R)

### Mating Style **7**



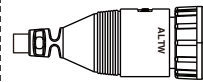
Screw Thread (S)



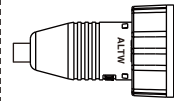
2 Points Lock Bayonet (L)  
(Nut OD: 28.5mm)

2 Points Lock Bayonet (N)  
(Nut OD: 25.4mm)

### Connector Body (Style) **3**

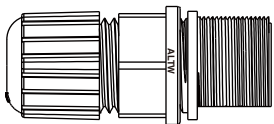


With Strain Relief (A)

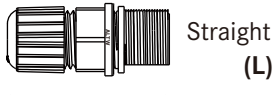


Without Strain Relief (B)

## Field Installable



### Backshell **8**



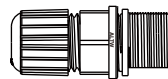
Straight (L)

### Mating Style **7**



Screw Thread (S)

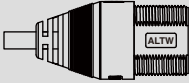
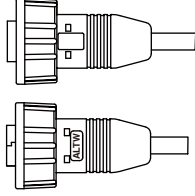
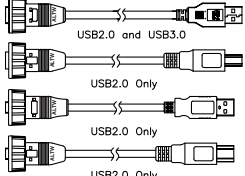
### Connector Body (Style) **3**



Without Strain Relief (B)


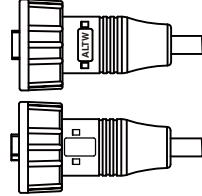
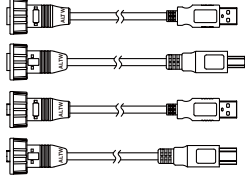
# Find Our Standard Products | USB

## USB > In-line

<ul style="list-style-type: none"> <li>• Male Connector (Housing)</li> <li>• Female Contacts</li> <li>• Screw Thread</li> <li>• Middle Size (13/16"-28 UNS)</li> </ul>	<p>Overmolded with Cable-----&gt;</p>  <p>** USB 2.0: Choose the cable length from 01~05m ** USB 3.0: Choose the cable length from 01~03m</p>	<p>Overmolded with Cable-----&gt;</p>  <p>** USB 2.0: Choose the cable length from 01~05m ** USB 3.0: Choose the cable length from 01~03m</p>	<p>Overmolded with Cable (Double-Ended)</p>  <p>Non-Waterproof</p> <p>** USB 2.0: Choose the cable length from 01~05m ** USB 3.0: Choose the cable length from 01~03m</p>
	Speed (Code)	Male Connector (M) Female Contacts (F)	Female Connector (F) Male Contacts (M)
USB 2.0 Type A	UA-20AMFM-SL7A <u>XX</u> **	UA-20BFMM-SL7A <u>XX</u> **	UA-20BFM-SA7A <u>XX</u> ** UA-20BFM-SB7A**
USB 2.0 Type B	UB-20AMFM-SL7A <u>XX</u> **	UB-20BFMM-SL7A <u>XX</u> **	UB-20BFM-SA7A <u>XX</u> ** UB-20BFM-SB7A**
USB 3.0 Type A	UA-30AMFM-SL7B <u>XX</u> **	UA-30BFMM-SL7B <u>XX</u> **	UA-30BFM-SD7B <u>XX</u> **

\* Refer to P4-4 for ordering information.

## USB > In-line

<ul style="list-style-type: none"> <li>• Male Connector (Housing)</li> <li>• Female Contacts</li> <li>• Screw Thread</li> <li>• Middle Size (13/16"-28 UNS)</li> </ul>	<p>Field Installable -----&gt;</p> 	<p>Overmolded with Cable-----&gt;</p>  <p>** USB 2.0: Choose the cable length from 01~05m</p>	<p>Overmolded with Cable (Double-Ended)</p>  <p>Non-Waterproof</p> <p>** USB 2.0: Choose the cable length from 01~05m</p>
	Speed (Code)	Male Connector (M) Female Contacts (F)	Female Connector (F) Male Contacts (M)
USB 2.0 Type A	UA-20BMFA-SL8001	UA-20BFMM-SL7A <u>XX</u> **	UA-20BFM-SA7A <u>XX</u> ** UA-20BFM-SB7A <u>XX</u> **
USB 2.0 Type B	UB-20BMFA-SL8001	UB-20BFMM-SL7A <u>XX</u> **	UB-20BFM-SA7A <u>XX</u> ** UB-20BFM-SB7A <u>XX</u> **

\* Refer to P4-4 for ordering information.

[Note] Design and specification are subject to change without notice.

USB > In-line

<ul style="list-style-type: none"> <li>• Male Connector (Housing)</li> <li>• Female Contacts</li> <li>• Screw Thread</li> <li>• Middle Size (13/16"-28 UNS)</li> </ul>	<p>Overmolded with Cable (Double-Ended) -----&gt;</p> <p>USB2.0 and USB3.0</p>	<p>Overmolded with Cable (Double-Ended) -----&gt;</p> <p>USB2.0 and USB3.0</p>	<p>Field Installable</p>
	<p>** USB 2.0: Choose the cable length from 01~05m ** USB 3.0: Choose the cable length from 01~03m</p>	<p>** USB 2.0: Choose the cable length from 01~05m ** USB 3.0: Choose the cable length from 01~03m</p>	
Speed (Code)	Male Connector (M) Female Contacts (F)	Female Connector (F) Male Contacts (M)	Female Connector (F) Male Contacts (M)
USB 2.0 Type A	UA-20AMF-SA7A <u>XX</u> ** UA-20AMF-SB7A <u>XX</u> **	UA-20BFM-SA7A <u>XX</u> ** UA-20BFM-SA7A <u>XX</u> **	-
USB 3.0 Type A	UA-30AMF-SD7B <u>XX</u> **	UA-30BFM-SD7B <u>XX</u> **	-
USB 2.0 Type B	UB-20AMFM-SA7A <u>XX</u> ** UB-20AMFM-SB7A <u>XX</u> **	UB-20BFM-SA7A <u>XX</u> ** UB-20BFM-SB7A <u>XX</u> **	-

USB > Receptacle and Mating Pair

<ul style="list-style-type: none"> <li>• Male Connector (Housing)</li> <li>• Female Contacts</li> <li>• Screw Thread</li> <li>• Middle Size (13/16"-28 UNS)</li> </ul>	<p>Receptacle -----&gt;</p> <p>Type 1 Type 2</p>	<p>Overmolded with Cable -----&gt;</p> <p>** Choose the cable length from 01~05m</p>	<p>Overmolded with Cable (Double-Ended)</p> <p>Non-Waterproof</p> <p>** Choose the cable length from 01~05m</p>
	Speed (Code)	Male Connector (M) Female Contacts (F)	Female Connector (F) Male Contacts (M)
USB 2.0 Type A	UA-20PMFP-SC8001 UA-20PMFP-SC8002 Type1 UA-20PMFP-SC8003 Type2	UA-20BFMM-SL7A <u>XX</u> **	UA-20BFM-SA7A <u>XX</u> ** UA-20BFM-SB7A <u>XX</u> **
USB 2.0 Type B	UB-20PMFP-SC8001 UB-20PMFP-SC8002 UB-20PMFP-SC8003	UB-20BFMM-SL7A <u>XX</u> **	UB-20BFM-SA7A <u>XX</u> ** UB-20BFM-SB7A <u>XX</u> **

↳ USB > Receptacle and Mating Pair

<ul style="list-style-type: none"> <li>• Male Connector (Housing)</li> <li>• Female Contacts</li> <li>• 2 Points Lock Bayonet (Nut OD: 28.5mm)</li> <li>• Large Size (1" 20 UNEF)</li> </ul>	<p>Receptacle</p> <p>Type 1    Type 2</p>	<p>Overmolded with Cable</p> <p>** Choose the cable length from 01~05m</p>	<p>Field Installable</p>												
	<table border="1"> <tr> <th>Speed (Code)</th> <th>Male Connector (M) Female Contacts (F)</th> <th>Female Connector (F) Male Contacts (M)</th> <th>Female Connector (F) Male Contacts (M)</th> </tr> <tr> <td>USB 2.0 Type A</td> <td>UA-20PMFP-LC7001 UA-20PMFP-LC7002 Type1 UA-20PMFP-LC7003 Type2</td> <td>UA-20AFMM-LL7AXX** UA-20AFMM-LR7AXX**</td> <td>-</td> </tr> <tr> <td>USB 2.0 Type B</td> <td>UB-20PMFP-LC7001 UB-20PMFP-LC7002 UB-20PMFP-LC7003</td> <td>UB-20AFMM-LL7AXX** UB-20AFMM-LR7AXX**</td> <td>-</td> </tr> </table>	Speed (Code)	Male Connector (M) Female Contacts (F)	Female Connector (F) Male Contacts (M)	Female Connector (F) Male Contacts (M)	USB 2.0 Type A	UA-20PMFP-LC7001 UA-20PMFP-LC7002 Type1 UA-20PMFP-LC7003 Type2	UA-20AFMM-LL7AXX** UA-20AFMM-LR7AXX**	-	USB 2.0 Type B	UB-20PMFP-LC7001 UB-20PMFP-LC7002 UB-20PMFP-LC7003	UB-20AFMM-LL7AXX** UB-20AFMM-LR7AXX**	-		
Speed (Code)	Male Connector (M) Female Contacts (F)	Female Connector (F) Male Contacts (M)	Female Connector (F) Male Contacts (M)												
USB 2.0 Type A	UA-20PMFP-LC7001 UA-20PMFP-LC7002 Type1 UA-20PMFP-LC7003 Type2	UA-20AFMM-LL7AXX** UA-20AFMM-LR7AXX**	-												
USB 2.0 Type B	UB-20PMFP-LC7001 UB-20PMFP-LC7002 UB-20PMFP-LC7003	UB-20AFMM-LL7AXX** UB-20AFMM-LR7AXX**	-												

↳ USB > Receptacle and Mating Pair

<ul style="list-style-type: none"> <li>• Male Connector (Housing)</li> <li>• Female Contacts</li> <li>• 2 Points Lock Bayonet (Nut OD: 25.4mm)</li> <li>• Large Size (13/16-28 UN)</li> </ul>	<p>Receptacle</p>	<p>Overmolded with Cable</p> <p>** Choose the cable length from 01~05m</p>	<p>Field Installable</p>								
	<table border="1"> <tr> <th>Speed (Code)</th> <th>Male Connector (M) Female Contacts (F)</th> <th>Female Connector (F) Male Contacts (M)</th> <th>Female Connector (F) Male Contacts (M)</th> </tr> <tr> <td>USB 2.0 Type A</td> <td>UA-20PMFJ-NC7001</td> <td>UA-20BFMM-NL7AXX**</td> <td>-</td> </tr> </table>	Speed (Code)	Male Connector (M) Female Contacts (F)	Female Connector (F) Male Contacts (M)	Female Connector (F) Male Contacts (M)	USB 2.0 Type A	UA-20PMFJ-NC7001	UA-20BFMM-NL7AXX**	-		
Speed (Code)	Male Connector (M) Female Contacts (F)	Female Connector (F) Male Contacts (M)	Female Connector (F) Male Contacts (M)								
USB 2.0 Type A	UA-20PMFJ-NC7001	UA-20BFMM-NL7AXX**	-								

【Note】 Design and specification are subject to change without notice.

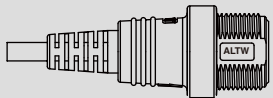
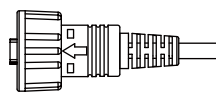
**USB**

Receptacle with Overmolded Cable and Mating Pair  
 2 Points Lock Bayonet  
 Large Size

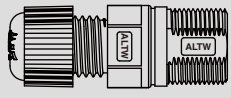
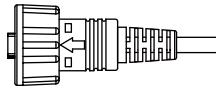
➤ **USB > Receptacle with Overmolded Cable and Mating Pair**

<ul style="list-style-type: none"> <li>• Male Connector (Housing)</li> <li>• Female Contacts</li> <li>• Screw Thread</li> <li>• 2 Points Lock Bayonet (Nut OD: 28.5mm)</li> <li>• Large Size (1"20 UNEF)</li> </ul>	<p>Receptacle with Cable (Double-Ended)</p> <p>Non-Waterproof</p> <p>** USB 3.0: Choose the cable length from 150~300mm</p>	<p>Overmolded with Cable</p>	<p>Overmolded with Cable (Double-Ended)</p> <p>** USB 3.0: Choose the cable length from 01~03m</p>
	<p>Speed (Code)</p>	<p>Male Connector (M) Female Contacts (F)</p>	<p>Female Connector (F) Male Contacts (M)</p>
<p>USB 3.0 Type A</p>	<p>UA-30PMF-LD7BXX* UA-30PMF-SD7BXX*</p>	<p>UA-30AFMM-LL7BXX** UA-30BFMM-SL7BXX**</p>	<p>UA-30BFM-SD7BXX** UA-30AFM-LD7BXX**</p>

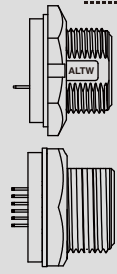
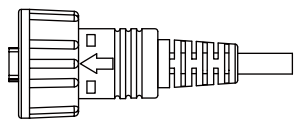
↳ **Mini USB > In-line**

<ul style="list-style-type: none"> <li>• Male Connector (Housing)</li> <li>• Female Contacts</li> <li>• Screw Thread</li> <li>• Standard Size (5/8"-27 UNS)</li> </ul>	<p>Overmolded with Cable-----&gt;</p>  <p>** Choose the cable length from 01~04m</p>	<p>Overmolded with Cable -----&gt;</p>  <p>** Choose the cable length from 01~04m</p>	<p>Field Installable</p>
	Speed (Code)	Male Connector (M) Female Contacts (F)	Female Connector (F) Male Contacts (M)
Mini USB 2.0 Type B	NUB-20AMFM-SL7AXX**	NUB-20AFMM-SL7AXX**	-

↳ **Mini USB > In-line**

<ul style="list-style-type: none"> <li>• Male Connector (Housing)</li> <li>• Female Contacts</li> <li>• Screw Thread</li> <li>• Standard Size (5/8"-27 UNS)</li> </ul>	<p>Field Installable -----&gt;</p> 	<p>Overmolded with Cable -----&gt;</p>  <p>** Choose the cable length from 01~04m</p>	<p>Field Installable</p>
	Speed (Code)	Male Connector (M) Female Contacts (F)	Female Connector (F) Male Contacts (M)
Mini USB 2.0 Type B	NUB-20BMFA-SL7001	NUB-20AFMM-SL7AXX**	-

↳ **Mini USB > Receptacle and Mating Pair**

<ul style="list-style-type: none"> <li>• Male Connector (Housing)</li> <li>• Female Contacts</li> <li>• Screw Thread</li> <li>• Standard Size (5/8"-27 UNS)</li> </ul>	<p>Receptacle -----&gt;</p> 	<p>Overmolded with Cable -----&gt;</p>  <p>** Choose the cable length from 01~04m</p>	<p>Field Installable</p>
	Speed (Code)	Male Connector (M) Female Contacts (F)	Female Connector (F) Male Contacts (M)
Mini USB 2.0 Type B	NUB-20PMFP-SC7001 NUB-20PMFR-SC7001	NUB-20AFMM-SL7AXX**	-

【Note】 Design and specification are subject to change without notice.

## Specification | Micro USB

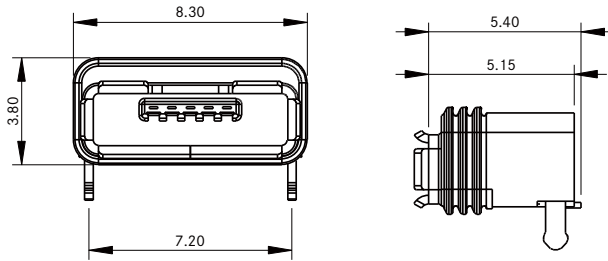
<b>Identifications</b>	Micro USB: AB Type
<b>Description</b>	Receptacle
<b>Current Rating</b>	1pin & 5pin: 1.8A 2pin, 3pin & 4pin: 1A
<b>Materials</b>	Contacts: Copper Alloy, Gold Plated Connector Body (Housing): Nylon, Black Shell: Stainless, Gold Plated Inner Gasket: Silicone, Transparent Outside Gasket: Silicone, Transparent
<b>Waterproof Rating</b>	IP67/68
<b>Temperature Range</b>	-30°C ~ 85°C
<b>Contact Resistance</b>	≤30mΩ
<b>Insulation Resistance</b>	≥ 1000MΩ at 100Vdc
<b>Durability</b>	10,000 Cycles
<b>More to Know</b>	SMT Temperature & Time: 260°C/5Sec

# Ordering Information | Micro USB

	1	2	3	4	5	6	7	8	9	10
<b>Specification</b> (MUC) Micro USB										
<b>Data Transfer Rate</b> (20) 2.0										
<b>Connector Body (Style)</b> > For Receptacle (P) Front Fastened										
<b>Connector (Housing) Gender</b> (F) Female										
<b>Contact Gender</b> (F) Female (Jack)										
<b>Assemble Style</b> > For Receptacle (R) 90° PCB Type										
<b>Mating Style</b> (J) For Joint										
<b>Backshell</b> > For Receptacle (S) Square										
<b>Waterproof Rating</b> (70) IP67 (1M depth of water in 30min) (8A) IP68 (1M depth of water in 24hrs) (8B) IP68 (5M depth of water in 24hrs) (8C) IP68 (10M depth of water in 3hrs)										
<b>More information</b> (02), (03).... Without Cable: Different Versions										

【Note】 Design and specification are subject to change without notice.

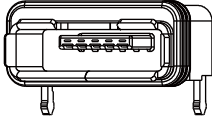
## Physical Dimension | Micro USB



Unit: mm

## Find Our Standard Products | Micro USB

### Micro USB

	
Waterproof Rating	Part Number
IP67 (1M, 30mins)	MUC-20PFFR-JS7002
IP68 (1M, 24hrs)	MUC-20PFFR-JS8A02
IP68 (5M, 24hrs)	MUC-20PFFR-JS8B02
IP68 (10M, 3hrs)	MUC-20PFFR-JS8C02

【Note】 Design and specification are subject to change without notice.



**B.C.E. S.r.l.** - Via Regina Pacis, 54/c - I 41049 Sassuolo (MO), Italy

Tel: (+39) 0536 811616 Fax: (+39) 0536 811500 E-mail: [bce@bce.it](mailto:bce@bce.it) Web: [www.bce.it](http://www.bce.it)

