



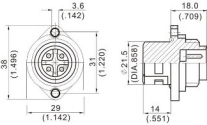
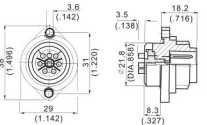
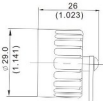
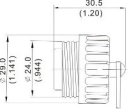
Spec		
No. of contacts	3+PE	6+PE
Termination	Screw	Solder
Wire gauge	Ma x 2.5mm ² ;AWG14	ma x 0.75mm ² ;AWG18
Rated insulation voltage	400V	250V
Rated current A	16A	10A
Pollution degree	3	3
Installation category	III	III
IP Rating	IP 67	IP 67



● WA22 Circular connector series dimensions

Part Number	Drawing	No,of cont.	Description
WA22J4TE2		3+PE	Male cable connector, 3+PE screwtermination, 6+PE solder termination , with strain relief.
WA22J7TE1		6+PE	
WA22K4Z2		3+PE	Female receptacle, screw termination,
WA22K7Z1		6+PE	Female receptacle, solder termination,
WA22K4ZE2		3+PE	Female cable connector, 3+PE screwtermination, 6+PE solder termination , with strain relief.

● WA22 Circular connector series dimensions

Part no. Cable outlet*	Drawing	No. of cont.	Description
WA22J4Z2		3+PE	Male receptacle, screw termination
WA22J7Z1		6+PE	Male receptacle, solder termination
WA22G1			Protective cap for male cable connector and receptacle
WA22G2			Protective cap for female cable connector and receptacle